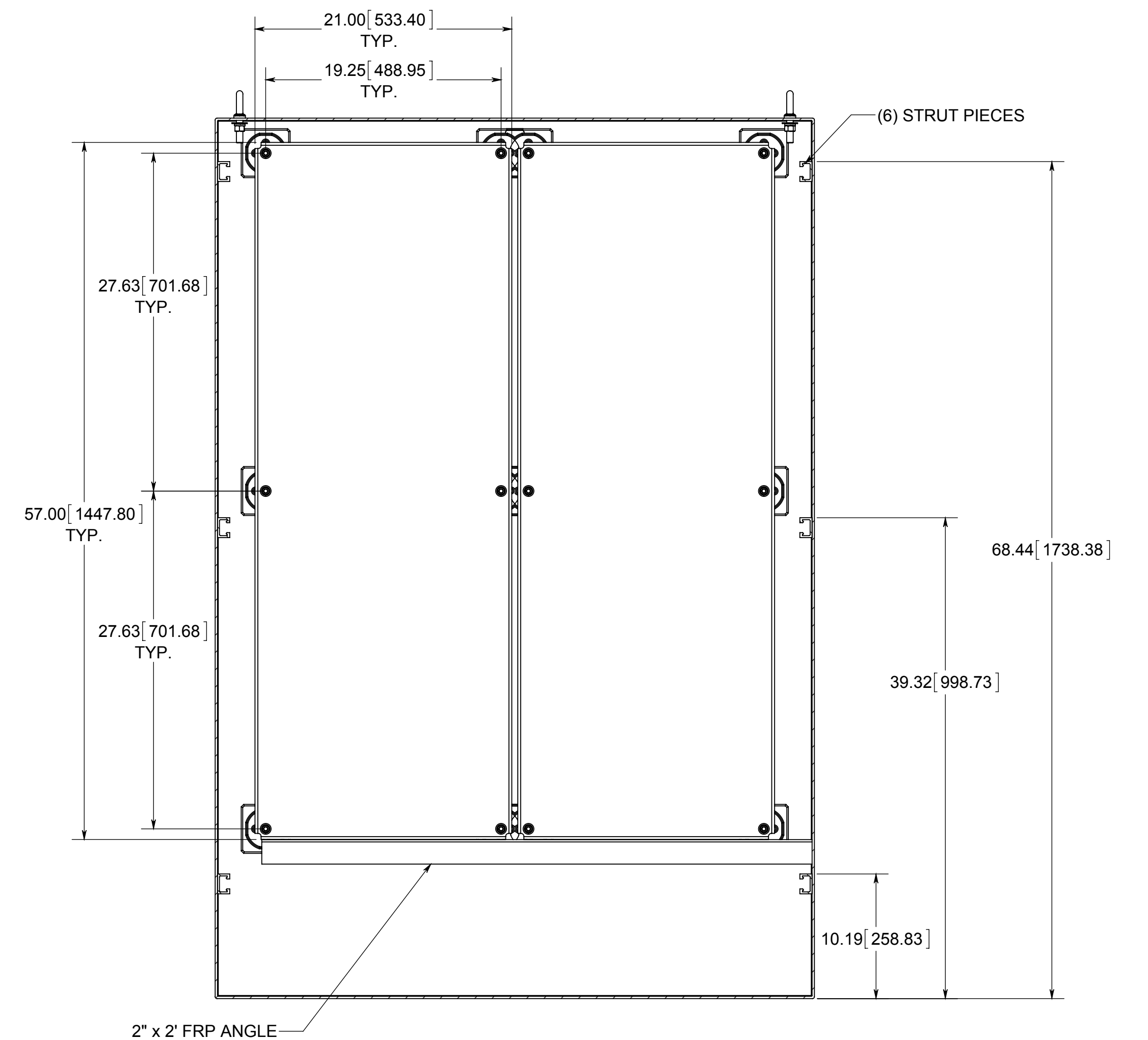


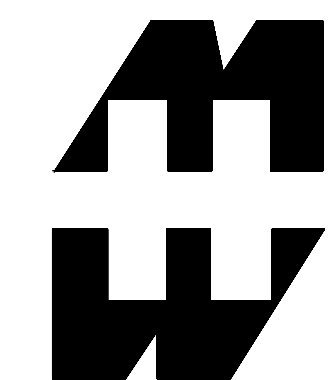
FRONT VIEW WITH DOORS AND HARDWARE REMOVED



MATERIAL:

BOX- GEL-COAT, FIBERGLASS, POLYESTER RESIN
COVER- GEL-COAT, FIBERGLASS, POLYESTER RESIN
EPDM GASKET SEAL

STAINLESS STEEL
3 POINT LATCH HANDLE
(PADLOCK PROVISIONED)



PART No. PJFS724925DD

for more information visit
www.hammfg.com
Data subject to change without notice

Drawing Not to Scale