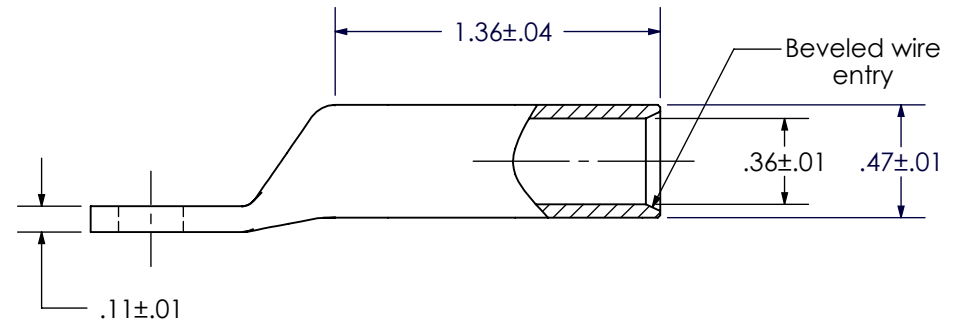
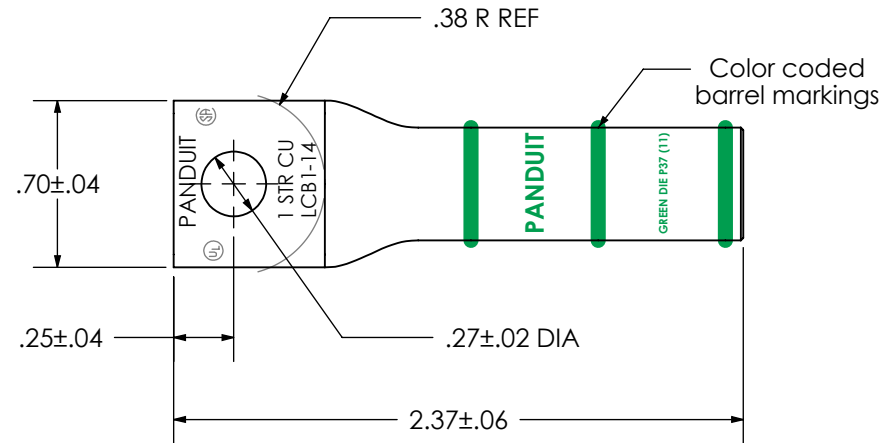


THIS COPY IS PROVIDED ON A RESTRICTED BASIS AND IS NOT TO BE USED IN ANY WAY DETRIMENTAL TO THE INTERESTS OF PANDUIT CORP.

Material	High Conductivity Seamless Copper Tube
Plating	Electro-Tin
Wire Size	1 AWG
Wire Type	Stranded Copper; Class B: Compact, Compressed or Concentric, Class C: Concentric
Wire Strip Length	1-7/16 in.
Stud Size	1/4 in.
UL Listed Wire Connector	Yes, for applications up to 35kv. Consult cable manufacturer for voltage stress relief instructions with applications greater than 2000 volts.
UL Temperature Rating	90° C
C.S.A Certified Wire Connector	Yes
Panduit Color Code on Barrel	GREEN
Panduit Die Index No. on Barrel	P37
Alternate Industry Die Index No. () on Barrel	(11)



00	5/13	JHNU	JHNU	DRAWING RELEASED	13J051BA-LCB1-14-CUST	RGB	RGB
REV	DATE	BY	CHK	DESCRIPTION	ECN	SUP	SCALE
							N/A

PANDUIT CORP. TINLEY PARK, ILLINOIS

LCB1-14-E
Copper Lug - One-Hole, Long Barrel

DRAWING NO / CAD FILE
LCB1-14-CUST