

1

2

3

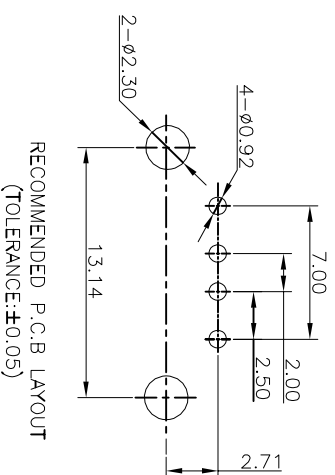
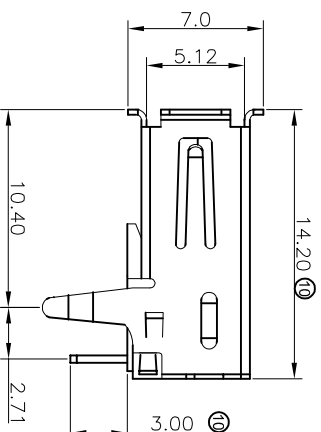
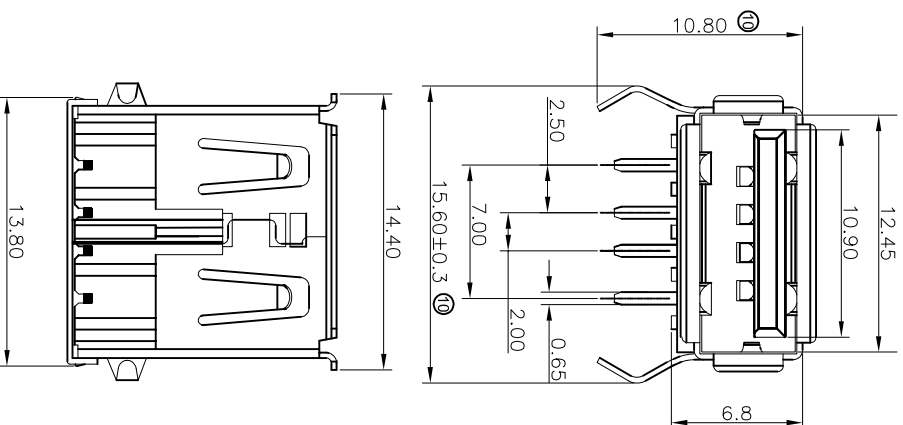
4

5

6

7

# ⑩ ⑨ USB 2.0 COMPLIANT



## NOTES:

1. Material:
  - 1.1 Housing: PBT+30%GF UL94V-0, Color Black
  - 1.2 Shell: Brass
  - 1.3 Contact :Phosphor Bronze
2. FINISH:
  - 2.1 Contact Area: Gold Flash
  - Solder Area: Tin Plated
  - Under: Ni Plated
3. MECHANICAL:
  - 3.1 Mating Force: 3.57kgf Max.
  - 3.2 Unmating Force: 1.02kgf Min
  - 3.3 Durability: 1500 cycles Min
4. ELECTRICAL:
  - 4.1 Current Rating: 1.5A
- ⑩ ⑨ 4.2 Dielectric Strength: 1KV AC FOR 1 MINUTE
- 4.3 Contact Resistance: 30mΩ Max
- 4.4 Insulation Resistance: 1000 MΩ Min
5. Operating temperature: -55°C TO +85°C
6. PACKING: Tray

## RoHS compliant

Unit: mm

Scale	Free	⑫	Update the dielectric Strength	21.01.2016	Winnie		Date	Name	Customer-No.
<b>TOLERANCE</b>		⑬	Update to "USB 2.0 COMPLIANT"	19.08.2013	Amy	Drawn	16.05.2007	Helwig	ASSMANN WSW-No. A-USBSA
X.X	±0.30	⑭	Update	07.06.2013	Winnie	Approved	21.01.2016	Winnie	
X.XX	±0.20	⑮	Add "USB 2.0"	18.02.2013	Amy				Drawing-No. ASS 1122C CO
X.XXX	±0.10	⑯	Plant change and tiny appearance diff.	02.05.2011	Lucas				
ANG.	±1°	⑰	Add the mating drawing	25.06.2011	Rale				
Angle	TOL	⑱	Modification						

**ASSMANN**  
components

1

2

3

4

5

6

7

SV130