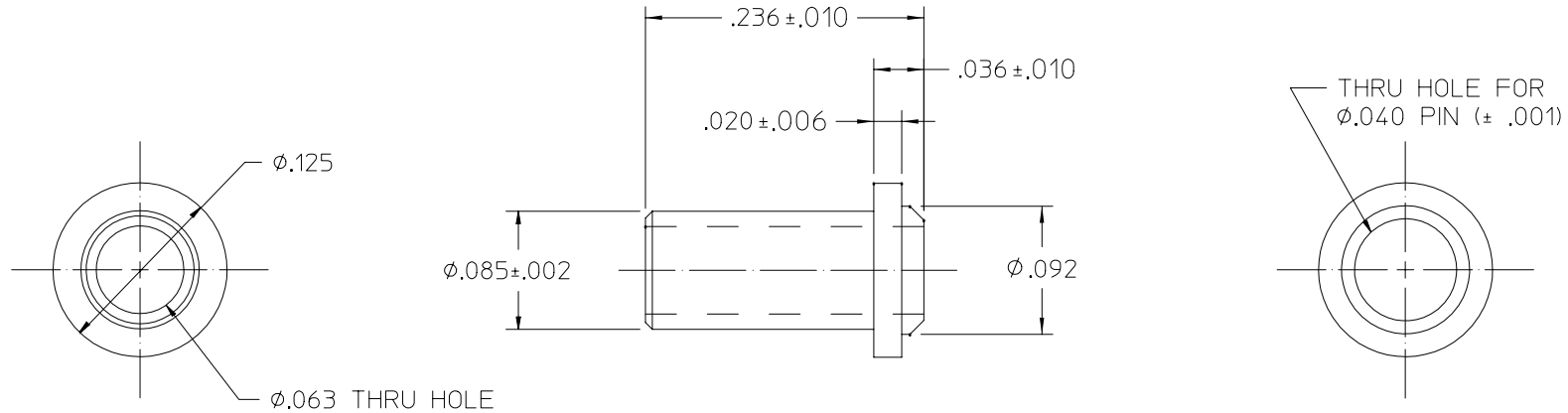


VICOR CONFIDENTIAL


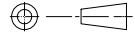
THIS DOCUMENT AND THE DATA DISCLOSED
HEREIN OR HEREWITH IS NOT TO BE REPRODUCED,
USED, OR DISCLOSED IN WHOLE OR IN PART
TO ANYONE WITHOUT PERMISSION OF VICOR CORP.

REV.	DESCRIPTION	DATE	APPROVED
1	RELEASED PER E050355	LEK 11/17/05	EF
2	REVISED PER E064280	PEI 02/23/06	ECF
3	REVISED PER E064291	PEI 03/20/06	MH



NOTES:

1. MATERIAL: BRASS QQ-B-626 ALLOY 360 1/2 HARD; ELECTRO-TIN PER ASTM B 545, OVER .0001 NICKEL PLATING, WITH BERYLLIUM COPPER SPRING INSERT CAPTIVATED.
2. CONCORD P/N 09-9002-1-06 OR APPROVED EQUIV.
3. PARTS SHALL MEET SOLDERABILITY REQUIREMENTS PER MIL-STD-202, METHOD 208 AFTER EXPOSURE TO 8 HRS STEAM AGING PER MIL-STD-883, METHOD 2003.
4. RoHS COMPLIANT, LEAD FREE PER CST-0001 LATEST REVISION.

DRAWN BY <i>P.E.IENI</i>		DATE 05/18/05		 SOCKET, PIN .040 DIA. PC	
<small>UNLESS OTHERWISE SPECIFIED DIMENSIONS ARE IN INCHES- TOLERANCES ARE: FRACTIONS DECIMALS ANGLES +1/64 XX= +.01 ±1° .XXX=+.005</small>					
THIRD ANGLE PROJECTION 		SIZE B	FSCM NO. 67131	DWG NO 30074	REV 3
DO NOT SCALE DRAWING			SCALE NONE	SHEET 1 OF 1	