

PART NUMBER	REV	FIRST USED	TERMINATOR	FEED TYPE	DESCRIPTION
1426281-1	L	-	LEADMAKER	MECH POST FEED	CUTS CARRIER
1426281-2	L	-	BENCH	MECH PRE FEED	CUTS CARRIER
1426281-6	L	-	LEADMAKER	MECH POST FEED	CONTINUOUS CARRIER
7-1426281-1	L	-	LEADMAKER	MECH POST FEED	-1 AND SPARE PARTS
7-1426281-2	L	-	BENCH	MECH PRE FEED	-2 AND SPARE PARTS
7-1426281-6	L	-	LEADMAKER	MECH POST FEED	-6 AND SPARE PARTS
7-1426281-7	H	-	LEADMAKER	-	SPARE PARTS KIT FOR -1/-6/7-1/7-6
7-1426281-8	H	-	BENCH	-	SPARE PARTS KIT FOR -2 & 7-2

CRIMP	SIZE	TYPE	RANGE
WIRE	1.57 [.062 IN]	F	20 AWG or 0.50-0.75mm ²
INSUL	1.83 [.072 IN]	SPECIAL	1.40-1.90 [.055-.075 IN]
WIRE STRIP LENGTH 3.00-3.60 [.118-.142 IN] APPL INSTRUCTION 408-8322			

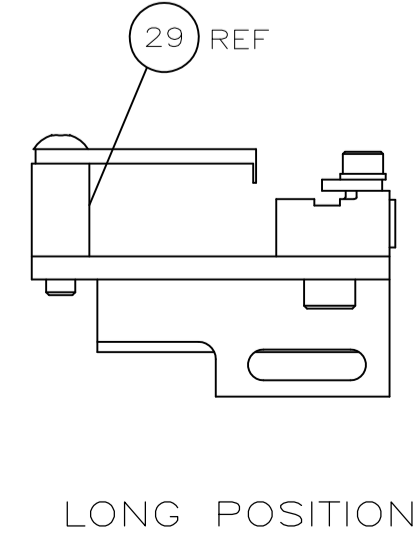
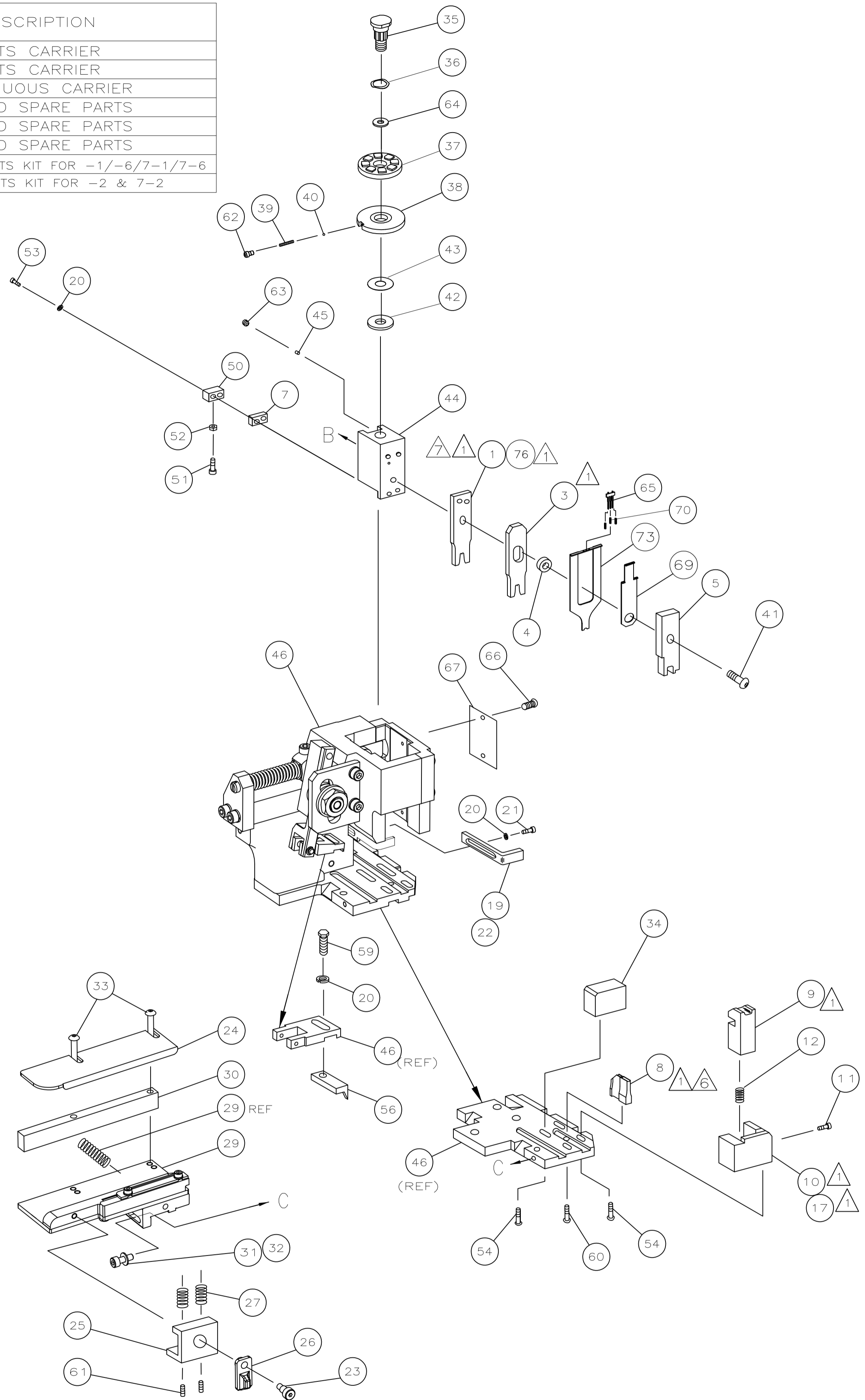
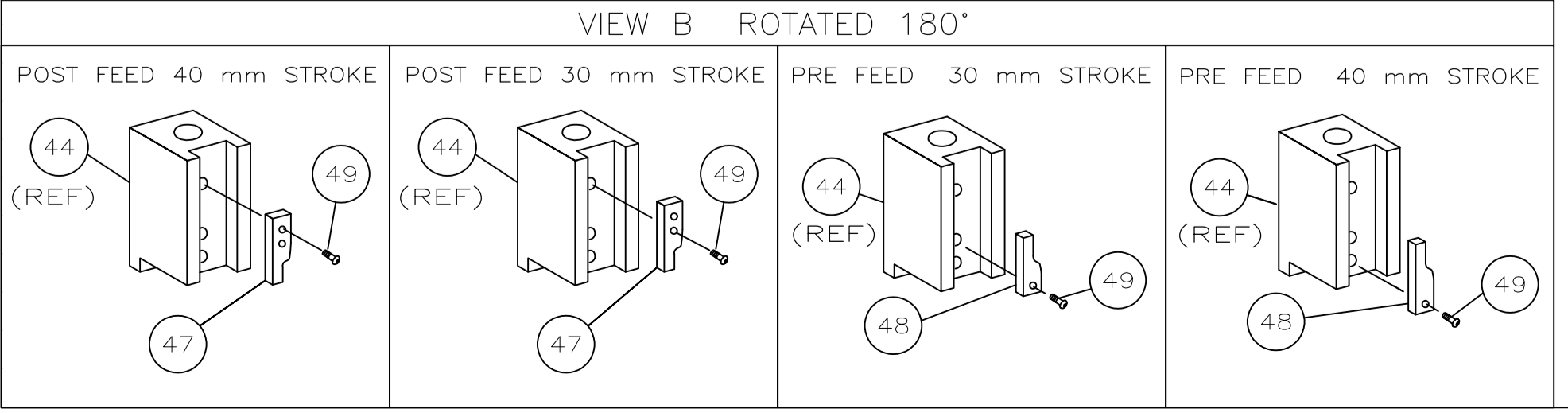
TERMINAL APPL SPEC	FEED
114-18464	7.50 [.295 IN]

TERMINALS APPLIED			
1394897	-	-	-
-	-	-	-
-	-	-	-
-	-	-	-
-	-	-	-
-	-	-	-

WIRE SIZE mm ² AWG	CRIMP HEIGHT	PIN PN AND LENGTH [IN]
0.75mm ²	1.09 ±0.03 [.043 ±.001 IN]	1-354779-7 [.3075]
0.50mm ²	0.98 ±0.03 [.039 ±.001 IN]	2-354779-5 [.3115]
20 AWG	0.98 ±0.03 [.039 ±.001 IN]	2-354779-5 [.3115]

SET UP GAGE	LAYOUT
458637-3	L1426281

- RECOMMENDED SPARE PARTS.
- GREASE RAM, CAM, CAM FOLLOWER AND FEED ROD LIGHTLY.
- LUBRICATE DAILY PER THE APPLICATOR INSTRUCTION SHEET SUPPLIED WITH THE APPLICATOR.
- THIS APPLICATOR HAS BEEN DESIGNED TO APPLY WIRES WITH THIN-WALL (FLR) INSULATION.
- MAXIMUM INSULATION CRIMP WIDTH 2.05mm & MAXIMUM INSULATION CRIMP HEIGHT 2.05mm. SEE APPLICATION SPECIFICATION TO CLARIFY.
- DUE TO THE DEMANDS OF APPLICATION SPEC 114-18464 IT IS IMPORTANT, IF THE ANVIL IS MOVED OR REPLACED, THAT IT IS BIASED TOWARDS THE OPERATOR'S POSITION AS FAR AS POSSIBLE WHEN RE-SECURING TO THE BASE PLATE.



QTY	REQD	PER	ASSY	PART NO	DESCRIPTION	ITEM NO					
1	-	1	2	-	2	1	-	1	1-1752057-4	CRIMPER, WIRE, STEPPED	76
-	-	1	1	1	1	1	1	1	1490525-6	DEPRESSOR, WIRE	73
-	-	1	1	1	1	1	1	1	1426281	PRINT, APPLICATOR LOG SHEET	72
-	-	1	1	1	1	1	1	1	1338705-1	DOCUMENTATION PACKAGE	71
-	-	2	2	2	2	2	2	2	2-23147-2	SPRING, DEPRESSOR	70
-	-	1	1	1	1	1	1	1	1490524-1	SPACER, DEPRESSOR	69
-	-	1	1	1	1	1	1	1	461264-1	PLATE, IDENTIFICATION	67
-	-	2	2	2	2	2	2	2	21017-2	SCR,DRIVE(#2x.19)ID PLATE	66
-	-	1	1	1	1	1	1	1	1424350-1	HOLDER, PIN, WIRED	65
-	-	1	1	1	1	1	1	1	986950-1	WASHER, FLAT PRECISION	64
-	-	1	1	1	1	1	1	1	3-18031-0	SCR,SKT SET(M6X6)RAM	63
-	-	1	1	1	1	1	1	1	18023-9	SCR,SHC(M4X6)INS DISC	62
-	-	2	2	2	2	2	2	2	2-18032-5	SCR,SET(M5X20)DRAG	61
-	-	1	1	1	1	1	1	1	18024-7	SCR,BHC(M4X10)ANVIL	60
-	-	1	1	1	1	1	1	1	5-18022-2	SCR,HEX(M4X8)FEED FINGER	59
-	-	1	1	1	1	1	1	1	1338685-1	PAWL, FEED	58
-	-	4	4	4	4	4	4	4	18024-8	SCR,BHC(M4X12)SHEAR HOLDER	54
-	-	2	2	2	2	2	2	2	1-18023-3	SCR,SHC(M4X16)TERM HLD DWN	53
-	-	1	1	1	1	1	1	1	18030-1	NUT,HEX(M3)HOLD DOWN	52
-	-	1	1	1	1	1	1	1	811242-5	BUMPER, HOLDDOWN	51
-	-	1	1	1	1	1	1	1	690753-2	SPACER, TONKER	50
-	-	1	1	1	1	1	1	1	18024-3	SCR,BHC(M3X10)CAM	49
-	-	1	1	1	1	1	1	1	1338675-1	CAM, PRE FEED 30 & 40 mm ST	48
-	-	1	1	1	1	1	1	1	1338676-1	CAM, POST FEED 30 & 40 mm ST	47
-	-	1	1	1	1	1	1	1	1320999-3	APPLICATOR BASIC SUBASSY	46
-	-	1	1	1	1	1	1	1	690191-1	PLUG, NYLON	45
-	-	1	1	1	1	1	1	1	1338660-1	RAM	44
-	-	1	1	1	1	1	1	1	690125-1	WASHER, LAMINATED	43
-	-	1	1	1	1	1	1	1	690124-9	WASHER, RAM	42
-	-	1	1	1	1	1	1	1	2-18024-6	SCR,BHC(M8X25)RAM	41
-	-	1	1	1	1	1	1	1	23241-1	BALL, STEEL	40
-	-	1	1	1	1	1	1	1	2-22278-7	SPRING, COMPRESSION	39
-	-	1	1	1	1	1	1	1	1320922-4	DISC, INSULATION	38
-	-	1	1	1	1	1	1	1	354777-1	WIRE DISC, PLASTIC	37
-	-	1	1	1	1	1	1	1	22480-5	WASHER, SPRING	36
-	-	1	1	1	1	1	1	1	690212-1	POST, RAM	35
-	-	1	1	1	1	1	1	1	1320934-6	SUPPORT, TERMINAL	34
-	-	2	2	2	2	2	2	2	1-18024-0	SCR,BHC(M4X20)STRIP GUIDE	33
-	-	1	1	1	1	1	1	1	18027-2	WASHER, FLAT(M4)	32
-	-	1	1	1	1	1	1	1	1-18023-2	SCR,SKT CAP(M4X12)MOUNT BLOCK	31
-	-	1	1	1	1	1	1	1	1320908-4	SPACER, STRIP GUIDE	30
-	-	1	1	1	1	1	1	1	1633073-2	STRIP GUIDE PLATE ASSY	29
-	-	2	2	2	2	2	2	2	1-22284-0	SPRING, DRAG	27
-	-	1	1	1	1	1	1	1	356835-1	LEVER, DRAG RELEASE	26
-	-	1	1	1	1	1	1	1	240792-1	DRAG, TERMINAL	25
-	-	1	1	1	1	1	1	1	1320928-1	PLATE, STRIP GUIDE	24
-	-	1	1	1	1	1	1	1	980371-4	SCR,SHC SHLD	23
-	-	1	1	1	1	1	1	1	690472-2	STRIPPER	22
-	-	1	1	1	1	1	1	1	1-18023-1	SCR,SHC(M4X10)STRIPPER	21
-	-	4	4	4	4	4	4	4	18025-2	WASHER,LOCK(M4)STRIPPER	20
-	-	1	1	1	1	1	1	1	1424364-1	STRIPPER	19
-	-	1	1	1	1	1	1	1	1338684-1	HOLDER, SHEAR, FRONT (NO-CUT)	17
-	-	1	1	1	1	1	1	1	3-22280-3	SPRING, SHEAR	12
-	-	1	1	1	1	1	1	1	356885-4	STOP, SHEAR	11
-	-	1	1	1	1	1	1	1	1320921-1	HOLDER, SHEAR, FRONT (CUT)	10
-	-	1	1	1	1	1	1	1	1-879745-5	SHEAR, FLOAT (FRONT)	9
-	-	1	1	1	1	1	1	1	1333231-2	ANVIL	8
-	-	1	1	1	1	1	1	1	5-240641-0	SPACER, DEPRESSOR (REAR)	7
-	-	1	1	1	1	1	1	1	1-455889-4	DEPRESSOR, SHEAR (FRONT)	5
-	-	1	1	1	1	1	1	1	4-238011-2	SPACER, BLOCK CRIMPER	4
-	-	1	1	2	2	2	2	2	1752766-1	CRIMPER, INSULATION	3
-	-	1	1	2	2	2	2	2	5-456403-0	CRIMPER, WIRE	1
-78	-77	-76	-72	-71	-6	-2	-1	-1	PART NO	DESCRIPTION	ITEM NO

TOOLING APPROVED BY GB GATD & TERMINAL PRODUCT ENGINEERING GERMANY.

LONG POSITION

DIMENSIONS INCHES	TOLERANCES UNLESS OTHERWISE SPECIFIED:	FINISH
0 PLC	± .005	-
1 PLC	± .005	-
2 PLC	± .005	-
3 PLC	± .005	-
4 PLC	± .005	-
ANGLES	± .005	-

THIS DRAWING IS A CONTROLLED DOCUMENT. L.LOFTHOUSE 07JAN02
APVD: F.BACKHURST 07JAN02
Tyco Electronics Corporation, Harrisburg, PA 17105-3608
SIDE FEED HD-1 APPLICATOR
SCALE: 1:1
SHEET: 1 OF 1
REV: 1
CUSTOMER ACCESSIBLE PRODUCTION DRAWING