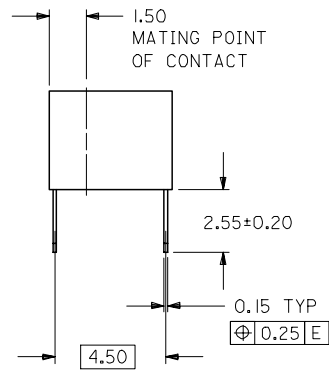
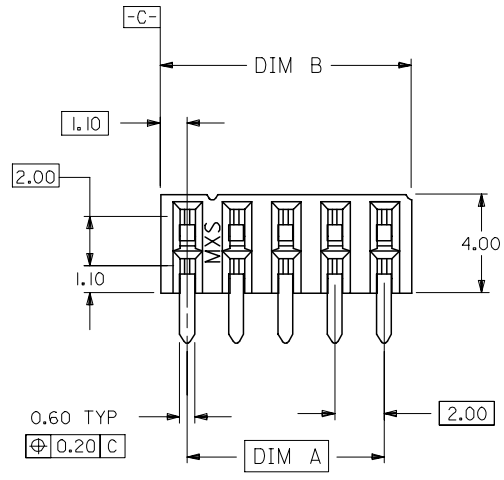


10 9 8 7 6 5 4 3 2 1

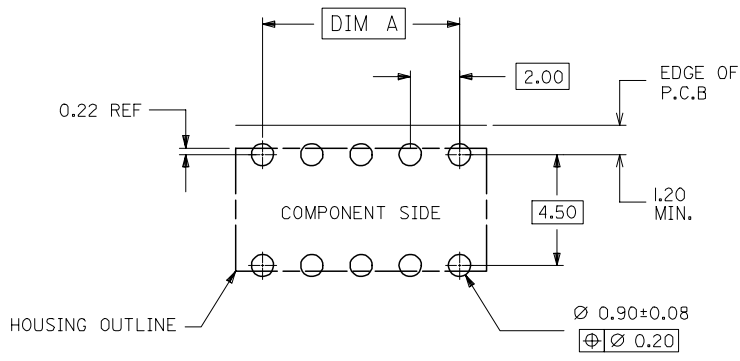
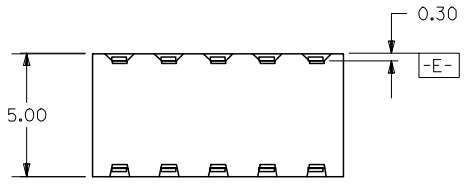


PART NO. LEGEND

87264- * * 5 *
CIRCUIT SIZE PLATING

POST-PLATED

- 0 - 0.38um/15uin MIN. GOLD PLATE IN SELECTED AREA AND 2.54um/100uin MIN. TIN/LEAD IN SELECTED AREA OVER 1.27um/50uin NICKEL OVERALL (IN TUBE).
- 1 - 0.76um/30uin MIN. GOLD PLATE IN SELECTED AREA AND 1.90um/75uin MIN. TIN/LEAD IN SELECTED AREA OVER 1.27um/50uin NICKEL OVERALL (IN TUBE).
- 2 - 0.38um/15uin MIN. GOLD PLATE IN SELECTED AREA AND 2.54um/100uin MIN. TIN IN SELECTED AREA OVER 1.27um/50uin NICKEL OVERALL (IN TUBE).
- 3 - 0.76um/30uin MIN. GOLD PLATE IN SELECTED AREA AND 2.54um/100uin MIN. TIN IN SELECTED AREA OVER 1.27um/50uin NICKEL OVERALL (IN TUBE).
- 6 - 0.38um/15uin MIN. GOLD PLATE IN SELECTED AREA AND 2.54um/100uin MIN. TIN/LEAD IN SELECTED AREA OVER 1.27um/50uin NICKEL OVERALL. (IN TAPE/REEL)
- 7 - 0.76um/30uin MIN. GOLD PLATE IN SELECTED AREA AND 2.54um/100uin MIN. TIN/LEAD IN SELECTED AREA OVER 1.27um/50uin NICKEL OVERALL. (IN TAPE/REEL)
- 8 - 0.38um/15uin MIN. GOLD PLATE IN SELECTED AREA AND 2.54um/100uin MIN. TIN IN SELECTED AREA OVER 1.27um/50uin NICKEL OVERALL. (IN TAPE/REEL)
- 9 - 0.76um/30uin MIN. GOLD PLATE IN SELECTED AREA AND 2.54um/100uin MIN. TIN IN SELECTED AREA OVER 1.27um/50uin NICKEL OVERALL. (IN TAPE/REEL)



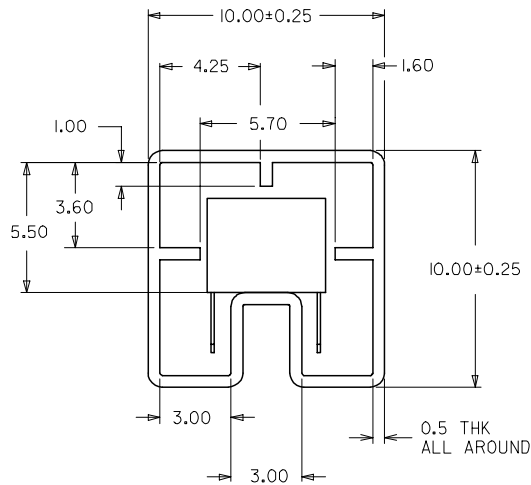
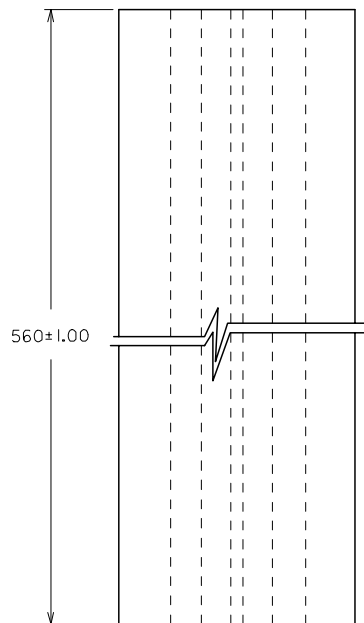
RECOMMENDED P.C. BOARD LAYOUT

NOTES:

1. IO CIRCUIT SIZE SHOWN FOR ILLUSTRATION ONLY. SEE CHART FOR AVAILABLE PART SIZES.
2. PLATING FINISH : TERMINAL - AS PER LEGEND
3. RECOMMENDED PC BOARD THICKNESS IS 1.60 +/- 0.10mm.
4. PRODUCT SPECIFICATION PS-87264 APPLIES.
5. PART IS MATEABLE TO ALL MILLI-GRID HEADERS WITH MATING PIN LENGTH BETWEEN 2.50mm AND 4.20mm.
6. TAPE & REEL OPTION IS SHOWN ON SHT 3 WITH 8 CKT ILLUSTRATION.

| | | | | | | | | | |
|---|-------------------------------|---|--|--------------------------------------|--|---|------------------------|-------------------------------|--|
| UPDATE REVISION EC NO: S2005-0714 DRWN:KSEE CHKD:BLHOW APPR:PTLIM 2005/10/19 2005/10/19 2005/11/05 D2 | QUALITY SYMBOLS ▽=0 ▽=0 | GENERAL TOLERANCES (UNLESS SPECIFIED) | | DIMENSION STYLE MM ONLY | | SCALE NTS | DESIGN UNITS METRIC | THIRD ANGLE PROJECTION | |
| | | 4 PLACES ± --- ± --- 3 PLACES ± --- ± --- 2 PLACES ± 0.2 ± --- 1 PLACE ± --- ± --- | | DRAWN BY DATE JWAN 1992/02/25 | | TITLE SALES DRAWING MGRID, 2MM DUAL ROW HDR. SIDE ENTRY RECEPT., T/H | | | |
| | | ANGULAR ± 3 ° | | CHECKED BY DATE MLA1 1992/02/25 | | MOLEX INCORPORATED | | | |
| | | DRAFT WHERE APPLICABLE MUST REMAIN WITHIN DIMENSIONS | | APPROVED BY DATE RWONG 1992/02/25 | | MATERIAL NO. SEE TABLE | | DOCUMENT NO. SD-87264-**50 | |

9 8 7 6 5 4 3 2 1

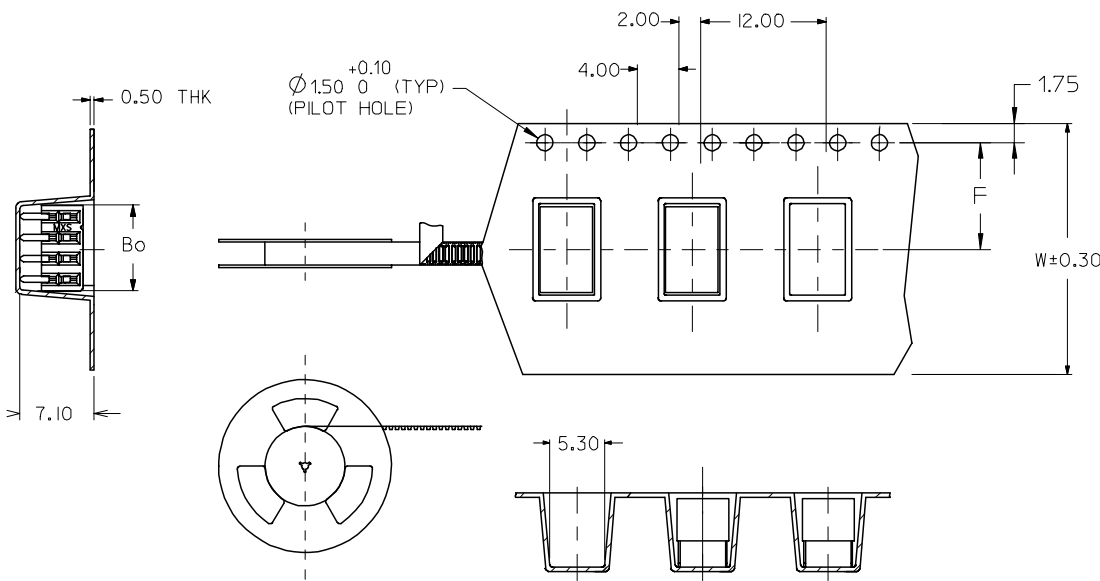


PART IN TUBE ORIENTATION.

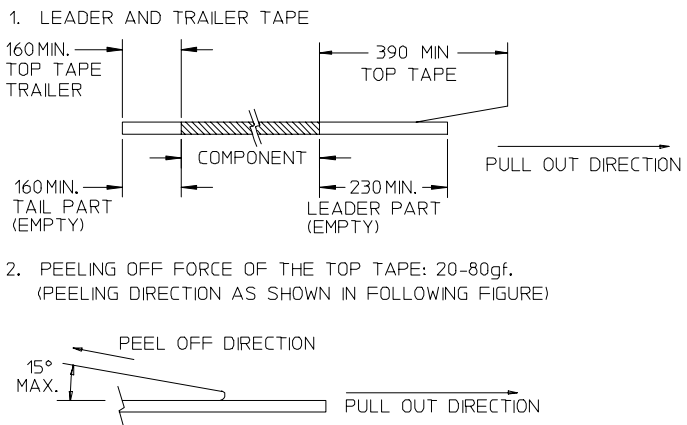
| PART NUMBER 0.38um GOLD PLATING \triangle_2 | PART NUMBER 0.76um GOLD PLATING \triangle_2 | CKT. SIZE | DIM A | DIM B |
|---|---|--------------|-------|-------|
| 87264-065* | 87264-065* | 6 | 4.00 | 6.20 |
| 87264-085* | 87264-085* | 8 | 6.00 | 8.20 |
| 87264-105* | 87264-105* | 10 | 8.00 | 10.20 |
| 87264-125* | 87264-125* | 12 | 10.00 | 12.20 |
| 87264-145* | 87264-145* | 14 | 12.00 | 14.20 |
| 87264-165* | 87264-165* | 16 | 14.00 | 16.20 |
| 87264-185* | 87264-185* | 18 | 16.00 | 18.20 |
| 87264-205* | 87264-205* | 20 | 18.00 | 20.20 |
| 87264-225* | 87264-225* | 22 | 20.00 | 22.20 |
| 87264-245* | 87264-245* | 24 | 22.00 | 24.20 |
| 87264-265* | 87264-265* | 26 | 24.00 | 26.20 |
| 87264-285* | 87264-285* | 28 | 26.00 | 28.20 |
| 87264-305* | 87264-305* | 30 | 28.00 | 30.20 |
| 87264-325* | 87264-325* | 32 | 30.00 | 32.20 |
| 87264-345* | 87264-345* | 34 | 32.00 | 34.20 |
| 87264-365* | 87264-365* | 36 | 34.00 | 36.20 |
| 87264-385* | 87264-385* | 38 | 36.00 | 38.20 |
| 87264-405* | 87264-405* | 40 | 38.00 | 40.20 |
| 87264-425* | 87264-425* | 42 | 40.00 | 42.20 |
| 87264-445* | 87264-445* | 44 | 42.00 | 44.20 |
| 87264-465* | 87264-465* | 46 | 44.00 | 46.20 |
| 87264-485* | 87264-485* | 48 | 46.00 | 48.20 |
| 87264-505* | 87264-505* | 50 | 48.00 | 50.20 |

| | | | | | | | | | |
|---|---|---|---------------------------|-------------------------------|---------------------|---|---|--|--|
| UPDATE REVISION EC NO: S2005-0714 2005/10/19 DRWN:KSEE CHKD:BLW 2005/10/19 APPR:PTLIM 2005/11/05 D2 | QUALITY SYMBOLS $\nabla=0$ $\triangle=0$ | GENERAL TOLERANCES (UNLESS SPECIFIED) | | DIMENSION STYLE MM ONLY | SCALE NTS | DESIGN UNITS METRIC | \odot \square THIRD ANGLE PROJECTION | | |
| | | 4 PLACES \pm --- \pm --- 3 PLACES \pm --- \pm --- 2 PLACES ± 0.2 \pm --- 1 PLACE \pm --- \pm --- | mm INCH | DRAWN BY JWAN | DATE 1992/02/25 | TITLE SALES DRAWING MGRID, 2MM DUAL ROW HDR. SIDE ENTRY RECEPT., T/H | | | |
| | | ANGULAR $\pm 3^\circ$ | APPROVED BY RWONG | DATE 1992/02/25 | MOLEX INCORPORATED | | | | |
| | | DRAFT WHERE APPLICABLE MUST REMAIN WITHIN DIMENSIONS | MATERIAL NO. SEE TABLE | DOCUMENT NO. SD-87264-**50 | SHEET NO. 2 OF 3 | | | | |

| | | | | | |
|---|---|-------------|-------|-------|--------|
| PART NUMBER 0.38um GOLD PLATING \triangle_2 (IN TAPE/REEL) | PART NUMBER 0.76um GOLD PLATING \triangle_2 (IN TAPE/REEL) | CKT SIZE | DIM W | DIM F | DIM Bo |
| 87264-085* | 87264-085* | 8 | 24.00 | 11.50 | 8.80 |



NOTES:



- 3. PACKAGING STANDARD IS AS PER EIA-481.
- 4. TAPE & REEL QUANTITY = 600PCS/REEL

CUSTOMER PULL OUT DIRECTION →

| | | | | | | | | | |
|--|--|--|--|--|---|---------------|--------------------------|------------------------|--|
| ADD LEADER & TRAILER EC NO: S2005-0714 DRWN:KSEE CHKD:BLW APPR:PTL/M | 2005/10/19 2005/10/19 2005/11/05 | QUALITY SYMBOLS $\nabla=0$ $\triangle=0$ | GENERAL TOLERANCES (UNLESS SPECIFIED) | | DIMENSION STYLE | SCALE | DESIGN UNITS | THIRD ANGLE PROJECTION | |
| | | | | | MM ONLY | NTS | METRIC | | |
| | | | | | | | | | |
| | | | | | | | | | |
| D2 | DESCRIPTION | | 4 PLACES ± --- ± --- | | DRAWN BY | DATE | TITLE | | |
| | | | 3 PLACES ± --- ± --- | | JWAN | 1992/02/25 | SALES DRAWING | | |
| | | | 2 PLACES ± 0.2 ± --- | | CHECKED BY | DATE | MGRID, 2MM DUAL ROW HDR. | | |
| | | | 1 PLACE ± --- ± --- | | MLA1 | 1992/02/25 | SIDE ENTRY RECEPT., T/H | | |
| | | | ANGULAR ± 3 ° | | APPROVED BY | DATE | MOLEX INCORPORATED | | |
| | | | DRAFT WHERE APPLICABLE MUST REMAIN WITHIN DIMENSIONS | | RWONG | 1992/02/25 | MOLEX INCORPORATED | | |
| | | | | | MATERIAL NO. | DOCUMENT NO. | SHEET NO. | | |
| | | | | | SEE TABLE | SD-87264-**50 | 3 OF 3 | | |
| | | | | | THIS DRAWING CONTAINS INFORMATION THAT IS PROPRIETARY TO MOLEX INCORPORATED AND SHOULD NOT BE USED WITHOUT WRITTEN PERMISSION | | | | |