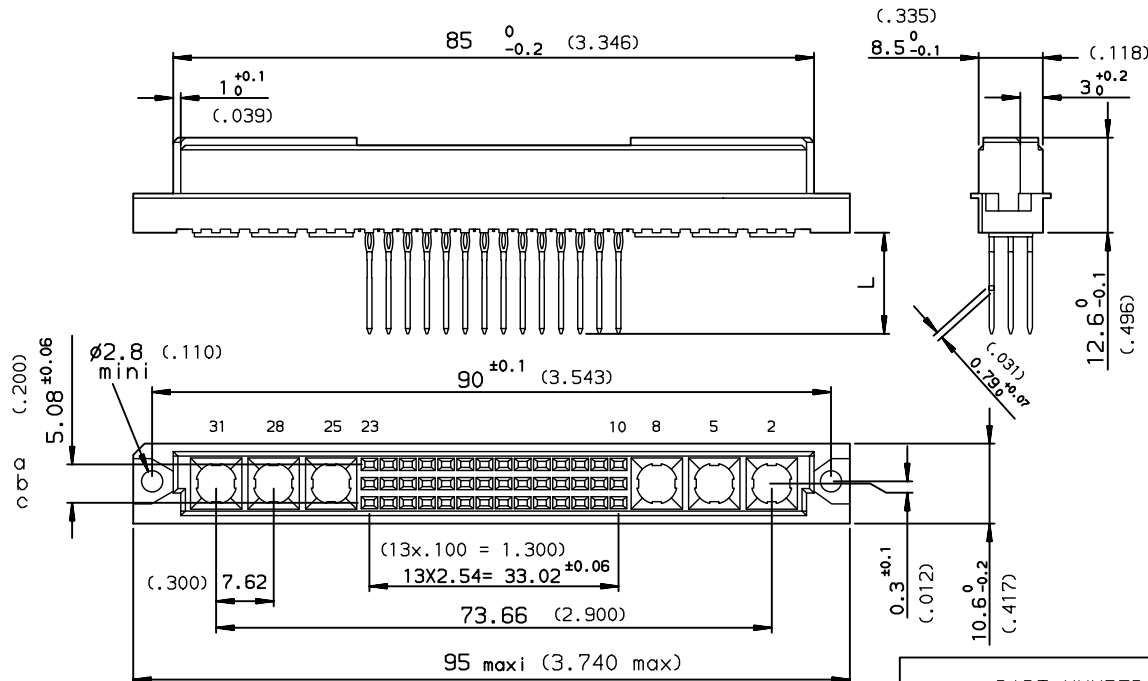


DIMENSIONS mm (inches)



ELECTRICAL DATA (for signal contacts)

- Current at AMB. 1.5 A at 20° C / 1 A at 70° C
- I max 2A
- Contact resistance ≤20mΩ according to DIN 41640 Teil 4 test 2a
- Insulation resistance >10⁶MΩ according to DIN 41640 teil 7 test 3a
- TEST VOLTAGE according to DIN 41640 teil 21
- contact/contact 1000V eff (0.5 mA / 50 Hz)
- contact/ground 1550V eff (0.5 mA / 50 Hz)
- Press Fit termination resistance < 1 mΩ

MECHANICAL DATA (for signal contacts)

- Mating force 42 Cts : ≤40N (9 Lb) / 28 Cts : ≤26N (5.85 Lb)
- Unmating force 42 Cts : >6.5N (1.45 Lb) / 28 Cts : >4.3N (1 Lb)
- Mechanical endurance class 1 500 matings unmatings according to DIN41640 teil 21
- class 2 400
- class 3 50
- Press in insertion force per pin 180 N (40.7 Lb) max / 75 N (17 Lb) standard
- Material insulator Polyester thermoplastic UL94V0
- Material contacts Phosphor bronze
- Finishing contact surface Gold over Nickel
- Finishing termination Tin Lead
- Shock <40mΩ according to DIN 41640 Teil 14 test 6c
- Vibration class 1 10-2000Hz/20g according to DIN 41640 Teil 15
- class 2 10-500Hz/5g
- Backpanel or PCB thickness: 1.6 , 2.4 or 3.2 mm

ENVIRONMENTAL DATA

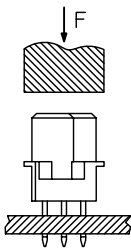
- Climatic category According to DIN 41612
- Corrosion According to DIN 41612

PART NUMBER 8609-□-□-F1-□-7-□-5-000-E3

PIN OUT									
rows a-b-c				3					42
rows a-c				4					28
NUMBER OF CONTACTS									
TERMINATION									
L = 13.10 ±0.20 (.515)				1 wrap					91
L = 17.10 ±0.20 (.673)				2 wraps					92
L = 3.00 ±0.20 (.118)				short post					94

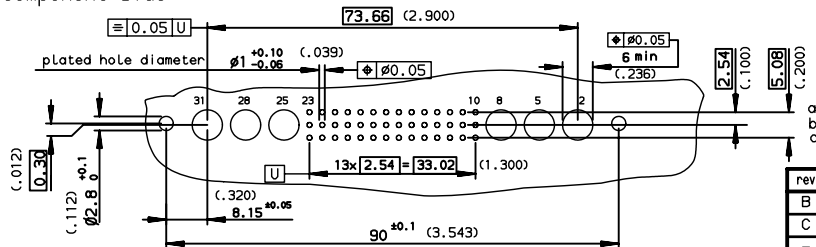
PERFORMANCE CLASS									
DIN 41612 class 3									4
DIN 41612 class 2									5
DIN 41612 class 1									6

METHOD OF INSERTION ON THE PCB = FLAT ROCK



PCB DRILLING component side

PERFORMANCES AS PER DIN 41612



rev	ecn no	dr	date
B	-	HLE	1997/11/05
C	LS07-0130	HLE	2007/05/22
-	-	-	-
-	-	-	-
-	-	-	-
-	-	-	-

www.fciconnect.com		surface ISO 1302 ✓	tolerance std ISO 406 ISO 1101	projection	mm
TOLERANCES UNLESS OTHERWISE SPECIFIED					
Dr	LEGALLIC	1997/11/05	ANGULAR	LINEAR	size A3
Eng	LEGALLIC	1997/11/05	0.X	±0.1	Scale 1.5
Chr	LEGARE	1997/11/05	0.XX	±0.1	ECN LS07-0130
Appr	LEGARE	1997/11/05	0.XXX	±0.1	Spec ref -
Product family				DIN	
title STRAIGHT FEMALE STYLE M				dwg no	C-8609-0557
catalog no					Rev. C
CUSTOMER				sheet	1 of 1