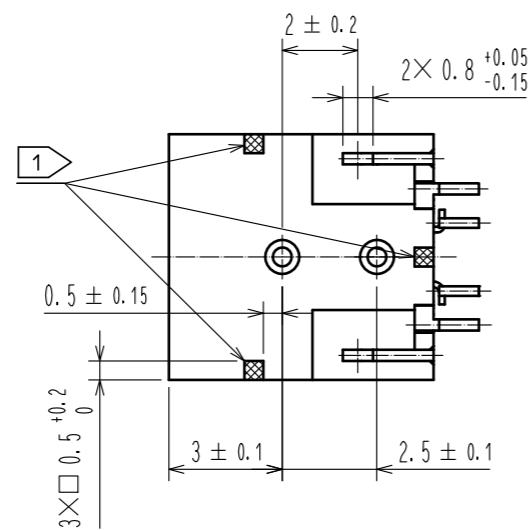
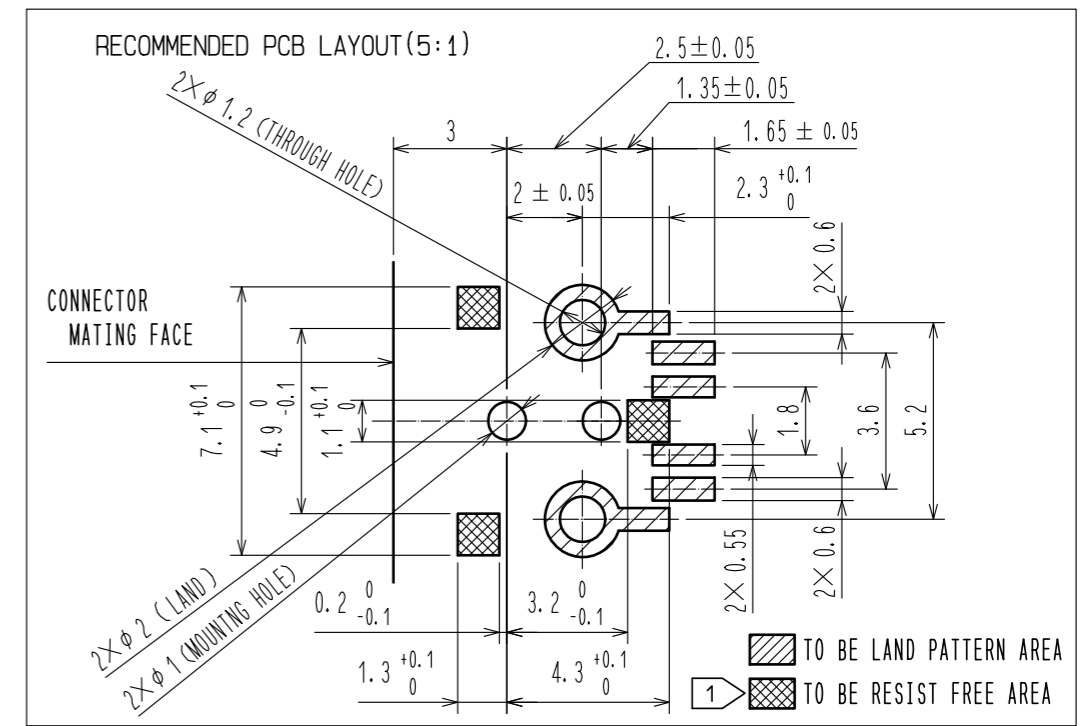
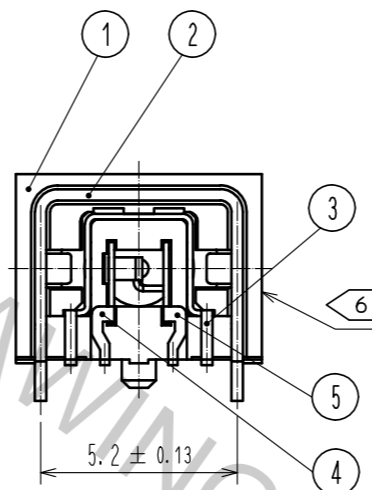
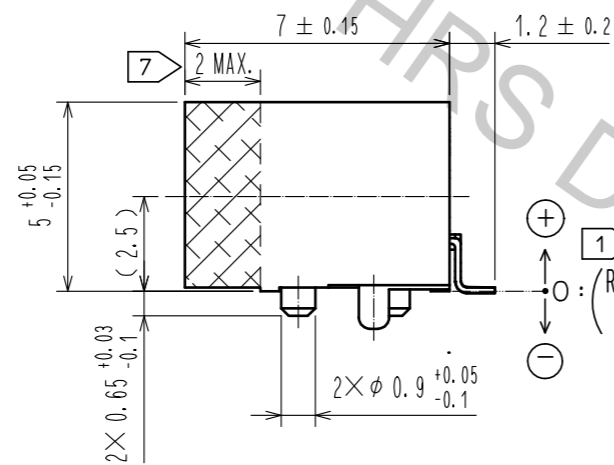
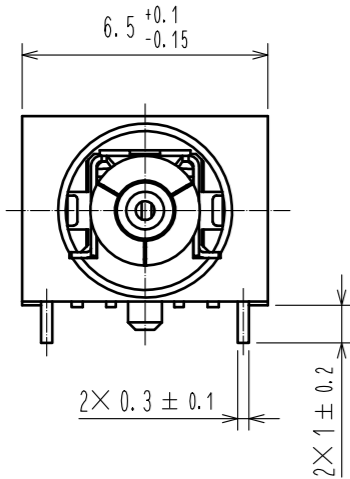
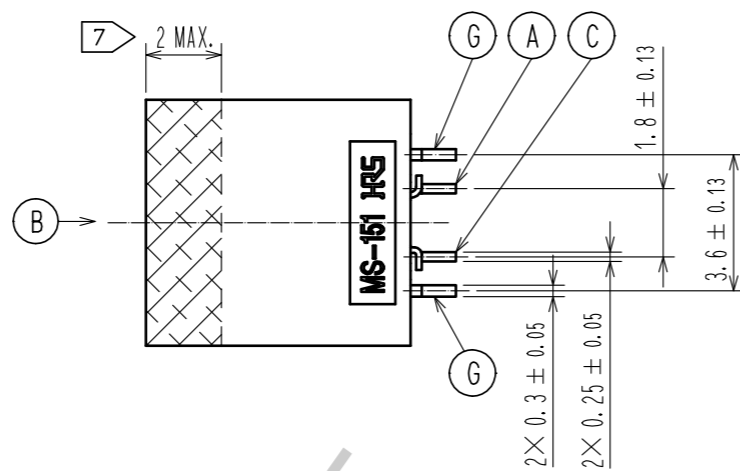
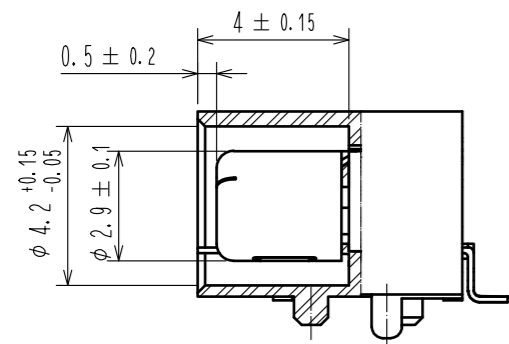
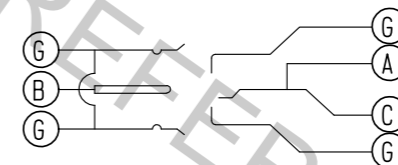


MATING FACE DIMENSIONS

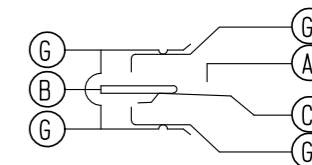


- NOTE 1 IS REFERENCE PLANE FOR PCB MOUNTING. SMT READ COPLANARITY SHALL BE $-0.05^{+0.03}_{-0.07}$ FOR REFERENCE PLANE.
2. USE THIS PRODUCT WITH MS-151-C(LP) AND EQUIVALENT CONTACT MATED.
3. COAXIAL SWITCH CIRCUIT SHALL BE AS FOLLOWS.

STATE OF CONTACT NONMATED
(N.C.:NORMAL CLOSE)

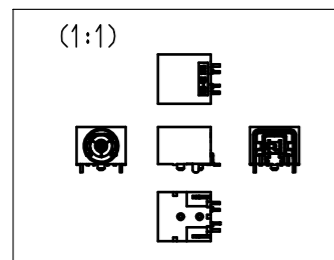
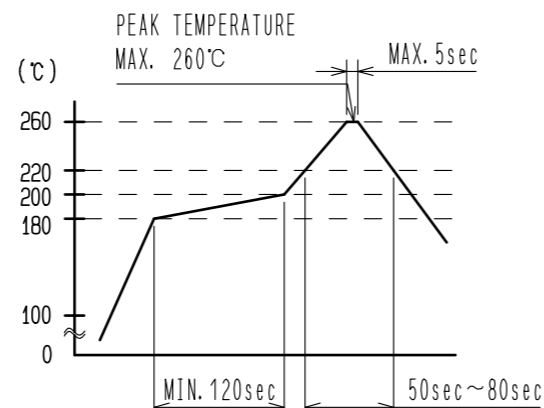


STATE OF CONTACT MATED
(N.O.:NORMAL OPEN)



4. THIS PRODUCT IS IMPOSSIBLE TO WASH.
5. USE 0.15mm THICK METAL MASK.
- 6 LOT NO. IS MARKED ON THE SPECIFIED SURFACE.
- 7 FIX THE CONNECTOR WITH DEVICE CHASSIS AT THE AREA WITHIN 2mm FROM THE OPENING .

SPECIFIED REFLOW TEMPERATURE PROFILE FOR LEAD-FREE SOLDER

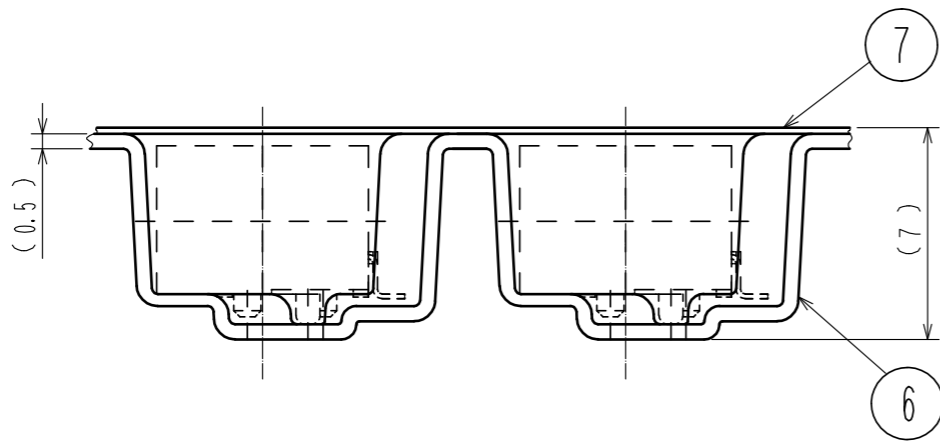
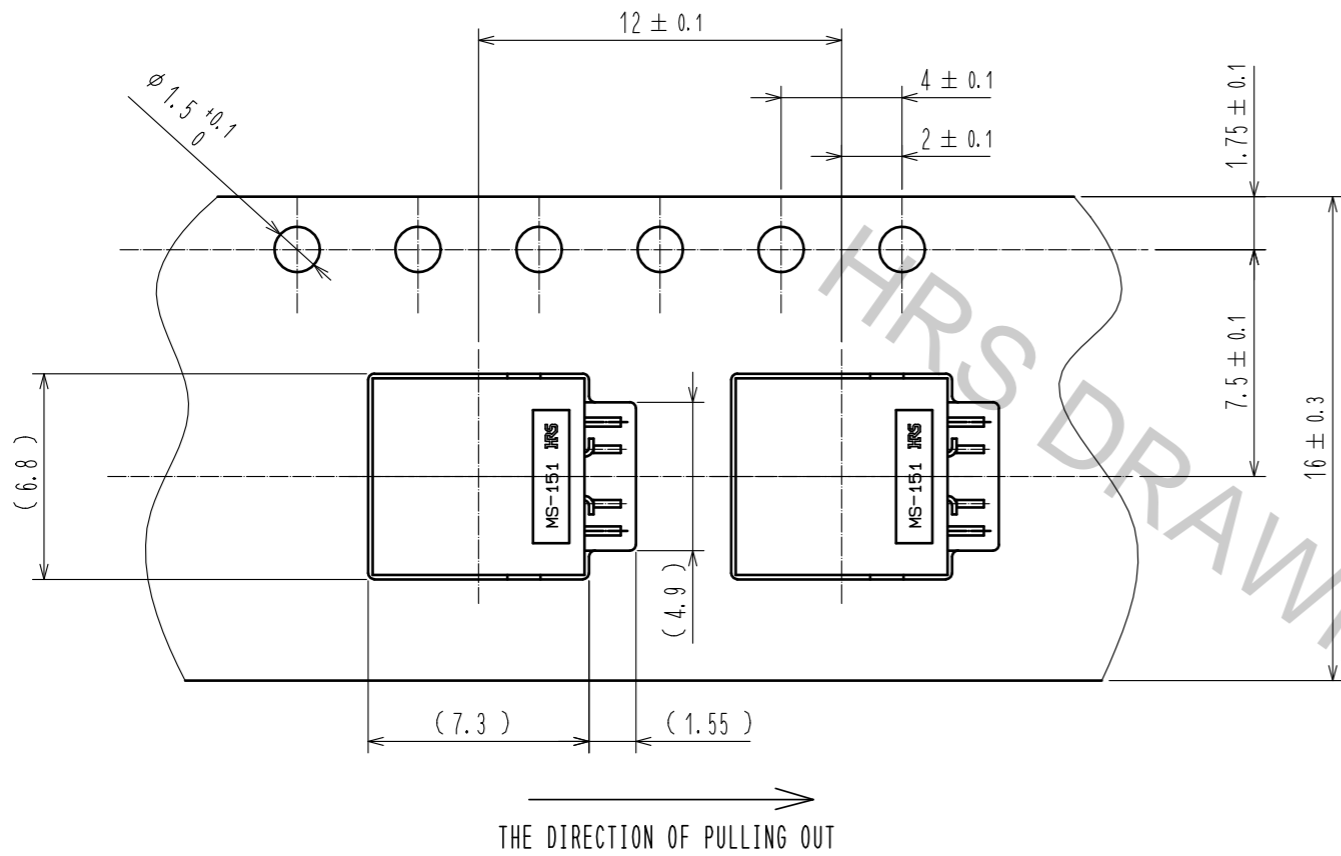


RoHS COMPLIANT

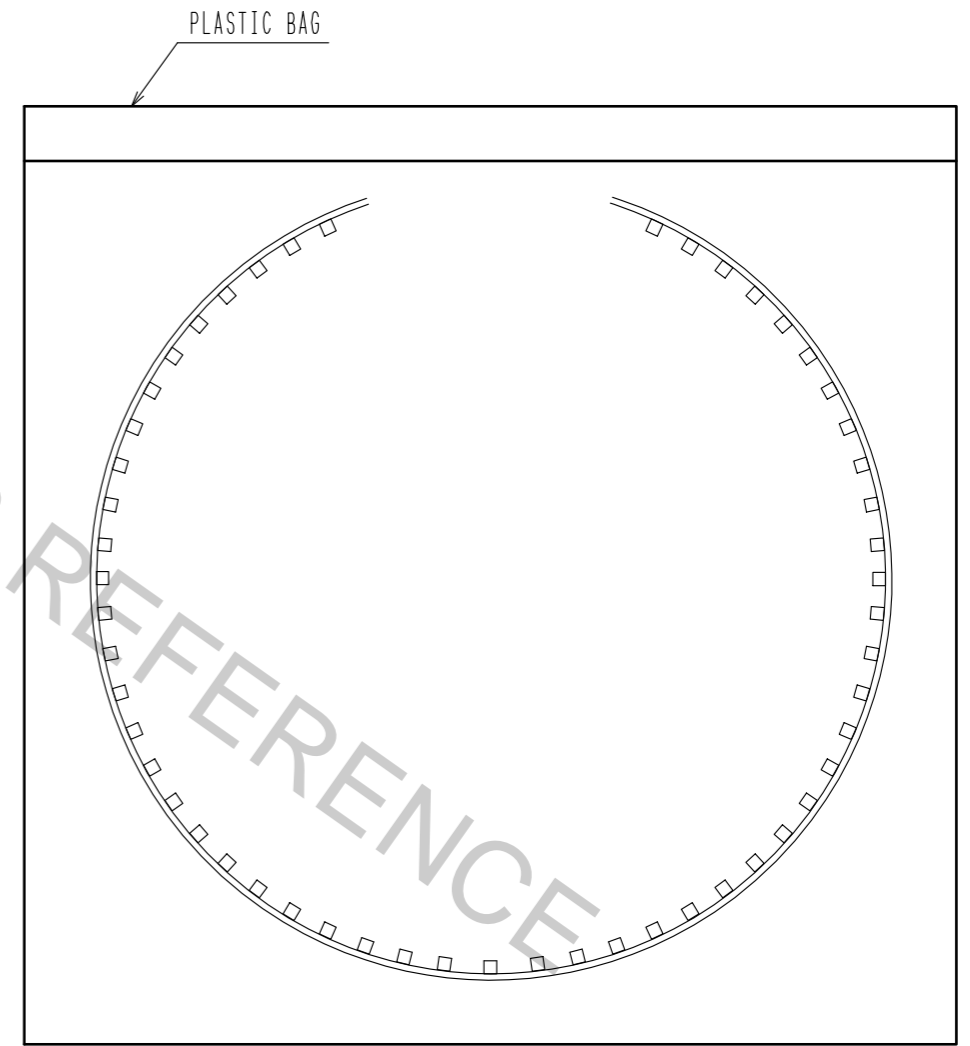
HALOGEN FREE COMPLIANT

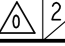
3	PHOSPHOR BRONZE	SELECTIVE GOLD PLATING	7	PET	
2	STAINLESS STEEL	SELECTIVE GOLD PLATING	6	PS	
1	PA-M		5	PHOSPHOR BRONZE	SELECTIVE GOLD PLATING
			4	BERYLLIUM COPPER	SELECTIVE GOLD PLATING
NO.	MATERIAL	FINISH . REMARKS	NO.	MATERIAL	FINISH . REMARKS
UNITS		SCALE	COUNT	DESCRIPTION OF REVISIONS	
mm		5 : 1		DESIGNED	CHECKED
HRS HIROSE ELECTRIC CO., LTD.		APPROVED : KH. IKEDA	15. 08. 03	DRAWING NO. EDC-353753-01-01	
		CHECKED : NK. NINOMIYA	15. 08. 03	PART NO. MS-151NB-1(01)	
		DESIGNED : RO. FURUYAMA	15. 08. 03	CODE NO. CL358-0345-4-01	
		DRAWN : RO. FURUYAMA	15. 08. 03	DATE	

TAPE AND REEL PACKING (4 : 1)



PLASTIC BAG PACKING (FREE)
100 PIECES PER BAG



HRS	DRAWING NO.	EDC-353753-01-01	 2/2
	PART NO.	MS-151NB-1(01)	
	CODE NO.	CL358-0345-4-01	