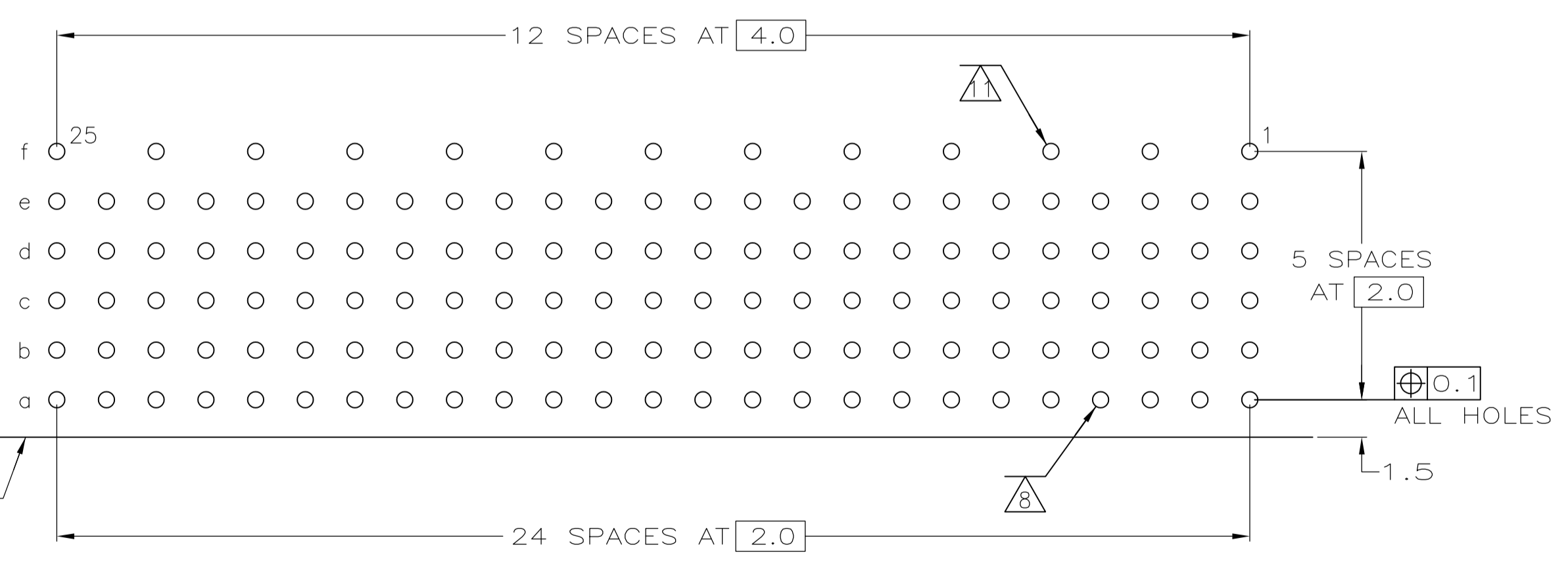
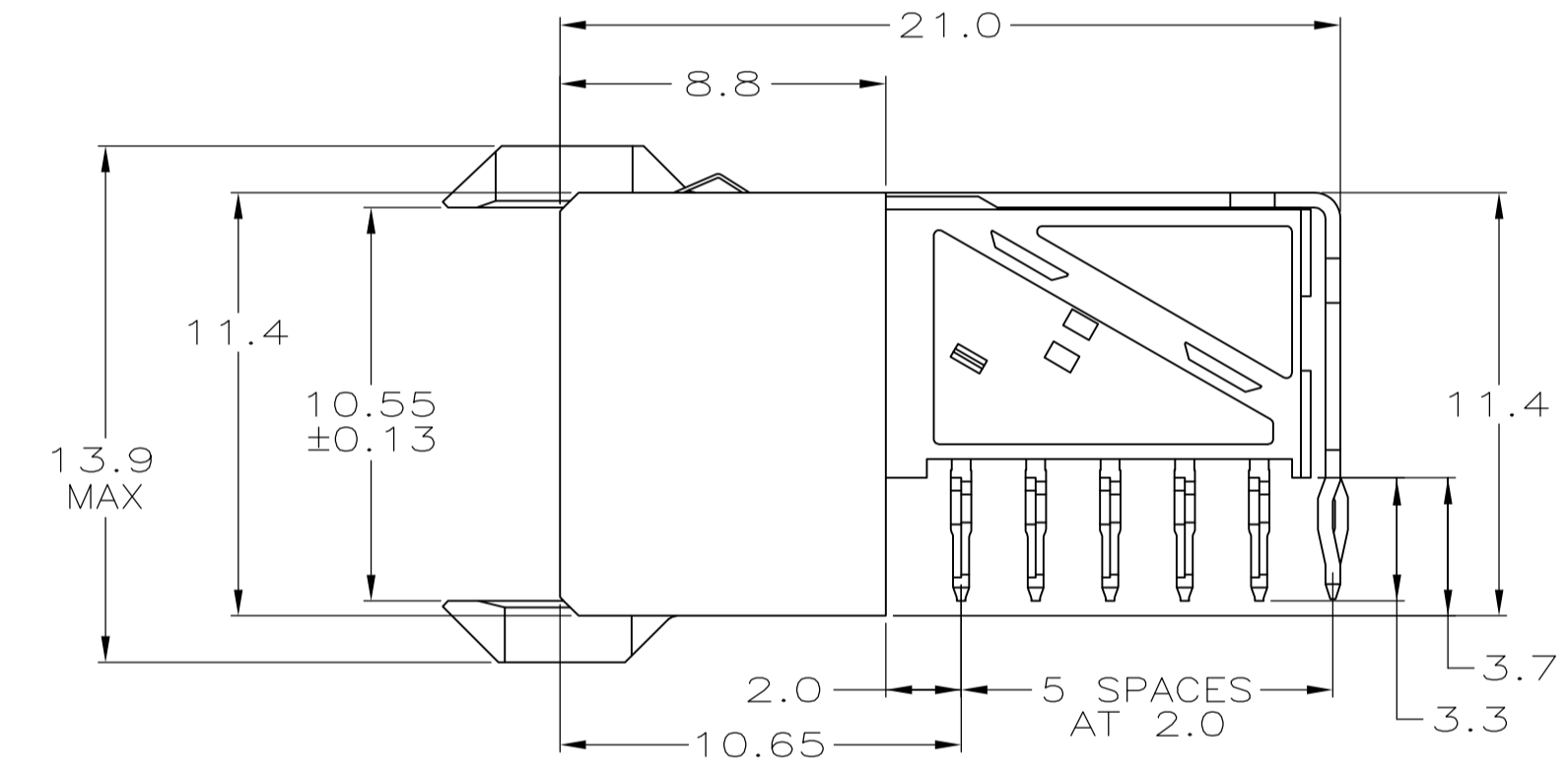
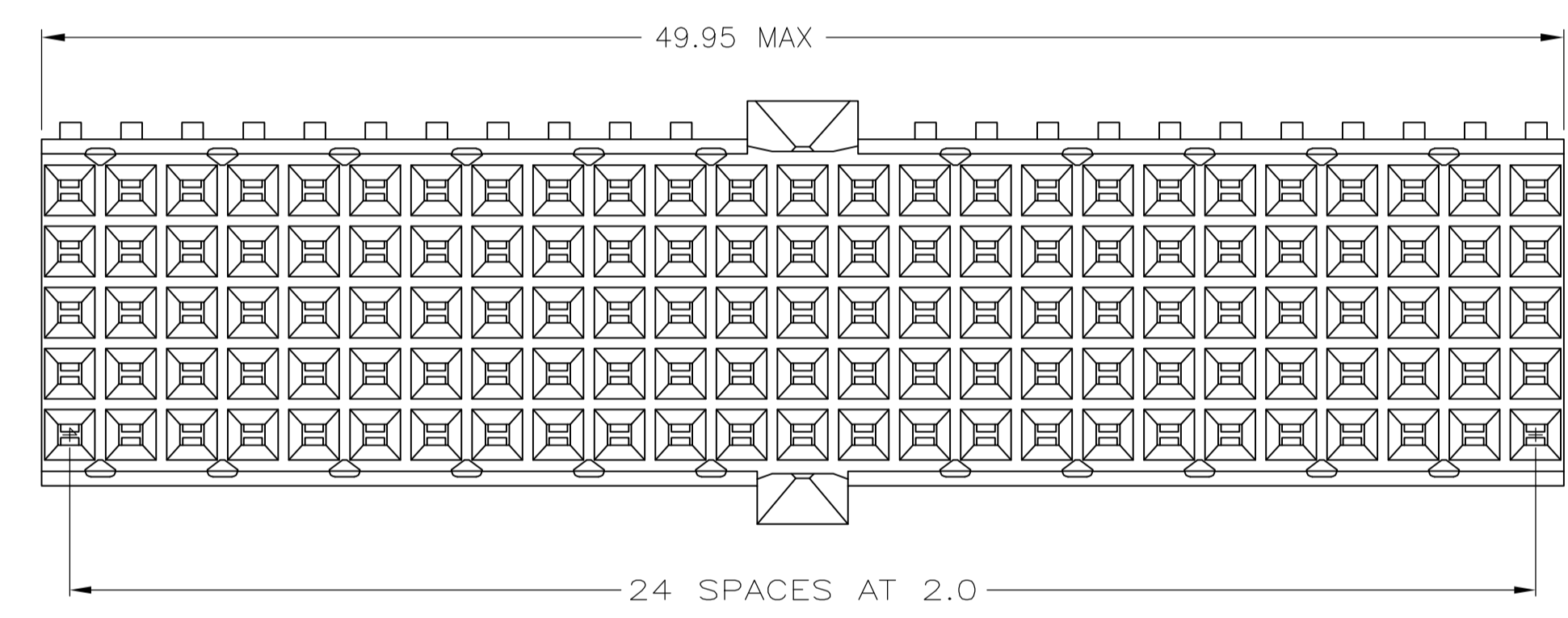


- 1 MATERIAL:
CONTACT & SHIELD: PHOSPHOR BRONZE.
HOUSING: GLASS-FILLED POLYESTER.
- 2 GENERAL PLATING SPECIFICATION: UNDERPLATING
(ENTIRE CONTACT): 1.27µm MIN NICKEL AND ACTION
PIN: 0.5µm MIN TIN.
FOR PLATING OF MATING SURFACES SEE APPLICABLE
SPECIFICATION REFERENCE FOR EACH DASH NUMBER.
- 3 CONFORMS TO ALL TESTING ACCORDING TO IEC 61076-4-101
PERFORMANCE LEVEL 2.
- 4 CONFORMS TO ALL TESTING ACCORDING TO IEC 61076-4-101
PERFORMANCE LEVEL 1.
- 5 CONNECTOR TESTED AND QUALIFIED AGAINST TELCORDIA GR-1217-CORE QUALITY LEVEL 3,
CENTRAL OFFICE APPLICATIONS.
- 6 CONNECTOR TESTED AND QUALIFIED AGAINST TELCORDIA GR-1217-CORE QUALITY LEVEL 3,
UNCONTROLLED ENVIROMENT APPLICATIONS.
- 7 CONNECTOR MARKED WITH PART NUMBER AND DATE CODE.
ADDITIONAL CHARACTERS OR MARKINGS, AS WELL AS THE LOCATION OF THE MARKINGS,
MAY BE ADDED FOR TRACEABILITY BASED UPON MANUFACTURERS DISCRETION.
- 8 PLATED-THROUGH HOLES AT 2x2mm SQUARE GRID.
- 9 CONNECTOR LUBRICATED WITH BELCORE APPROVED LUBRICANT,
TECHNICAL REFERENCE: TR-NWT-001217 ISSUE 1, SEP 1992.
- 10 SHIELD MOUNTED ON CONNECTOR WITH DOUBLE SIDED ADHESIVE TAPE OR ADHESIVE.
- 11 ROW "f" 13 PLATED THROUGH HOLES FOR UPPER SHIELD.
- 12 0.76µm MIN. GOLD PLATING AT MATING SURFACES.



COMPONENT SIDE AS SHOWN
RECOMMENDED PCB HOLE LAYOUT

PLATED THRU HOLES PARAMETERS
REFERENCE APPLICATION SPECIFICATION

2	3	12	3-5646547-0
2	5	9	1-5646547-9
2	5	9	5646547-9
2	4		5646547-4
2	3		5646547-1
FINISH		PART NUMBER	

THIS DRAWING IS A CONTROLLED DOCUMENT.

DIMENSIONS:	TOLERANCES UNLESS OTHERWISE SPECIFIED:	DIN B. CARDO 29JUL05	REV
mm	0-PLC ±	CHK G. SKIPPER 29JUL05	
	1-PLC ±0.2	APVD G. SKIPPER 29JUL05	
	2-PLC ±0.1	NAME	
	3-PLC ±	PRODUCT SPEC	
	4-PLC ±	108-19082	
	ANGLES ±	APPLICATION SPEC	
MATERIAL	FINISH SEE TABLE	114-19029	
1		SIZE	
		WEIGHT	
		A1 00779	
		C=5646547	
		CUSTOMER DRAWING	

STE TE Connectivity

RECEPTACLE ASSEMBLY, Z-PACK
2mm HM, TYPE A/B

SCALE 5:1 SHEET 1 OF 1 REV D