

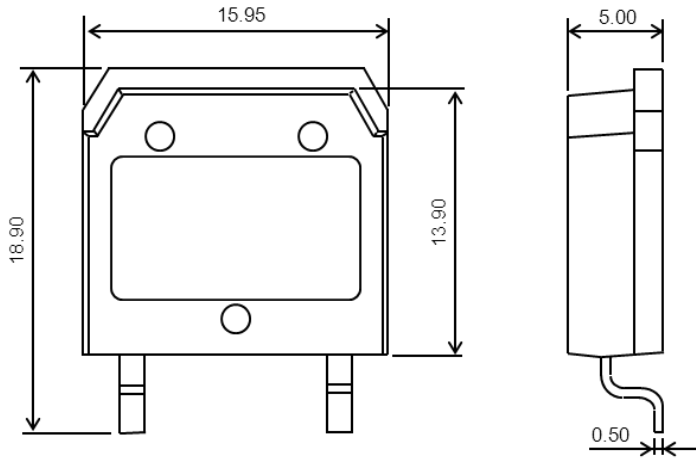
Product	SiC MOSFET	Package	TO-268-2L
---------	------------	---------	-----------

1. Scope

This specification covers the tape packing requirements for TO-268-2L.

For individual characteristics, the applicable specification shall be referred to.

2. Components description

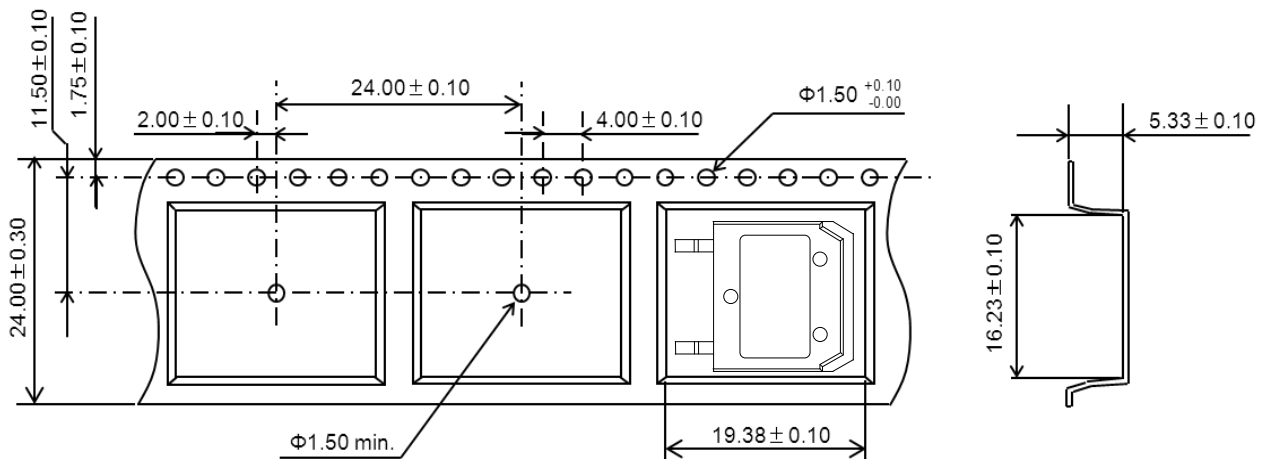


Note) Please refer to individual product specification for more detail.

This figure is only for reference.

Unit: mm

3. Taping dimensions



Unit: mm

Note) Sprocket holes might be covered with the cover tape.

Packing

4. Tape packing specification

4-1 Direction of tape winding

Drain fin shall be placed towards leading direction.

4-2 Cumulative pitch tolerance

The cumulative pitch tolerance of the carrier tape shall be within $\pm 0.2\text{mm}$ per 10 sprocket holes.

4-3 The minimum radius to bend the carrier tape

Carrier tape shall be flexible enough to protect component from dropout and damage under a minimum radius of 50mm. However, it shall be defined only inside of carrier tape.

4-4 The material of carrier tape

Polystyrene

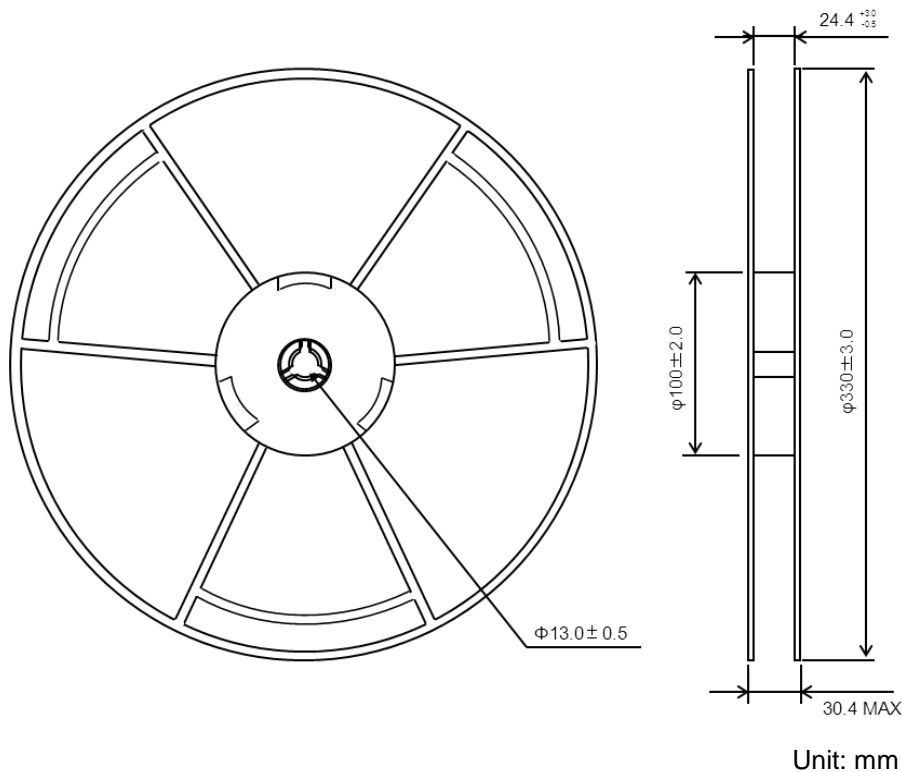
4-5 The material of cover tape

PET

4-6 The material of reel

Polystyrene

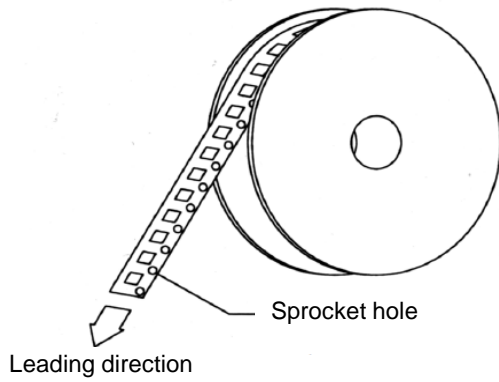
5. Reel dimensions



6. Reeling specification

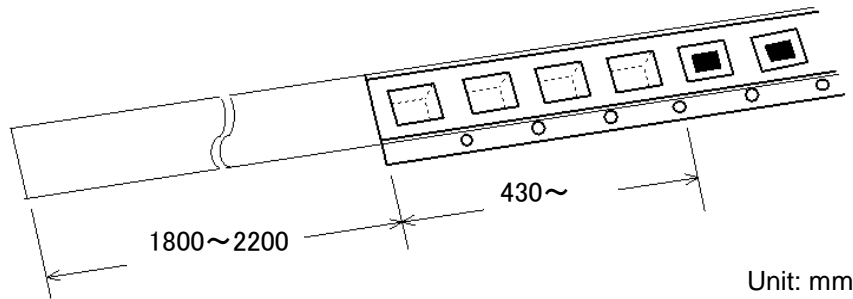
6-1 Leading direction

Leading direction of carrier tape shall be indicated as below.



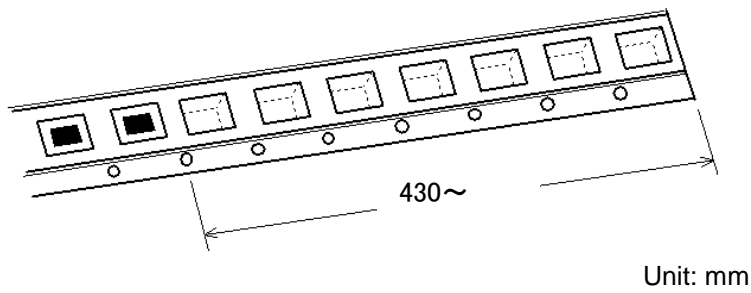
6-2 Leader

Leader tape shall be separated into two parts: cover tape and carrier tape without products.



6-3 Trail

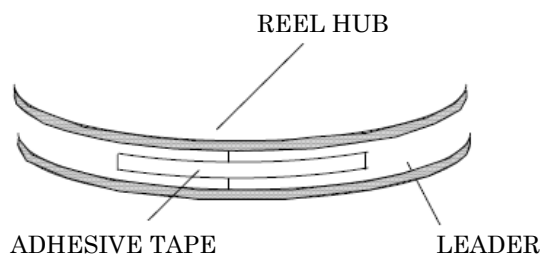
Trail tape shall remain with no product and it is not fixed to a reel.



Packing

6-4 Treatment for end of tape

The end of leader tape shall be fixed with the white adhesive tape.



7. Type

Product codes of taping shall be composed as indicated below.

Example: SCT2H12NY TB
 Type code Taping code

8. Quantity

Quantity per reel is 400pcs.

9. Marking

Each reel and inner box shall be labeled with the following information.

1. Type
 2. Quantity
 3. Lot No.
 4. Inspector
 5. Trademark
- ※Bar codes are also displayed too.

Packing

10. Package

2 reels (400pcs.x2) are packed in an inner box.

Inner Box Dimension

