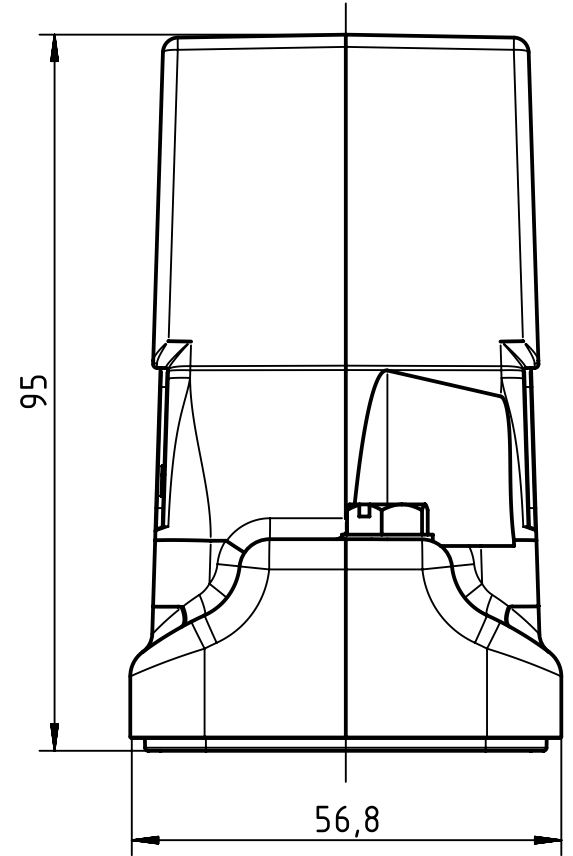
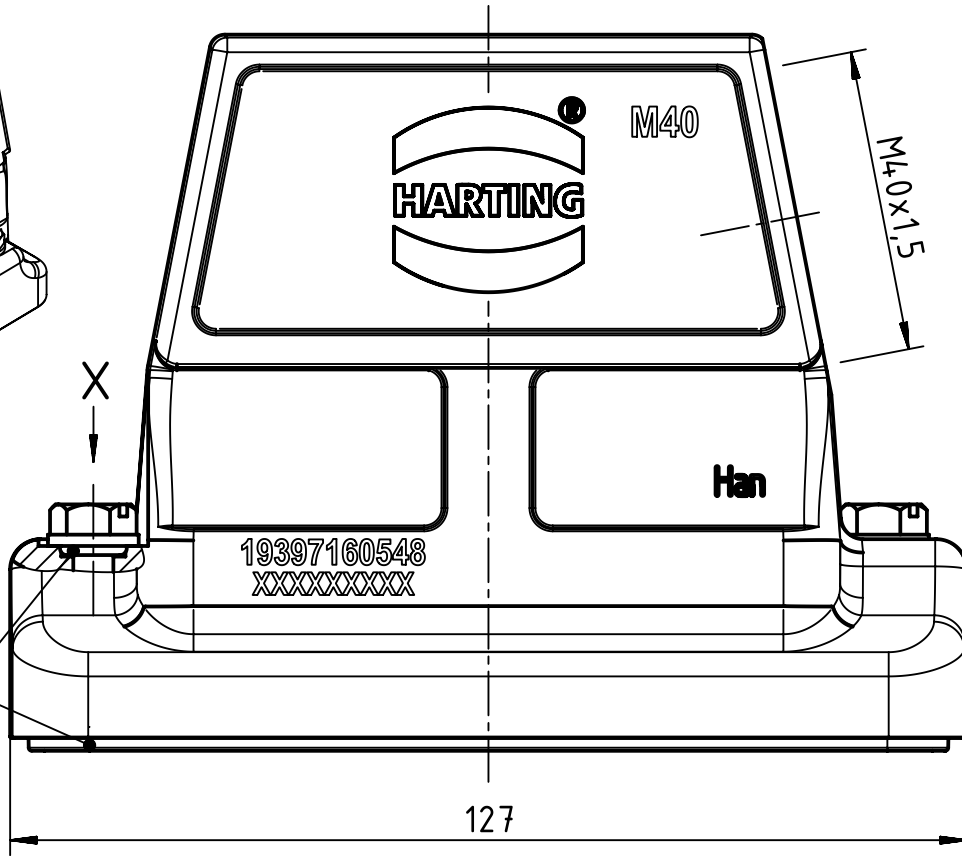
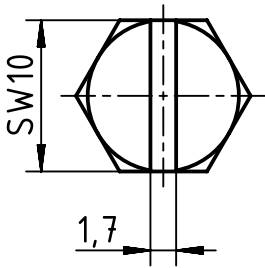
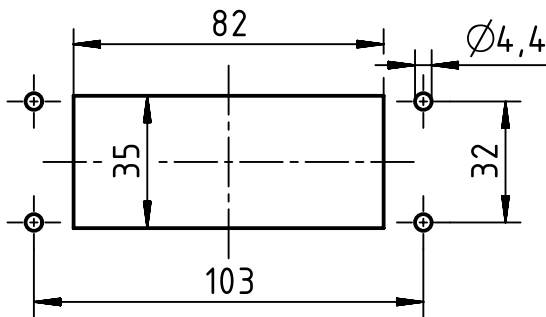


X (2:1)



Panel cut out (1:2)



	All Dimensions in mm Original Size DIN A4		Scale 1:1		Free size tol.		Ref.	
	All rights reserved		Created by LONGL		Inspected by WENE		Standardisation SCHMIDTM	
Department EL PD - CN		Date 2017-03-20		State Final Release		Doc-Key / ECM-Nr. 100664321/UGD/005/C 500000116978		
HARTING (Zhuhai) Manufacturing Co., Ltd. 519085 Zhuhai, China		Title Han 16HP Direct/M-HSE-M40		Type TB		Number 19 39 716 0548		Rev. C
								Page 1/1