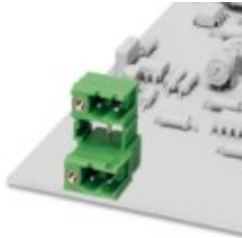


Base strip - MDSTB 2,5/ 2-GFL - 1877740

Please be informed that the data shown in this PDF Document is generated from our Online Catalog. Please find the complete data in the user's documentation. Our General Terms of Use for Downloads are valid (<http://phoenixcontact.com/download>)



Header, Nominal current: 10 A, Rated voltage (III/2): 320 V, Number of positions: 2, Pitch: 5 mm, Color: green, Contact surface: Tin, Assembly: Soldering, Can be aligned! Mounting flange: Order no. 1736771, 1736768. In combination with MVSTB or FKCV plugs, both an MVSTBW (or FKCVW) and an MVSTBR plug (or FKCVR) must be used. Combination with TMSTBP plugs is not possible!



Key commercial data

| | |
|--------------------------------------|----------|
| Packing unit | 1 pc |
| Weight per Piece (excluding packing) | 5.45 GRM |
| Custom tariff number | 85366990 |
| Country of origin | Germany |

Technical data

Dimensions

| | |
|----------------|----------|
| Length | 22 mm |
| Pitch | 5 mm |
| Dimension a | 5 mm |
| Pin dimensions | 1 x 1 mm |
| Hole diameter | 1.4 mm |

General

| | |
|----------------------------------|-----------------|
| Range of articles | MDSTB 2,5/..-GF |
| Insulating material group | IIIa |
| Rated surge voltage (III/3) | 4 kV |
| Rated surge voltage (III/2) | 4 kV |
| Rated surge voltage (II/2) | 4 kV |
| Rated voltage (III/3) | 250 V |
| Rated voltage (III/2) | 320 V |
| Rated voltage (II/2) | 400 V |
| Connection in acc. with standard | EN-VDE |

Base strip - MDSTB 2,5/ 2-GFL - 1877740

Technical data

General

| | |
|---|-------|
| Nominal current I_N | 10 A |
| Maximum load current | 10 A |
| Insulating material | PBT |
| Inflammability class according to UL 94 | V0 |
| Color | green |
| Number of positions | 2 |

Classifications

eCl@ss

| | |
|------------|----------|
| eCl@ss 4.0 | 272607xx |
| eCl@ss 4.1 | 27260701 |
| eCl@ss 5.0 | 27260701 |
| eCl@ss 5.1 | 27260701 |
| eCl@ss 6.0 | 27260704 |
| eCl@ss 7.0 | 27440402 |
| eCl@ss 8.0 | 27440402 |

ETIM

| | |
|----------|----------|
| ETIM 3.0 | EC001121 |
| ETIM 4.0 | EC002637 |
| ETIM 5.0 | EC002637 |

UNSPSC

| | |
|---------------|----------|
| UNSPSC 6.01 | 30211810 |
| UNSPSC 7.0901 | 39121409 |
| UNSPSC 11 | 39121409 |
| UNSPSC 12.01 | 39121409 |
| UNSPSC 13.2 | 39121409 |

Approvals

Approvals

Approvals

UL Recognized / VDE Gutachten mit Fertigungsüberwachung / cUL Recognized / GOST / IECCE CB Scheme / GOST / CCA / cULus Recognized

Base strip - MDSTB 2,5/ 2-GFL - 1877740

Approvals

Ex Approvals

Approvals submitted

Approval details

| | | |
|--------------------|-------|-------|
| UL Recognized | | |
| | B | D |
| Nominal current IN | 15 A | 10 A |
| Nominal voltage UN | 300 V | 300 V |

| | |
|---|-------|
| VDE Gutachten mit Fertigungsüberwachung | |
| Nominal current IN | 10 A |
| Nominal voltage UN | 250 V |

| | | |
|--------------------|-------|-------|
| cUL Recognized | | |
| | B | D |
| Nominal current IN | 15 A | 10 A |
| Nominal voltage UN | 300 V | 300 V |

| | |
|------|--|
| GOST | |
|------|--|

| | |
|--------------------|-------|
| IECEE CB Scheme | |
| Nominal current IN | 10 A |
| Nominal voltage UN | 250 V |


Base strip - MDSTB 2,5/ 2-GFL - 1877740

Approvals

GOST 

CCA

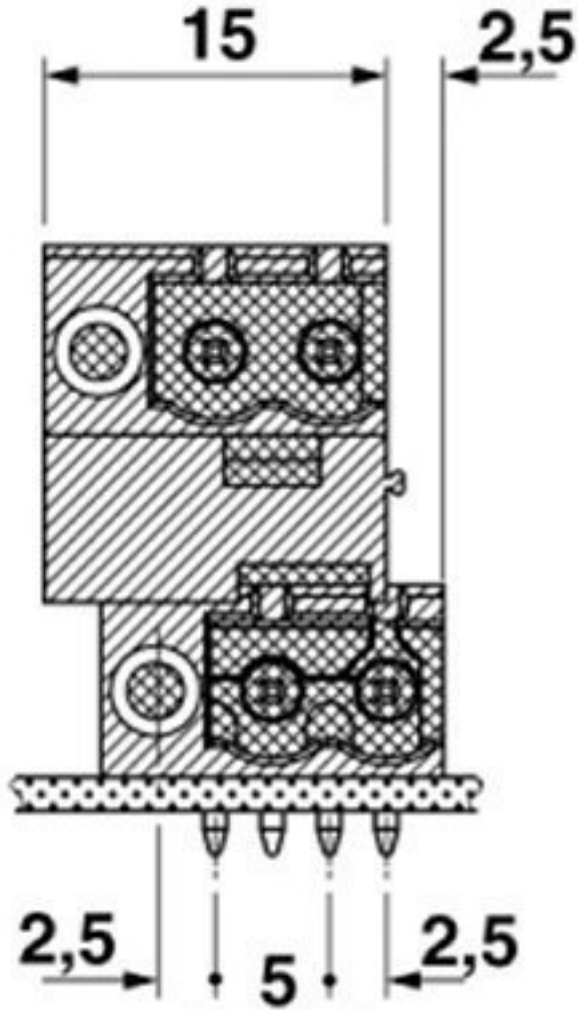
| | |
|--------------------------------|-------|
| | |
| Nominal current I _N | 10 A |
| Nominal voltage U _N | 250 V |

cULus Recognized 

Drawings

Base strip - MDSTB 2,5/ 2-GFL - 1877740

Dimensioned drawing



Base strip - MDSTB 2,5/ 2-GFL - 1877740

Drilling diagram

