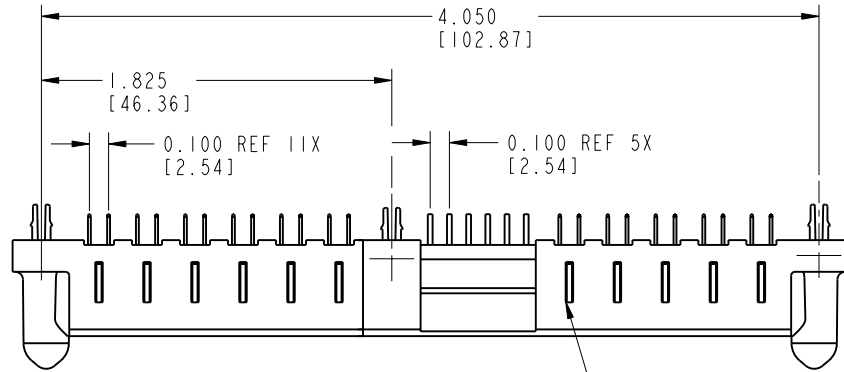


Tous droits strictement réservés. Reproduction ou communication o des liens interdite sous quelque forme que ce soit sans autorisation écrite du propriétaire. Propriété de c FCI. Droits de reproduction FCI.

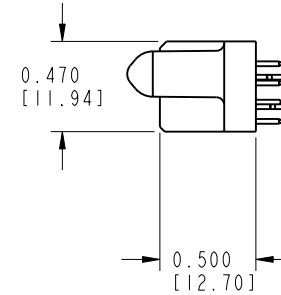
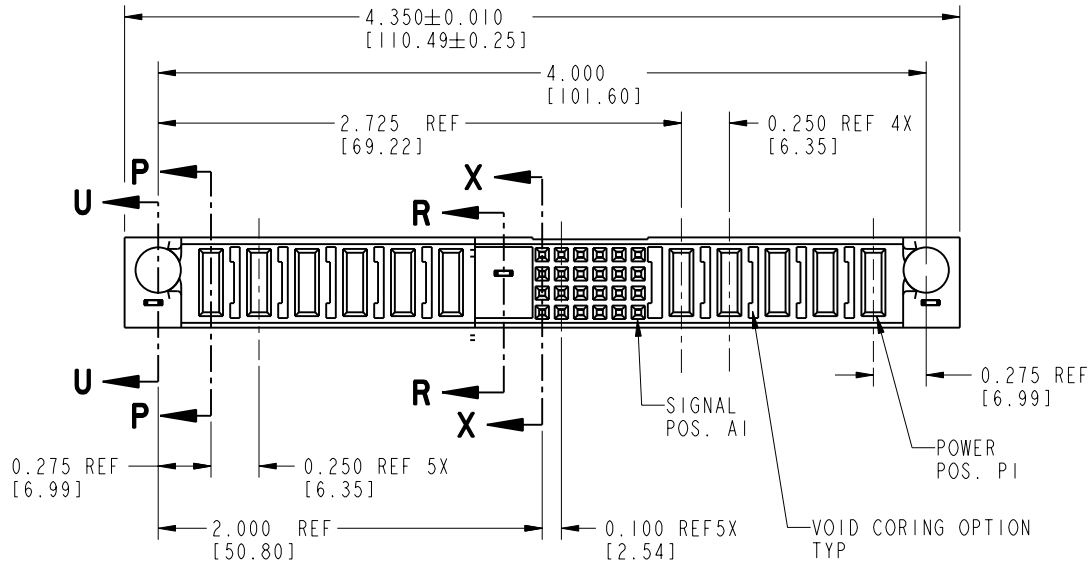


All rights strictly reserved. Reproduction or issue to third parties in any form, whenever is not permitted without written authority from the proprietor. Property of FCI. Copyright FCI.

PRODUCT NUMBER
51413-XX001--
NOTE: ③



SEE NOTE 2



CONFIDENTIAL

mat'l code				SEE NOTES		tolerances unless otherwise specified		CUSTOMER COPY		FCI	
ltr	ecn no.	dr	date	linear	.XX ±.01/.X ±.3	projection	www.fciconnect.com		title		
A	V91387	SAR	06-14-99	angles	.XXX ±.005/.XX ±.13		5P + 24S + 1M + 6P		VERTICAL SOLDER RECEPTACLE		
B	V00791	MSG	03-22-00	dr	.XXXX ±.0020/.XXX ±.051	INCH/MM	product family		PwrBlade		code
C	V01285	EKK	06-01-00	engr	0° ± 2°	scale	size		dwg no		213
D	V01870	CHB	08-02-00	chr	0° ± 2°	1:1	A		51413		sheet
E	DG05-0238	SJ	07/24/05	appd	J. BROWN						1 of 4
F	DG06-0295	JMG	07/20/06		J. BROWN						
sheet index	revision sheet	F	F	F	F						
		1	2	3	4						

THIS FILE WAS ORIGINALLY CREATED IN THE PRO ENGINEER ENVIRONMENT AND ANY FUTURE REVISIONS TO THIS FILE MUST BE MADE IN THE PRO ENGINEER ENVIRONMENT

cage code 22526

Pro/E

PDM: Rev:F

STATUS: Released

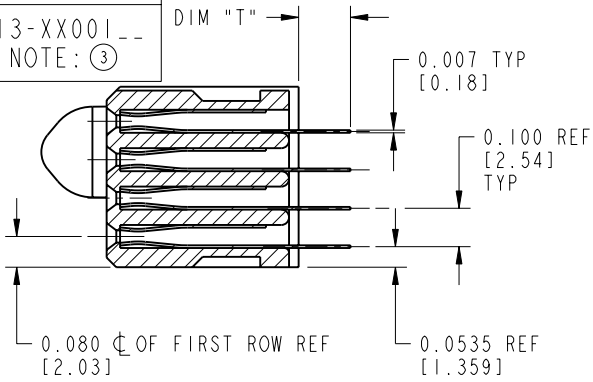
Printed: Dec 20, 2010

Tous droits strictement réservés. Reproduction ou communication o des liers interdite sous quelque forme que ce soit sans autorisation écrite du propriétaire. Propriete de c FCI. Droits de reproduction FCI.

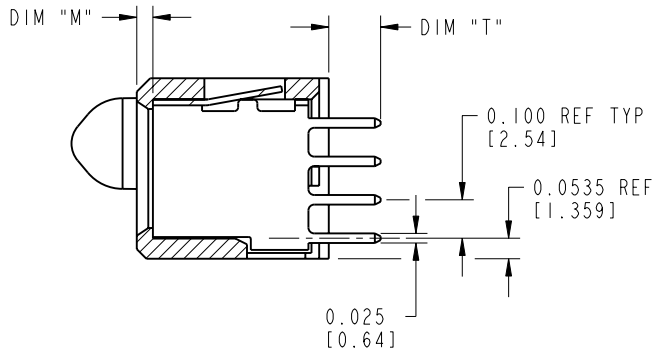


All rights strictly reserved. Reproduction or issue to third parties in any form, whatever is not permitted without written authority from the proprietor. Property of FCI. Copyright FCI.

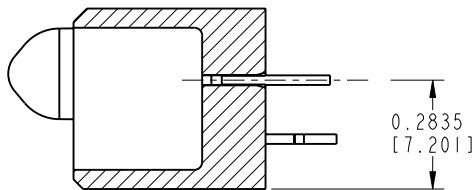
PRODUCT NUMBER
51413-XX001--
NOTE: ③



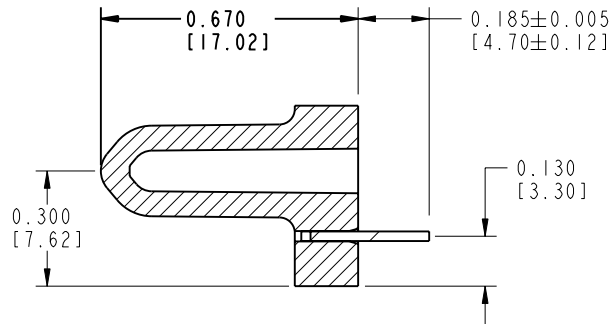
SECTION X-X



SECTION P-P



SECTION R-R



SECTION U-U

CONFIDENTIAL

mat'l code		NOTE 1		tolerances unless otherwise specified		CUSTOMER COPY		FCI		www.fciconnect.com	
lfr	ecr no.	dr	date	linear	.XX ±.01/.X ±.3	projection	title		5P + 24S + 1M + 6P		
F				angles	.XXX ±.005/.XX ±.13		VERTICAL SOLDER RECEPTACLE		product family		
				dr	.XXXX ±.0020/.XXX ±.051	INCH/MM	product family		Pwr Blade		code
				engr	0° ± 2°	← →	size		51413		213
				chr	J. BROWN 01-06-99	scale	dwg no		A		sheet
				appd	J. BROWN 01-06-99	2:1	51413		2		2
sheet index	revision sheet										

Pro/E

cage code 22526

PDM: Rev:F

STATUS: Released

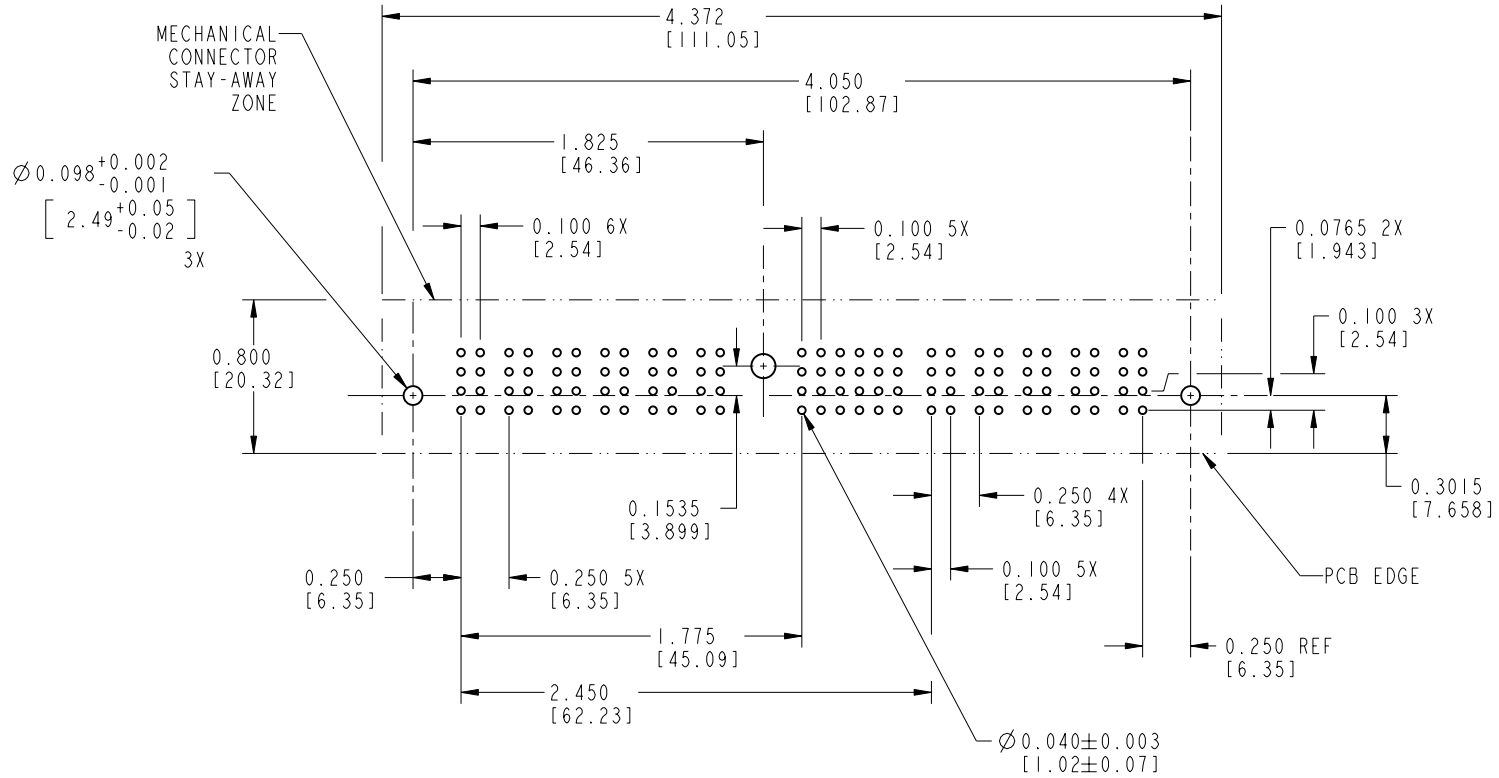
Printed: Dec 20, 2010

Tous droits strictement réservés. Reproduction ou communication o des liers interdite sous quelque forme que ce soit sans autorisation écrite du propriétaire. Propriete de c FCI. Droits de reproduction FCI.



All rights strictly reserved. Reproduction or issue to third parties in any form, whatever is not permitted without written authority from the proprietor. Property of FCI. Copyright FCI.

PRODUCT NUMBER
51413-XX001--
NOTE: ③



RECOMMENDED PCB LAYOUT

CONFIDENTIAL

mat'l code				tolerances unless otherwise specified		CUSTOMER COPY	FCI	
lfr	ecn no.	dr	date	linear	XX ± .01 / .X ± .3	projection	www.fciconnect.com	
F				angles	XXX ± .005 / .XX ± .13		title 5P + 24S + 1M + 6P VERTICAL SOLDER RECEPTACLE	
				dr	XXXX ± .0020 / .XXX ± .051	INCH/MM	product family	Pwr Blade
				enrg	0° ± 2°	scale	size	code
				chr	LEVEL V 01-06-99	1:1	dwg no	213
				appd	J. BROWN 01-06-99		51413	sheet 3 of 4
					J. BROWN 01-06-99			
sheet index	revision sheet							

cage code 22526

Pro/E

PDM: Rev:F

STATUS: Released

Printed: Dec 20, 2010

Tous droits strictement réservés. Reproduction ou communication o des liers interdité sous quelque forme que ce soit sans autorisation écrite du propriétaire. Propriété de c FCI. Droits de reproduction FCI.

All rights strictly reserved. Reproduction or issue to third parties in any form, whatever is not permitted without written authority from the proprietor. Property of FCI. Copyright FCI.

PRODUCT NUMBER	ITEM NO.	QTY	DIM "M" MATING LENGTH ±.010[0.25]	DIM "T" TAIL LENGTH ±.010[0.25]	CONTACT TYPE	PLATING FOR MATING	PLATING FOR TAIL
51413-XX001__ NOTE: 3	PA	11	0.042 [1.07]	0.135 [3.43]	POWER	30 u'' [.76um] Au	SnPb
	E	24	N/A [N/A]	0.135 [3.43]	SIGNAL	30 u'' [.76um] Au	Sn
	HA	3	N/A [N/A]	N/A [N/A]	HOLD-DOWN	N/A [N/A]	SnPb

PRODUCT No.	ROWS	POWER						HOLD	SIGNAL					POWER							
		E2	P11	P10	P9	P8	P7		P6	6	5	4	3	2	1	P5	P4	P3	P2	P1	E1
51413-XX001__ NOTE: 3	D C B A																				

CONNECTOR NOTES:

- HOUSING MATERIAL: GLASS FILLED HIGH TEMP THERMO PLASTIC, FLAME RETARDANT PER UL94 V-0.
SIGNAL CONTACT MATERIAL: COPPER ALLOY
POWER CONTACT MATERIAL: COPPER ALLOY
- MANUFACTURER NAME, P/N, AND LOT CODE TO APPEAR ON THIS SURFACE.
- 51413-XX001;51413-XX001LF;51413-XX001GLF PLATING SPEC. SEE PRINT:10064183

PCB NOTES

- ALL DIMENSIONS ARE BASIC UNLESS OTHERWISE SPECIFIED
- ALL THROUGH HOLES ARE LOCATED WITH A TRUE POSITION OF 0.004"
- ALL DIAMETERS ARE FINISHED HOLE SIZES
- Ø0.098" THROUGH HOLES ARE UNPLATED

CONFIDENTIAL

mat'l code				tolerances unless otherwise specified			CUSTOMER COPY		FCI		www.fciconnect.com	
ltr	ecr no.	dr	date	linear	XX ±.01/.X ±.3		projection		title			
F				angles	XXX ±.005/.XX ±.13				5P + 24S + 1M + 6P			
				dr	LEV V	01-06-99		INCH/MM	product family		Pwr Blade	code
				engr	J. BROWN	01-06-99	size		dwg no	213		
				chr	J. BROWN	01-06-99	51413		sheet			
				appd	J. BROWN	01-06-99	A		4 of 4			
sheet index	revision sheet											

Pro/E

cage code 22526