

PART NAME

PLASTIBOX (STYLE F)

PART No.

PS-11521

MATERIAL: HIGH-IMPACT ABS  
 COLOR: BLACK OR GRAY  
 FINISH: TEXTURED BODY WITH  
 SMOOTH TOP INSERT

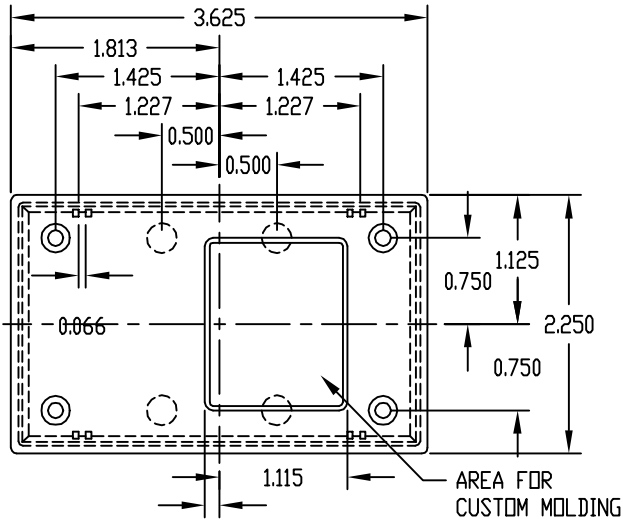
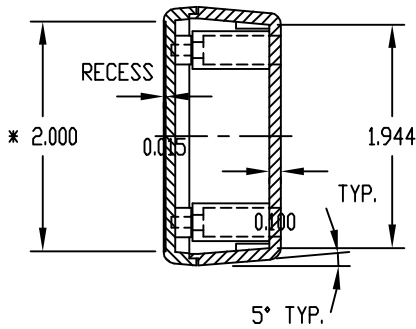
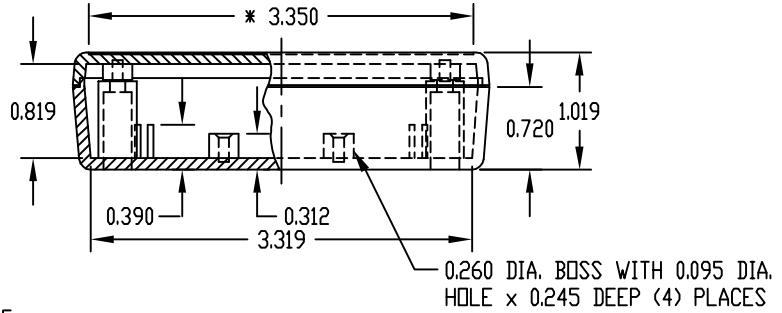
FOUR (4) #4 x 1/4 LG. SCREWS  
 SUPPLIED FOR ASSEMBLING TOP.

FOUR (4) NON-SKID PUSH-ON FEET SUPPLIED

\*-USABLE AREA ON TOP ALSO  
 AVAILABLE FOR CUSTOM MOLDING.

NOTE: ALL DIMENSIONS HAVE ±0.015 TOLERANCE  
 UNLESS OTHERWISE SPECIFIED.

MOUNTING BOSSES USE EITHER M2.5 METRIC  
 OR #4 STD. SHEET METAL SCREWS  
 x 3/16 LG. (NOT SUPPLIED)



PART NAME

PLASTIBOX (STYLE F) W/BATTERY COMPARTMENT

PART No.

0.125

PBS-11532

MATERIAL: HIGH-IMPACT ABS  
 COLOR: BLACK OR GRAY  
 FINISH: TEXTURED BODY WITH  
 SMOOTH TOP INSERT

9V BATTERY  
 COMPARTMENT

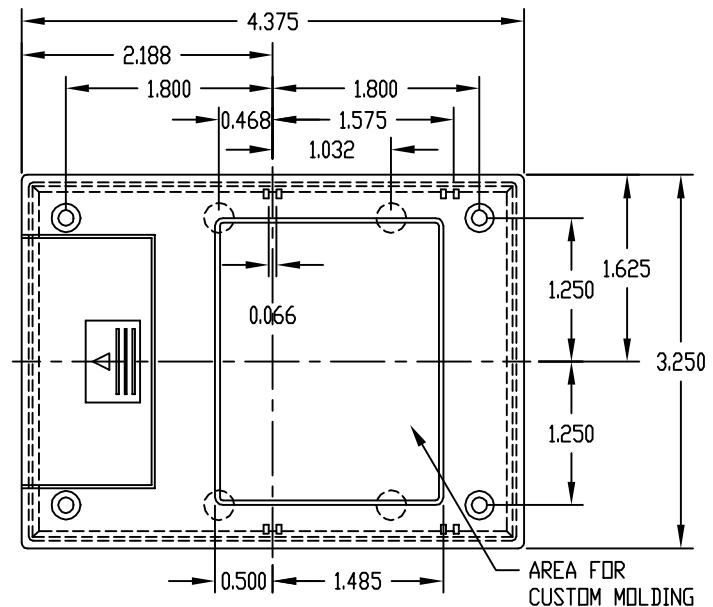
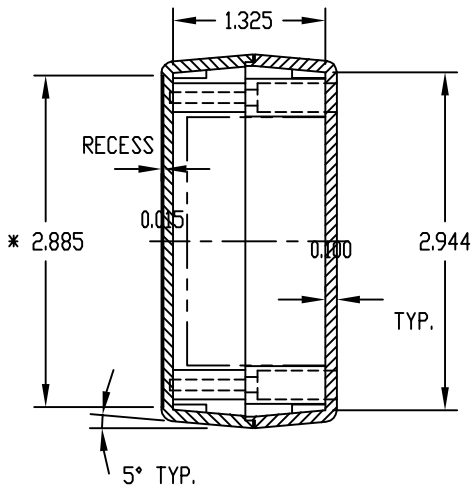
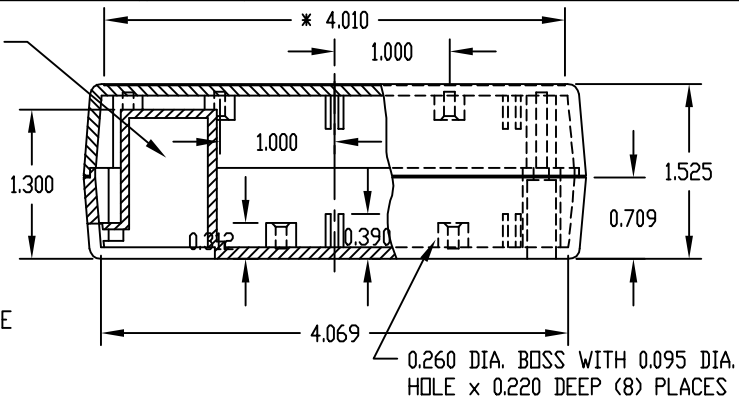
FOUR (4) M3 x 9.2mm LG. SCREWS  
 SUPPLIED FOR ASSEMBLING TOP.

FOUR (4) NON-SKID PUSH-ON FEET SUPPLIED

\*-USABLE AREA ON TOP ALSO  
 AVAILABLE FOR CUSTOM MOLDING.

NOTE: ALL DIMENSIONS HAVE ±0.015 TOLERANCE  
 UNLESS OTHERWISE SPECIFIED.

MOUNTING BOSSES USE EITHER M2.5 METRIC  
 OR #4 STD. SHEET METAL SCREWS  
 x 3/16 LG. (NOT SUPPLIED)



REVISED 1-21-09