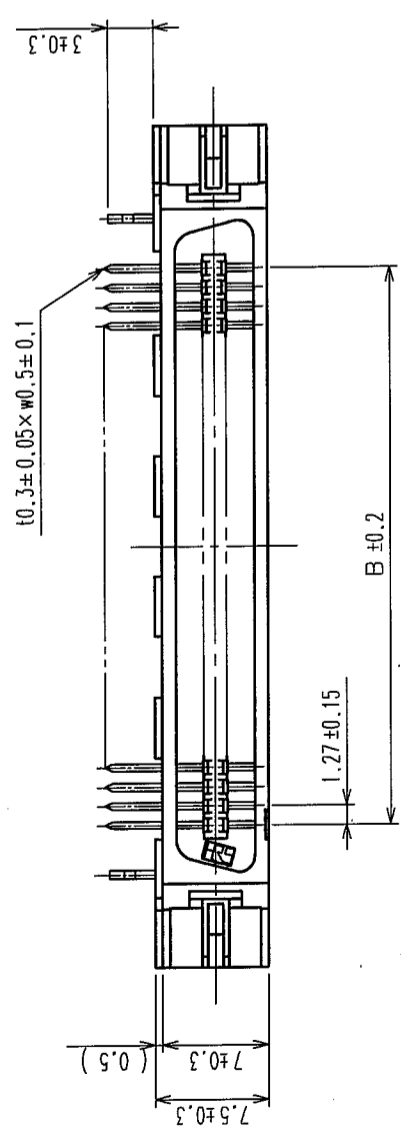
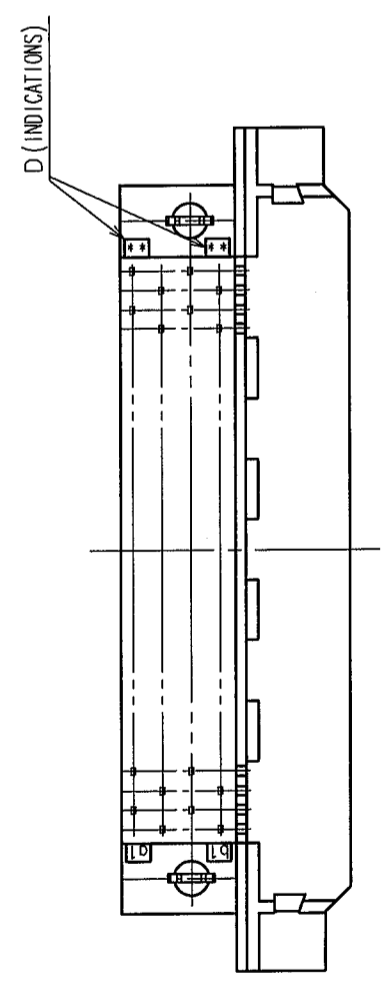
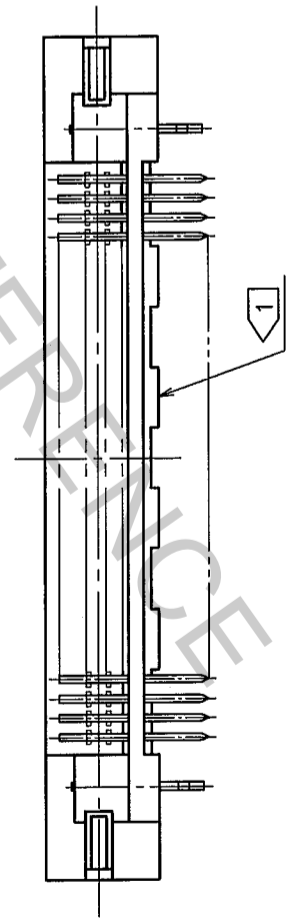
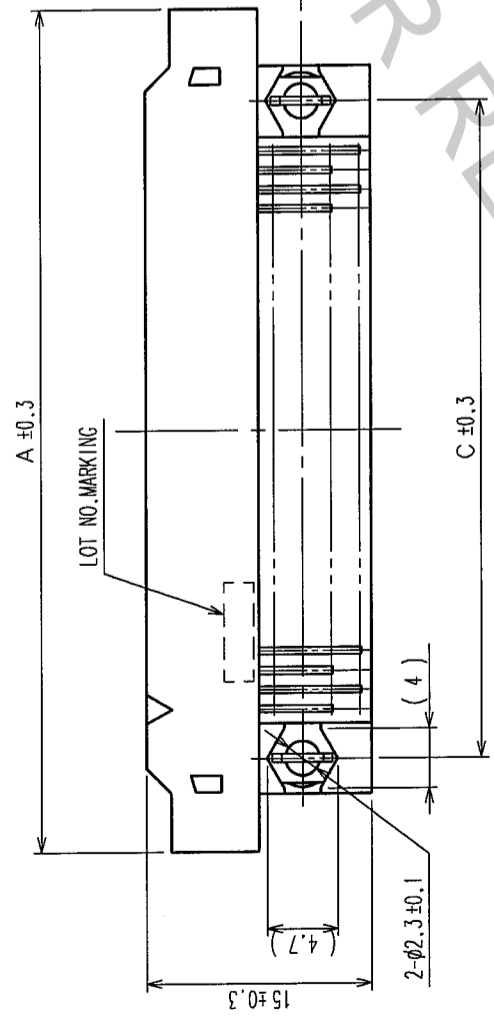
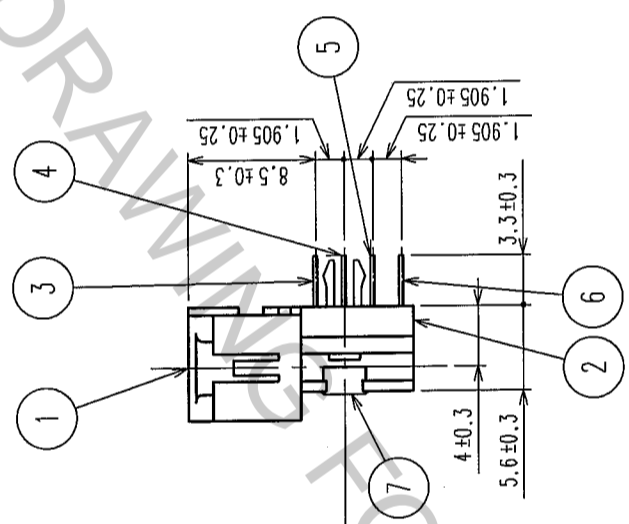
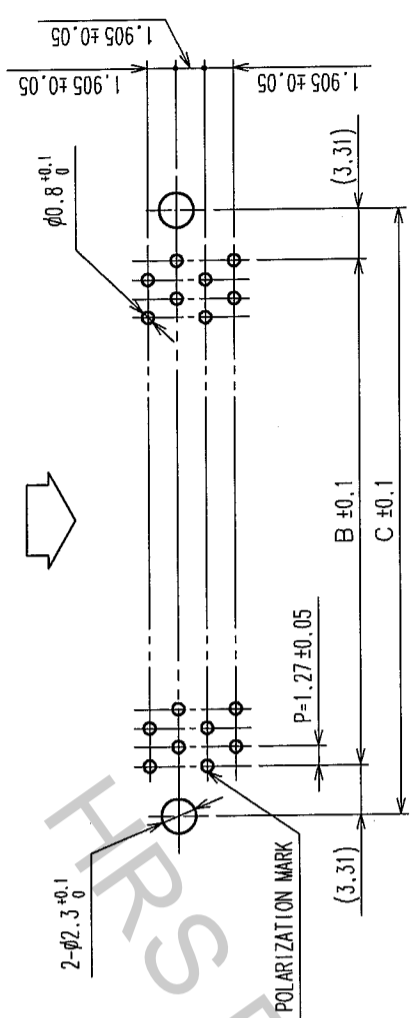


| COUNT | DESCRIPTION OF REVISIONS | BY | CHKD | DATE | COUNT | DESCRIPTION OF REVISIONS | BY | CHKD | DATE |
|-------|--------------------------|----|------|------|-------|--------------------------|----|------|------|
| | | | | | | | | | |
| | | | | | | | | | |
| | | | | | | | | | |



RECOMMEND PC BOARD HOLE PATTERN (MOUNTING SIDE)

MATING SIDE



| PART No. | CODE No. | A | B | C | D |
|------------------------|-----------------|-----|-------|-------|-------|
| FX2B-20PA-1.27DSL(71) | CL572-0771-5-71 | 20 | 30.33 | 11.43 | 18.05 |
| FX2B-32PA-1.27DSL(71) | CL572-0772-8-71 | 32 | 37.95 | 19.05 | 25.67 |
| FX2B-40PA-1.27DSL(71) | CL572-0773-0-71 | 40 | 43.03 | 24.13 | 30.75 |
| FX2B-52PA-1.27DSL(71) | CL572-0774-3-71 | 52 | 50.65 | 31.75 | 38.37 |
| FX2B-60PA-1.27DSL(71) | CL572-0775-6-71 | 60 | 55.73 | 36.83 | 43.45 |
| FX2B-68PA-1.27DSL(71) | CL572-0776-9-71 | 68 | 60.81 | 41.91 | 48.53 |
| FX2B-80PA-1.27DSL(71) | CL572-0777-1-71 | 80 | 68.43 | 49.53 | 56.15 |
| FX2B-100PA-1.27DSL(71) | CL572-0778-4-71 | 100 | 81.13 | 62.23 | 68.85 |

NOTES
 1 STANDOFF DIFFERS ACCORDING TO PRODUCTS.
 2 NUMBER OF PIN.
 3. THE DIMENSIONS IN PARENTHESES ARE FOR REFERENCE.

| 7 | PHOSPHOR BRONZE | TIN-PLATING | 3~6 | BRASS | CONTACT AREA: GOLD FLASH |
|-----------------|-----------------|-----------------|---------|-----------------------|-------------------------------|
| 1,2 | POLYAMIDE | BLACK | UL94V-0 | | DIP AREA: TIN-PLATING 2μm min |
| NO. | MATERIAL | FINISH, REMARKS | NO. | MATERIAL | UNDER PLATING: NICKEL 1μm min |
| CODE NO. (COLD) | | CL | CL | | |
| DRAWING NO. | | EDC3-151041-21 | | PART NO. | |
| SCALE | | FREE | | FX2B-**PA-1.27DSL(71) | |
| UNITS | | mm | | CODE NO. | |
| | | | | CL572 | |
| | | | | 1/1 | |

TO
PCK