

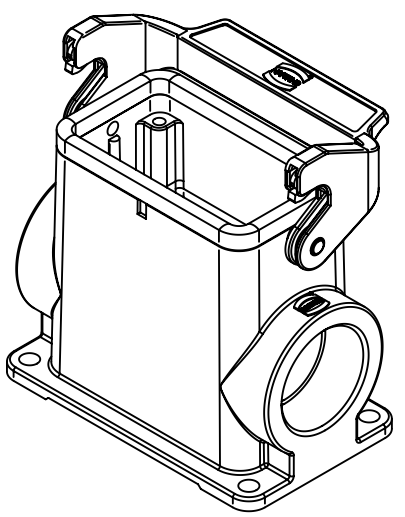
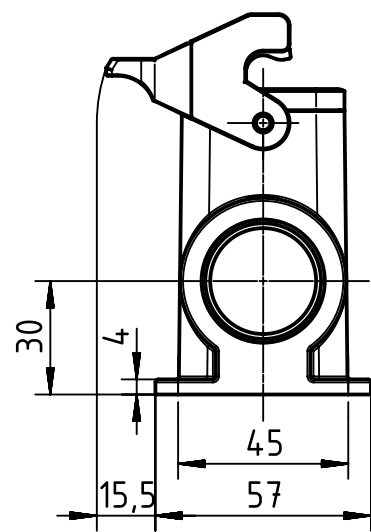
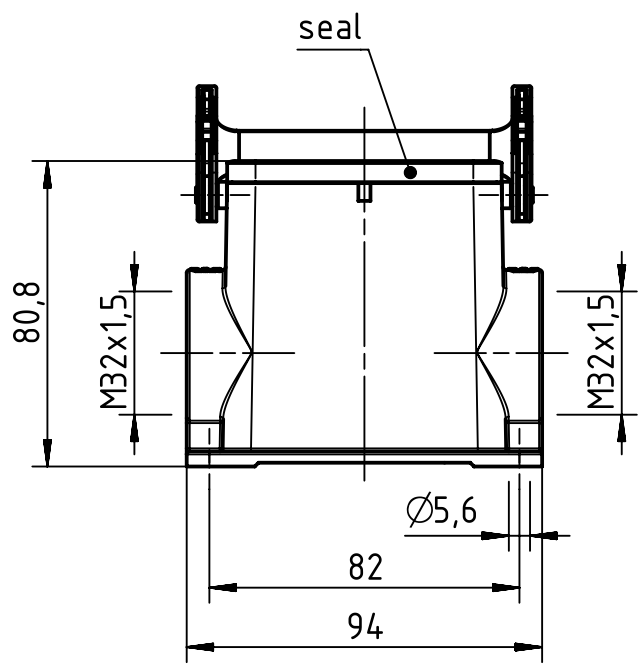
1 2 3 4 5 6


A

B

C

D



	All rights reserved Department EL PD - DE	All Dimensions in mm Original Size DIN A4		Scale 1:2	Free size tol.	Ref. Sub. TB 19 30 010 0292 v. 19.02.09	
		Created by SPRENB	Inspected by BERGHORN	Standardisation TIEMANNA	Date 2014-01-30	State Final Release	
HARTING Electric GmbH & Co. KG D-32339 Espelkamp		Title Han B Base Surface HC 1 Lever 2 x M32				Doc-Key / ECM-Nr. 100209249/UGD/004/A 500000071121	
		Type TB	Number 19 30 010 0292		Rev. A	Page 1/1	