



80 and 100 W - 10 Nm - Right-angle gearbox 801810 TNi20 - PWM Part number 80181001



With or without integrated control electronics

- Output perpendicular to motor
- Ideal for short reduction ratios
- Ideal for very compact applications
- Silent operation
- Non-reversible movement at high ratios

Part numbers

	Type	With built-in electronic control	Without built-in control, with Hall effect sensors	Ratios (i)	Output speed (rpm) 24 V DC	Available torque (Nm)
80181001	801810 TNi20 - PWM	TNi20	-	5	650	1,0
CONTACT US	801810 TNi20 - PWM	TNi20	-	5	600	1,3
80181002	801810 TNi20 - PWM	TNi20	-	10	325	1,7
CONTACT US	801810 TNi20 - PWM	TNi20	-	10	300	2,1
80181003	801810 TNi20 - PWM	TNi20	-	20	163	2,9
CONTACT US	801810 TNi20 - PWM	TNi20	-	20	150	3,6
80181004	801810 TNi20 - PWM	TNi20	-	30	108	3,5
CONTACT US	801810 TNi20 - PWM	TNi20	-	30	100	4,3
80181006	801810 TNi20 - PWM	TNi20	-	50	65	4,1
CONTACT US	801810 TNi20 - PWM	TNi20	-	50	60	5,1
80181010	801810 TNi20 - 0/10 V	TNi20	-	5	650	1,0
CONTACT US	801810 TNi20 - 0/10 V	TNi20	-	5	600	1,3
80181011	801810 TNi20 - 0/10 V	TNi20	-	10	325	1,7
CONTACT US	801810 TNi20 - 0/10 V	TNi20	-	10	300	2,1
80181012	801810 TNi20 - 0/10 V	TNi20	-	20	163	2,9
CONTACT US	801810 TNi20 - 0/10 V	TNi20	-	20	150	3,6
80181013	801810 TNi20 - 0/10 V	TNi20	-	30	108	3,5
CONTACT US	801810 TNi20 - 0/10 V	TNi20	-	30	100	4,3
80181015	801810 TNi20 - 0/10 V	TNi20	-	50	65	4,1
CONTACT US	801810 TNi20 - 0/10 V	TNi20	-	50	60	5,1
CONTACT US	801815	-	yes	5	650	1,0
MADE TO ORDER	801815	-	yes	5	600	1,3
CONTACT US	801815	-	yes	10	325	1,7
MADE TO ORDER	801815	-	yes	10	300	2,1
CONTACT US	801815	-	yes	20	163	2,9
MADE TO ORDER	801815	-	yes	20	150	3,6
CONTACT US	801815	-	yes	30	108	3,5
MADE TO ORDER	801815	-	yes	30	100	4,3
CONTACT US	801815	-	yes	50	65	4,1
MADE TO ORDER	801815	-	yes	50	60	5,1

Specifications

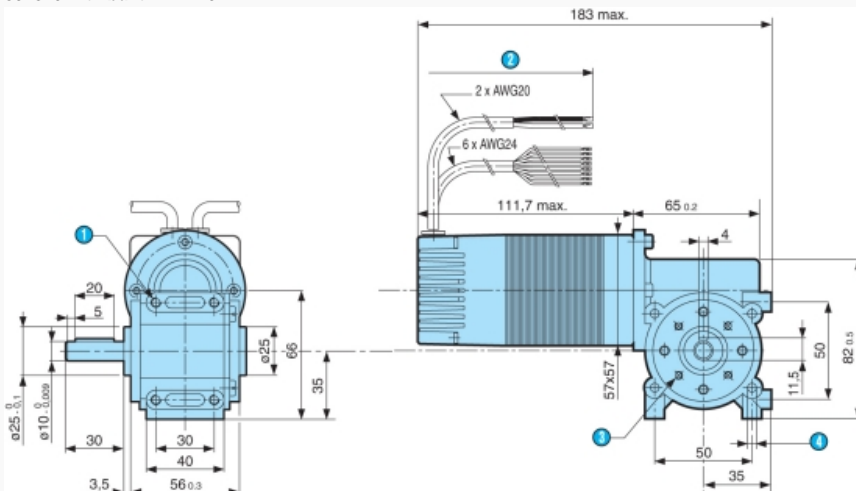
General characteristics

Motor	801800
Nominal motor power at 24 V (W)	80

Speed control	PWM
Axial load dynamic (N)	100
Radial load dynamic (N)	150
Temperature rise at 50 % cycle (°C)	45
Weight (g)	1920
Protection index	IP54

Dimensions (mm)

801810 with built-in TNi20



N°	Legend
1	4 x M5 over depth 8 mm
2	Length of cable 500 ± 5 mm
3	4 x M4 over Ø 36 depth 8 mm
4	4 x M5 depth 8 mm

Precautions for use

The limits and precautions for use described in the 80 W brushless motor section must be observed. Continuous use may cause the gearbox to overheat.

This geared motor is recommended for applications in which the operating time does not exceed 50 % of the total time. For longer times, please consult us.

Product adaptations



- 2-quadrant speed regulation
- With built-in electronic card TNi20
- No lead output but connector in motor
- Dimensions of gearbox shaft
- Cable length, with or without connector
- Other reduction ratios
- Other windings
- Mechanical holding brake