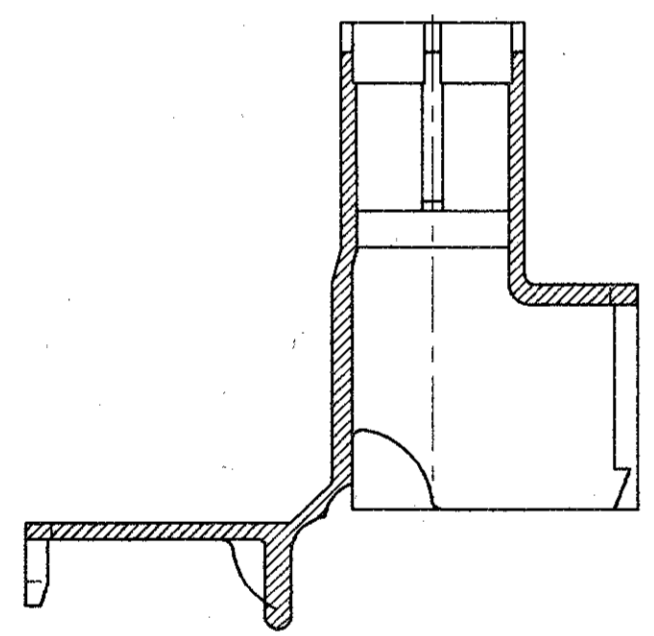
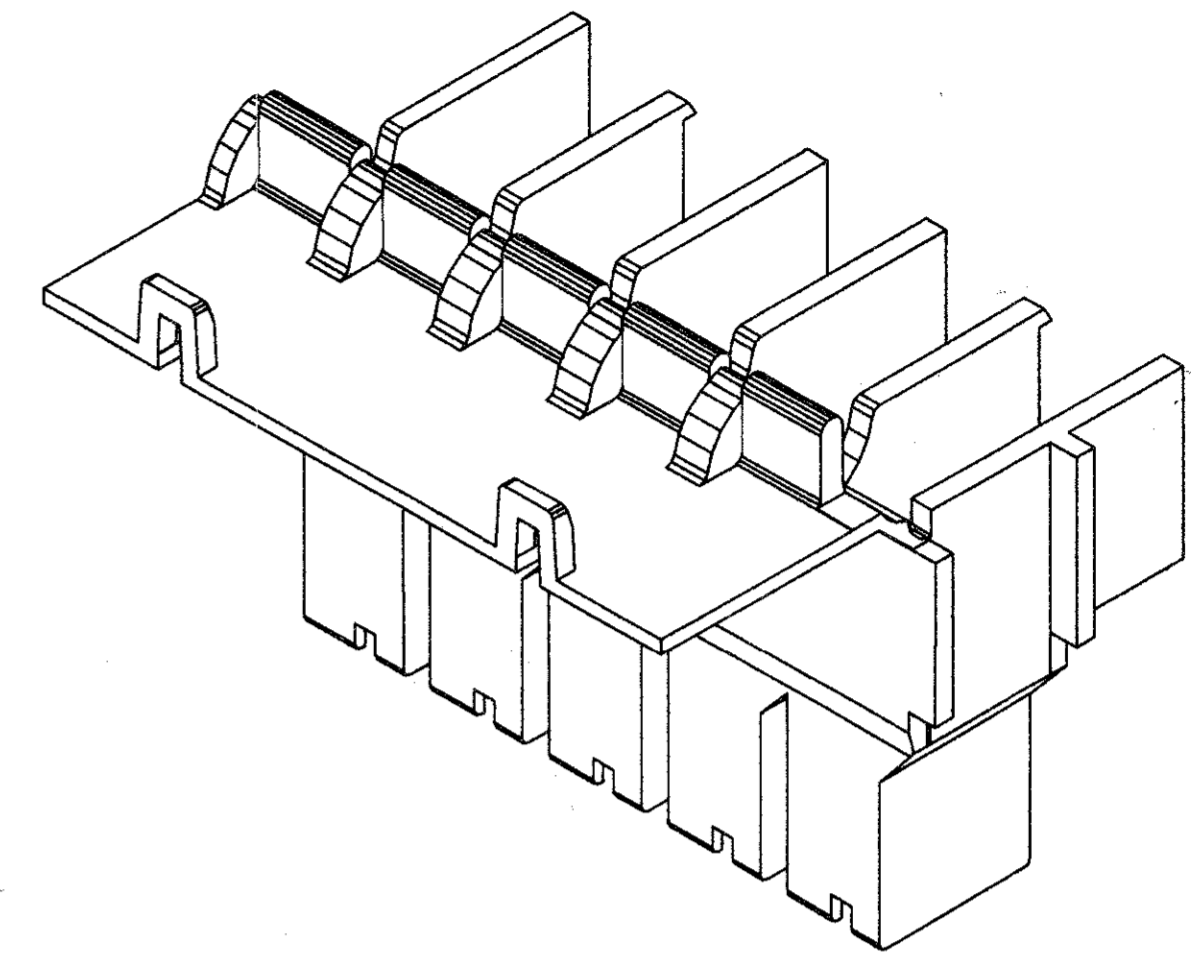
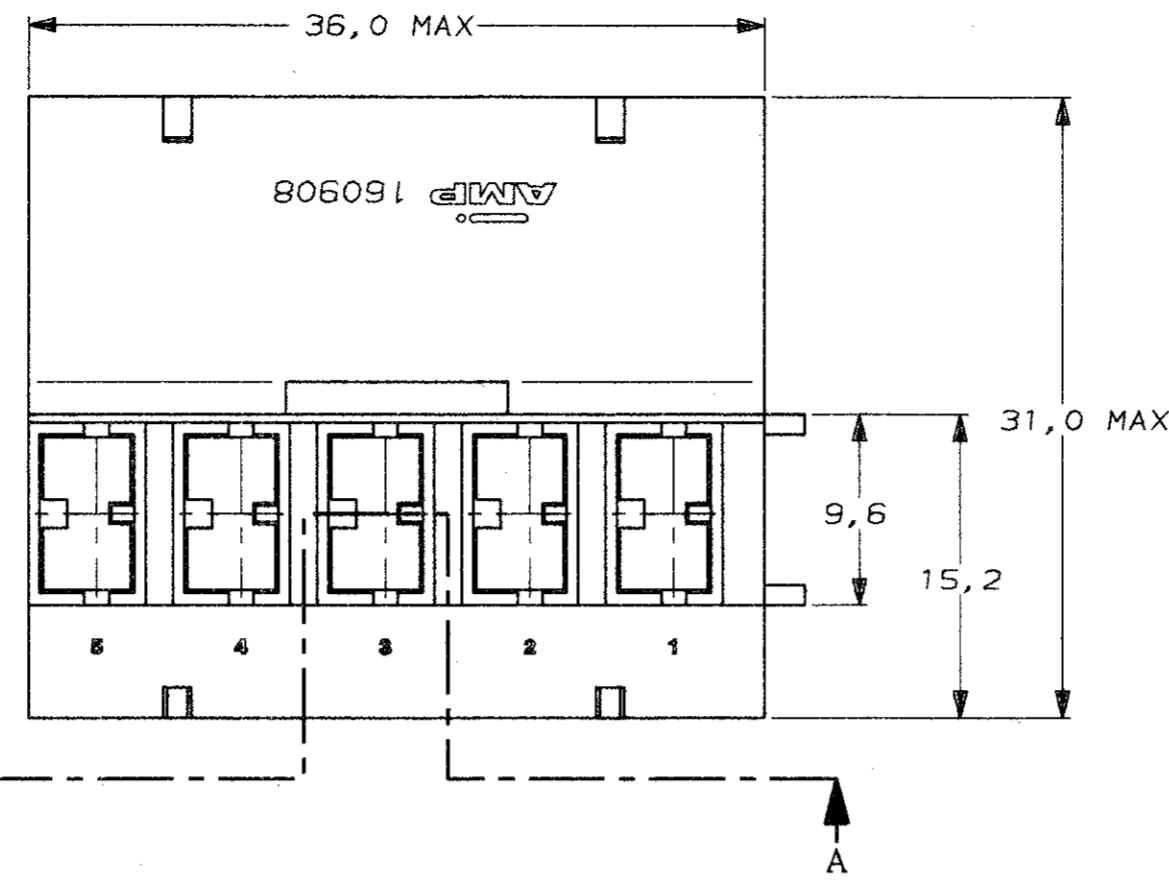


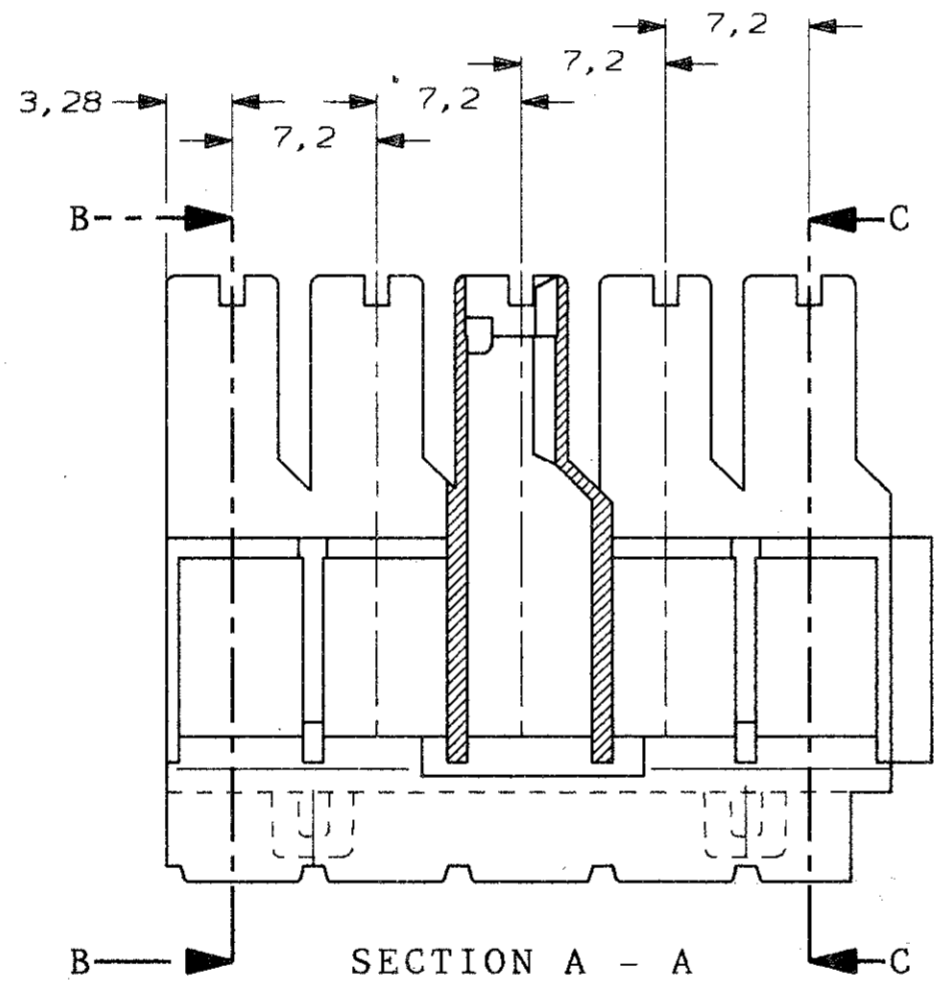
DO NOT SCALE  
DIMENSIONS IN mm

METRIC

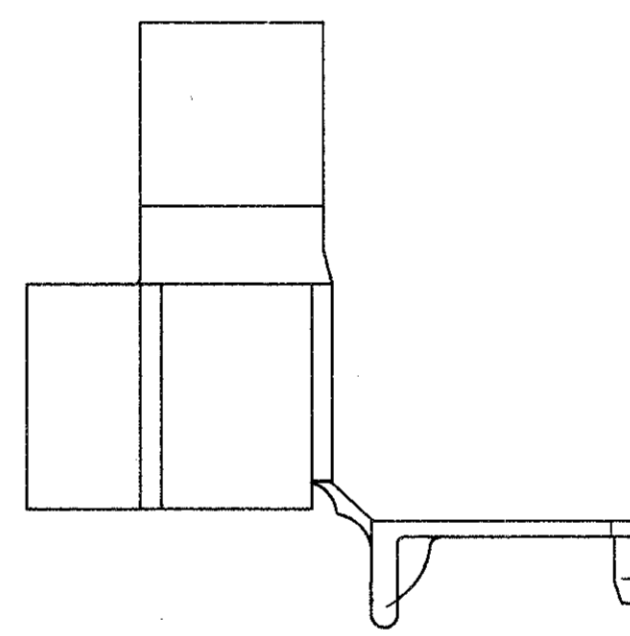
THIRD ANGLE  
PROJECTION



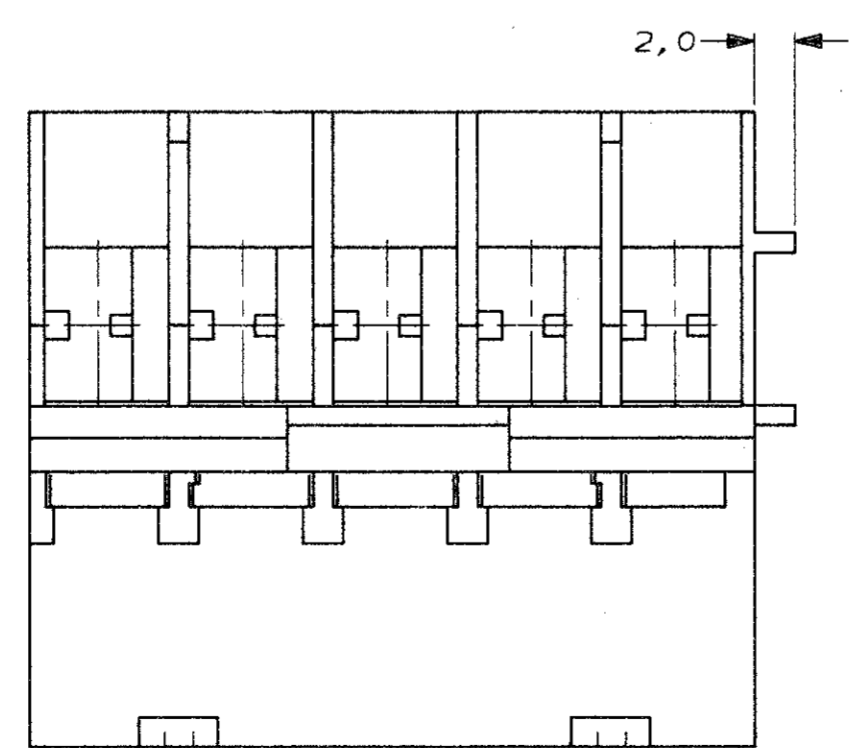
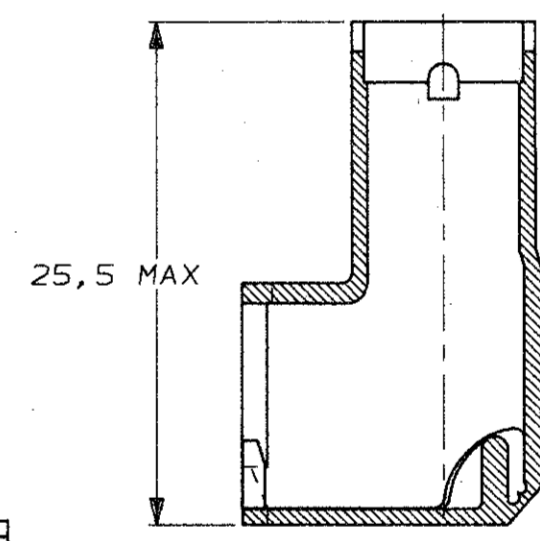
SECTION B - B



SECTION A - A



SECTION C - C  
AS CLOSED



BLACK	POLYAMIDE	160908-5
---		160908-4
---	6/6	160908-3
---		160908-2
NATUREL	94V2	160908-1
COLOR	MATERIAL	PARTNUMBER

**CUSTOMER DRAWING**

FOR REFERENCE ONLY  
WILL NOT BE UPDATED

AMP  
AMP-HOLLAND B.V.  
's-Hertogenbosch, The Netherlands.

THIS DRAWING IS UNPUBLISHED RELEASED FOR PUBLICATION sept, 1987

© COPYRIGHT 1987 BY AMP-HOLLAND B.V.  
ALL INTERNATIONAL RIGHTS RESERVED.  
AMP PRODUCTS MAY BE COVERED BY U.S. AND FOREIGN PATENTS AND/OR PATENTS PENDING.

DR. R.v.Lokven	DATE 15.07.87	WIRE RANGE -	NAME 5 POS POSITIVE LOCK FLAG HSG WITH SECONDARY LOCKING.	REV. DATE D M Y 07 04 88
CHK. A.B.	DATE 07.09.87	INSUL. RANGE -		
APP. L.v.Soest	DATE 09.09.87	SIZE A2	SHEET 1 OF 1	DWG. No. C-160908

REV. LTR.  
A