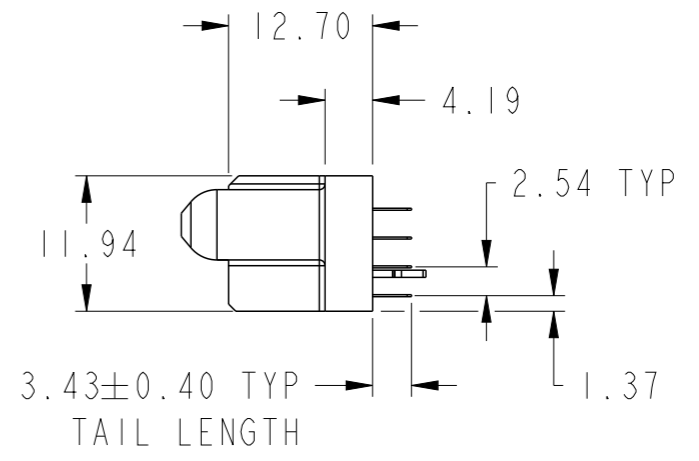
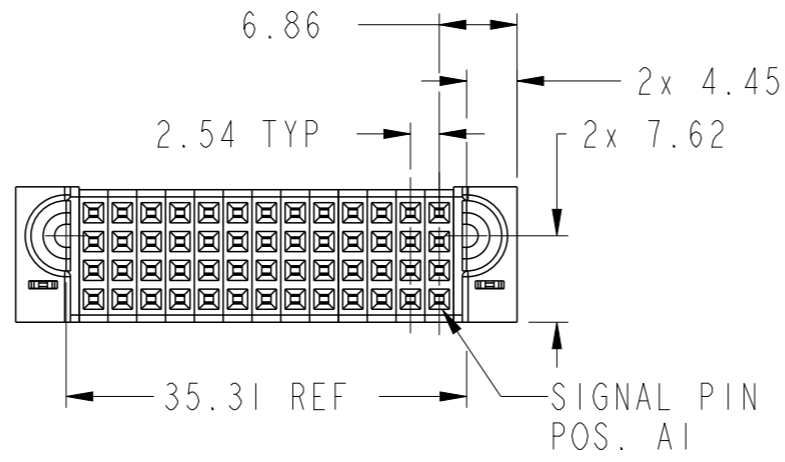
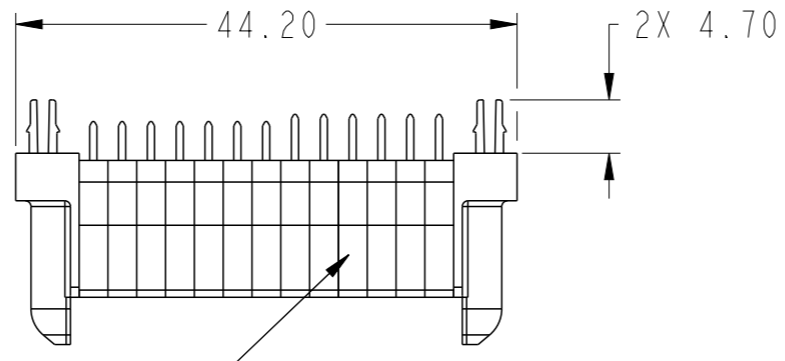
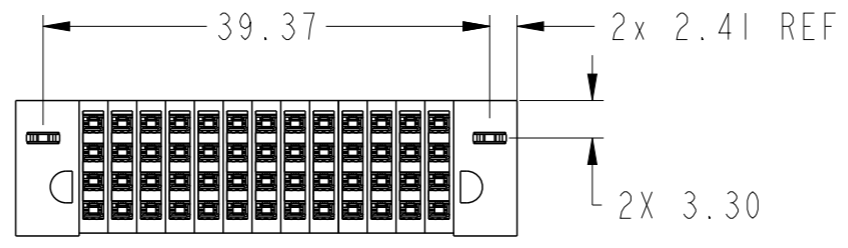


PRODUCT NUMBER SEE SHEET 2

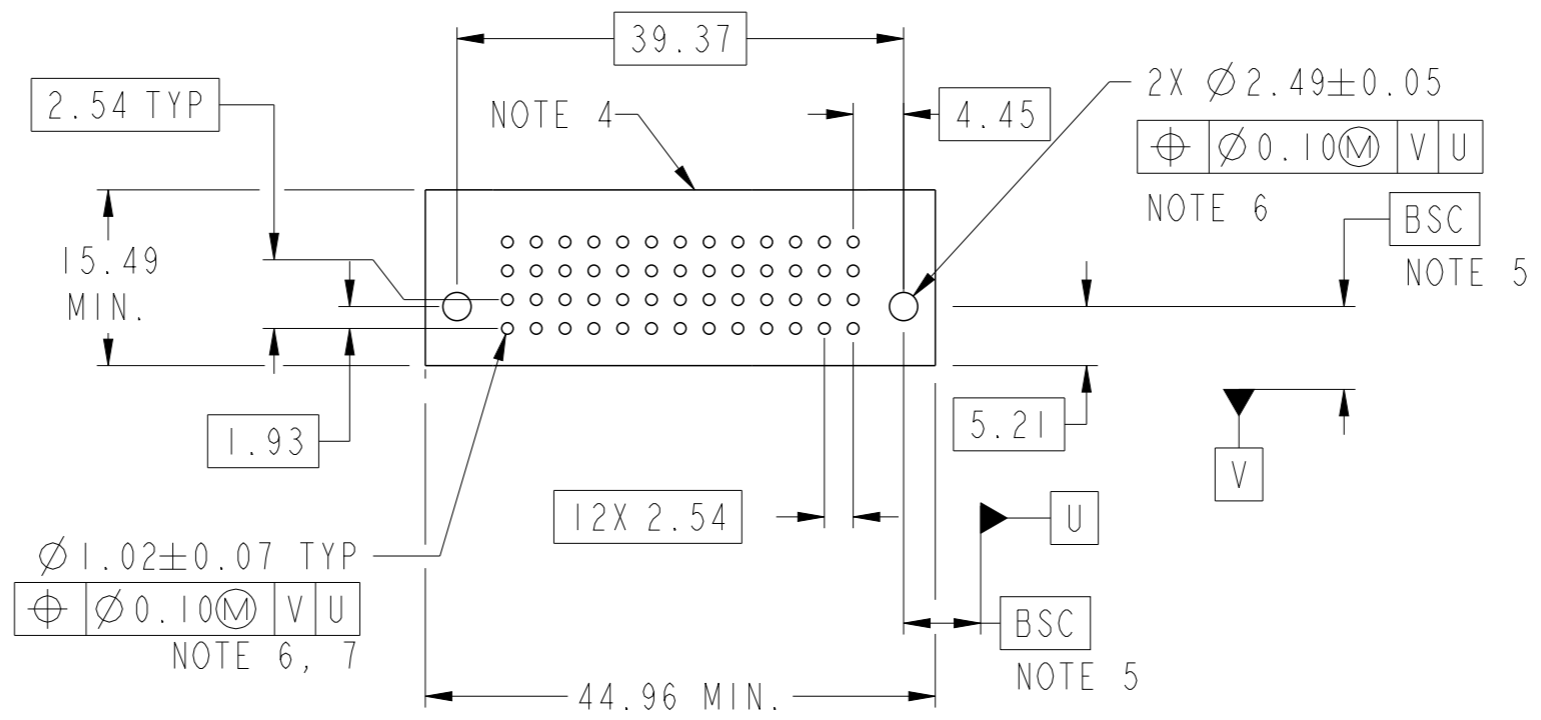


spec ref		dr	Rainbow Zhan	2014/07/04	projection	MM	size	A3	scale	3:2	
tolerance std		eng	Rainbow Zhan	2014/07/15			ecn no		-		
ASME Y14.5		chr	Li-He	2014/07/14			rel level		Released		
TOLERANCES UNLESS OTHERWISE SPECIFIED		appr	Pei-Ming Zheng	2014/07/15	product family		PowerBlade+		-		
surface		linear	0.X	±0.50		title		52S		dwg no 10106268-0013101	rev A
			0.XX	±0.25		VT STB RECEPTACLE					
			0.XXX	±0.10		cat. no.					
ASME Y14.5		angular	0°	±2°	www.fci.com		Product - Customer Drw		sheet 1 of 3		

Copyright FCI. FCI

PRODUCT NO.	ROWS	SIGNAL															
		E1	13	12	11	10	9	8	7	6	5	4	3	2	1	E2	
10106268-001310ILF	D C B A	E	E	E	E	E	E	E	E	E	E	E	E	E	E	E	E
		E	E	E	E	E	E	E	E	E	E	E	E	E	E	E	E
		E	E	E	E	E	E	E	E	E	E	E	E	E	E	E	E
		E	E	E	E	E	E	E	E	E	E	E	E	E	E	E	E

CODE	DESCRIPTION
E	STD SIGNAL CONTACT
HA	METAL HOLD DOWN



Copyright FCI.

dr	Rainbow Zhan	2014/07/04	projection MM ←→	size	A3	scale	3:2
eng	Rainbow Zhan	2014/07/15		ecn no	-		
chr	Li-He	2014/07/14		rel level	Released		
appr	Pei-Ming Zheng	2014/07/15	product family	PowerBlade+			
www.fci.com		cat. no.	52S		dwg no	10106268-0013101	
			VT STB RECEPTACLE		rev	A	
			Product - Customer Drw		sheet 2 of 3		

A

B

C

D

A

B

C

D

NOTES:

- 1) "FCI", PART NUMBER AND DATE CODE TO BE MARKED ON THIS SURFACE.
THE MARK CAN BE OMITTED IF THERE IS NOT ENOUGH SPACE ON THIS SURFACE.
- 2) MATERIALS:
-HOUSING - GLASS FILLED WITH HIGH TEMP THERMOPLASTIC, UL94V-0.
-SIGNAL CONTACT - COPPER ALLOY.
-POWER CONTACT - HIGH CONDUCTIVITY COPPER ALLOY.
- 3) PLATING SPECIFICATION REFER TO FCI 10124315.
- 4) DENOTES CONNECTOR KEEP OUT ZONE.
- 5) DATUM AND BASIC DIMENSIONS WERE ESTABLISHED BY CUSTOMER.
- 6) ALL HOLE DIAMETERS ARE FINISHED HOLE SIZES.
- 7) 1.15 ± 0.025MM DRILLED HOLE PLATED WITH 0.00762MM MIN Sn
OVER 0.0254-0.0762MM Cu PLATING TO ACHIEVE A 1.02 ± 0.07MM HOLE.
- 8) PRODUCT SPECIFICATION REFER TO FCI GS-12-658.
APPLICATION SPECIFICATION REFER TO FCI GS-20-141.
PRODUCT PACKAGED IN TRAYS, REFER TO FCI GS-14-1502.
- 9) THE VOID CORING IN BETWEEN POWER MODULES, SIGNAL
MODULES AND END MODULES ARE OPTIONAL AND THE SHAPE
MAY BE DIFFERENT FOR OPTIMIZE THE MOLDING PROCESS. THE
VOID CORING WILL NOT EFFECT TO PRODUCT FUNCTION.



Copyright FCI.

dr	Rainbow Zhan	2014/07/04	projection 	MM ←→	size	A3	scale	1:1	
eng	Rainbow Zhan	2014/07/15			ecn no	-			
chr	Li-He	2014/07/14			rel level	Released			
appr	Pei-Ming Zheng	2014/07/15	product family	PowerBlade+					
		title	52S		dwg no	10106268-0013101		rev	A
www.fci.com		cat. no.	Product - Customer Drw		sheet 3 of 3				