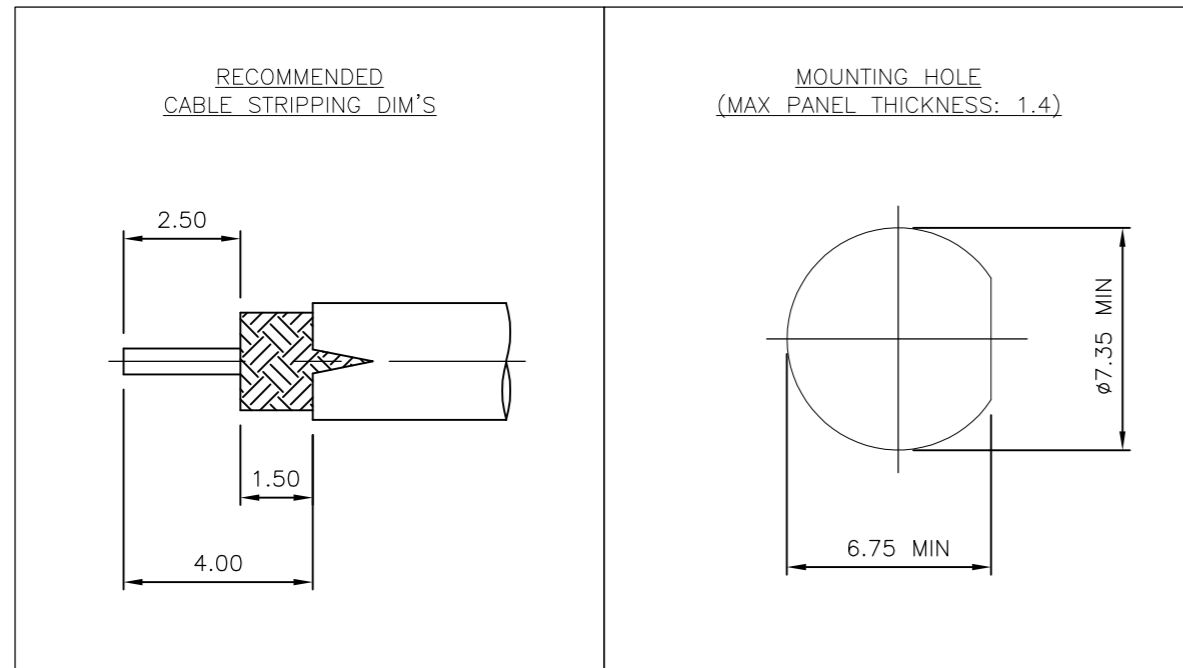
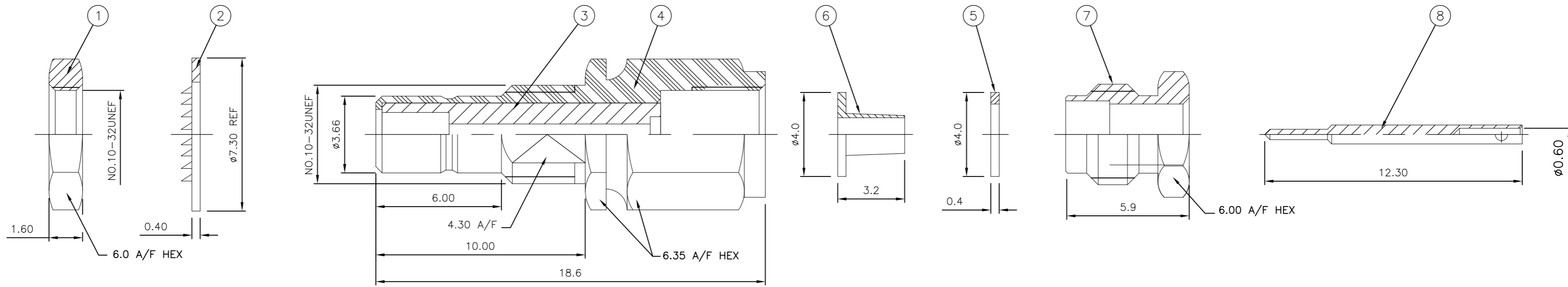
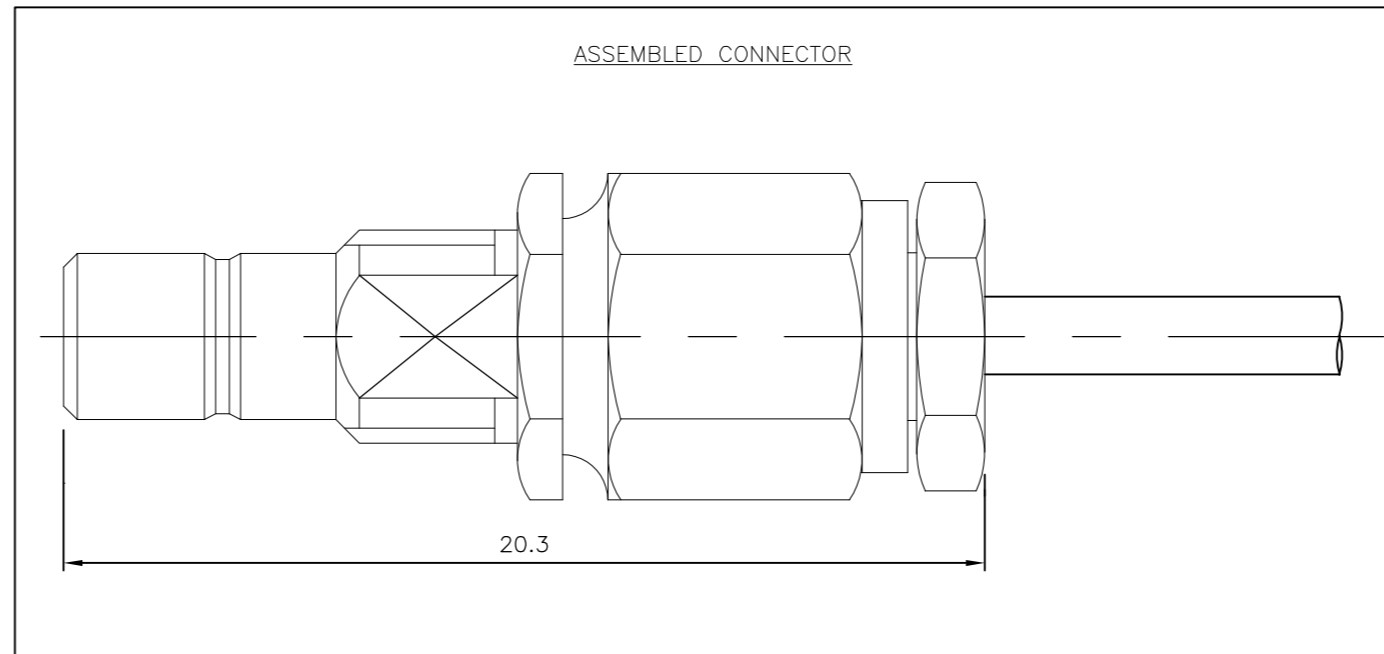


THIS DRAWING IS UNPUBLISHED. RELEASED FOR PUBLICATION JAN , 2006.
 © COPYRIGHT 2006 BY TYCO ELECTRONICS CORPORATION. ALL RIGHTS RESERVED.

LOC		DIST		REVISIONS			
P	LTR	DESCRIPTION	DATE	DWN	APVD		
D		ECR-07-026310	02NOV07	JMS	FWK		

- NOTES:
- ⚠ PACK IN ACCORDANCE WITH AMP SPEC 107-3275
 - ⚠ 100 TRAY PACK IN ACCORDANCE WITH AMP SPEC 107-3275
 - ⚠ Au PLATING

- 4 ELECTRICAL CHARACTERISTICS
- | | |
|--------------------------------|----------------------------|
| FREQUENCY RANGE: | DC - 4 GHz |
| NOMINAL IMPEDANCE: | 50 Ohm |
| INSULATION RESISTANCE: | 1000 MOhm |
| WORKING VOLTAGE: | 250 Volts RMS at Sea Level |
| DIELECTRIC WITHSTAND VOLTAGE: | 750 Volts RMS Max |
| CONTACT RESISTANCE: | |
| CENTRE CONTACT: | 6.00 mOhm Max |
| OUTER CONTACT: | 1.00 mOhm Max |
| VSWR @ 4GHz: | 1.35:1 |
| INSERTION LOSS dB @ x 1.5 GHz: | 0.30 Max |
- 5 MECHANICAL CHARACTERISTICS
- | | |
|---------------------------------|----------------|
| COUPLING NUT RETENTION FORCE: | N/A |
| CABLE RETENTION FORCE: | |
| RG174A/U, 188A/U, 316/U, URM95: | 85N Min |
| CLAMP NUT RECOMMENDED TORQUE: | 0.6N |
| MOUNT NUT RECOMMENDED TORQUE: | 0.75N |
| DURABILITY: | 500 Cycles Min |
- 6 ENVIRONMENTAL CHARACTERISTICS
- | | |
|------------------------|------------------|
| OPERATING TEMPERATURE: | -65 to +165 DegC |
|------------------------|------------------|



QTY	QTY PER ASSY	QTY PER ASSY	MATERIAL	DESCRIPTION	ITEM
1	1	1	BRASS	CONTACT	8
1	1	1	BRASS	CLAMP NUT	7
1	1	1	BRASS	CLAMP FERRULE	6
1	1	1	BRASS	CLAMP WASHER	5
1	1	1	BRASS	BODY	4
1	1	1	PTFE	INSULATION	3
1	1	1	BRASS	LOCKWASHER	2
1	1	1	BRASS	HEX NUT	1
6--0	1--0				

THIS DRAWING IS A CONTROLLED DOCUMENT.

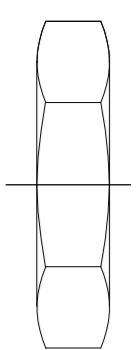
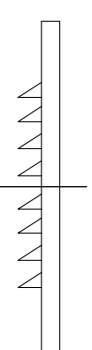
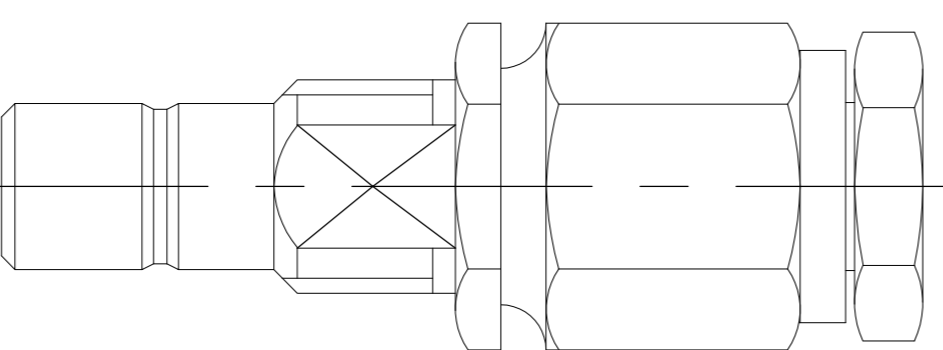
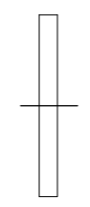
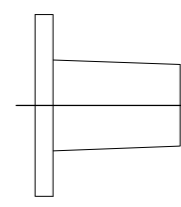
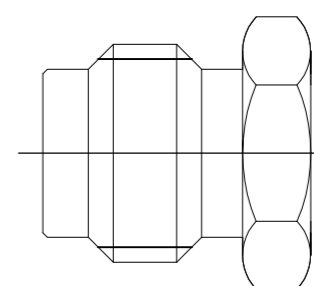
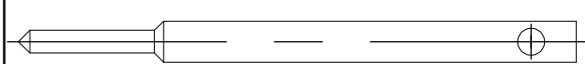
DWN	J.SANDWELL	10DEC06	Tyco Electronics Corporation Bideford, UK, EX39 4HE	
CHK	S.PARLOW	10DEC06		
APVD	F.WHEELER-KING	10DEC06		
PRODUCT SPEC				
APPLICATION SPEC	SEE PAGE 2		NAME	SMB BULKHEAD JACK REAR MOUNT SOLDER 50 OHM RG174A/U, 188A/U, 316/U, URM95, KX3B, KX22A
MATERIAL	SEE TABLE		SIZE	A2
FINISH			CAGE CODE	00779
			DRAWING NO	C=1337476
			RESTRICTED TO	
			CUSTOMER DRAWING	SCALE NTS SHEET 1 of 2 REV D

1337476

THIS DRAWING IS UNPUBLISHED. RELEASED FOR PUBLICATION JAN , 2006.
 © COPYRIGHT 2006 BY TYCO ELECTRONICS CORPORATION. ALL RIGHTS RESERVED.

LOC	DIST	REVISIONS					
E	B	P	LTR	DESCRIPTION	DATE	DWN	APVD
		-		SEE SHEET 1		-	-

COMPONENTS

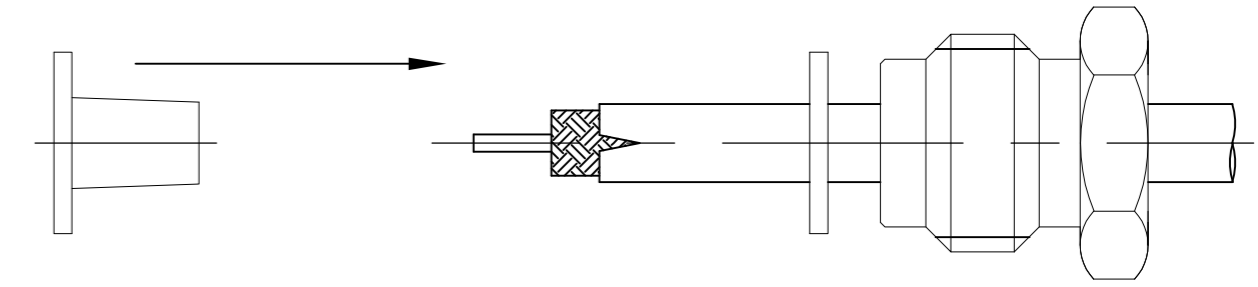
HEX NUT (ITEM 1)	LOCKWASHER (ITEM 2)	MAIN BODY (ITEM 3,4)	CLAMP WASHER (ITEM 5)	CLAMP FERRULE (ITEM 6)	CLAMP NUT (ITEM 7)	CONTACT (ITEM 8)
						

ASSEMBLY INSTRUCTION

CABLES: RG174A/U, 188A/U, 316/U, URM95, KX3B, KX22A

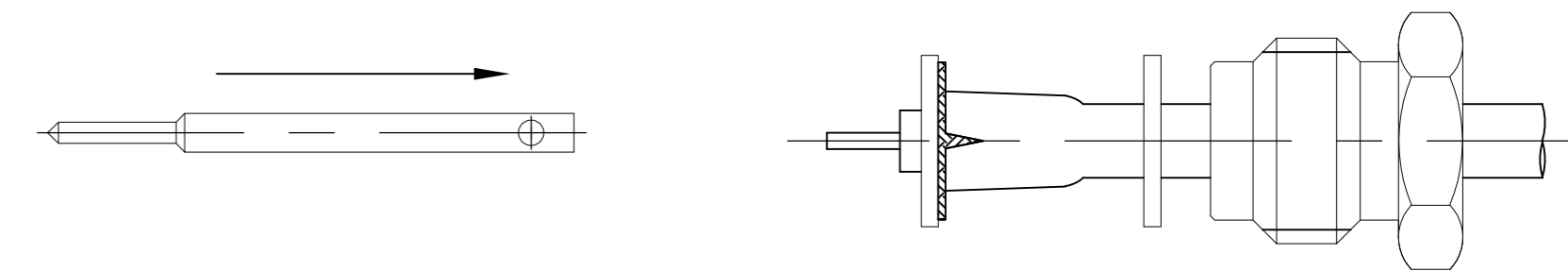
STEP 1

1. SLIDE CLAMP NUT AND CLAMP WASHER (ITEM 5 & 7) OVER WIRE IN CONFIGURATION AND ORIENTATION SHOWN
2. STRIP CABLE TO DIMENSIONS SHOWN ON PAGE 1 NOTING SIDE SLIT IN CABLE TO EASE ASSEMBLY OF CLAMP FERRULE



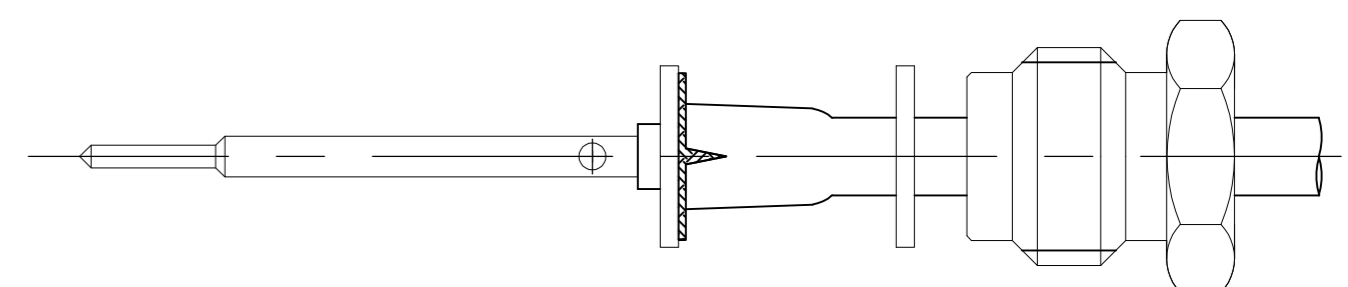
STEP 2

1. PUSH CLAMP FERRULE (ITEM 6) UP UNDER CABLE BRAID AND PUSH HOME UNTIL FULLY BUTTED UP TO THE END OF CABLE OUTER COVER



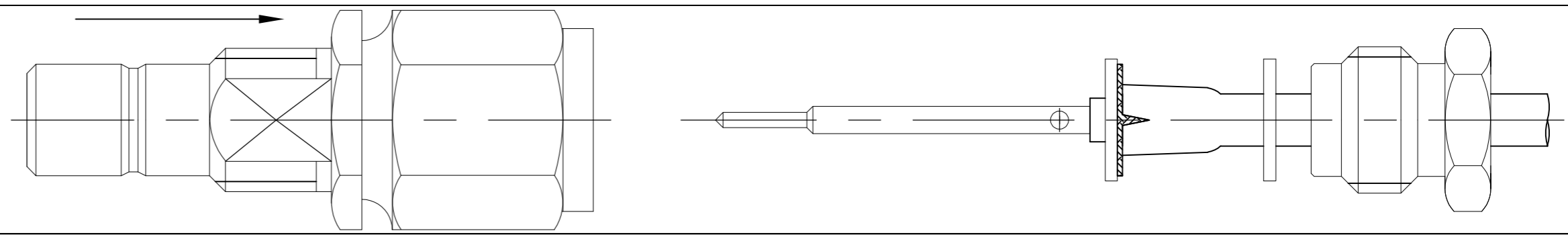
STEP 3

1. TIN CENTRE CONTACT
2. FIT CONTACT OVER CONDUCTOR TO BUTT AGAINST DIELECTRIC.
3. SOLDER CONTACT (ITEM 8) TO TINNED CENTRE CONDUCT, DO NOT OVER HEAT.



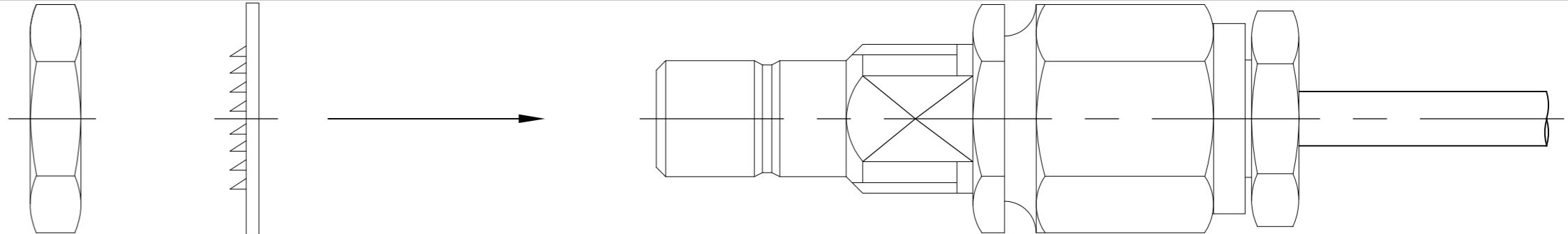
STEP 4

1. PRESS SUB-ASSEMBLY INTO BODY, UNTIL CONTACT FULLY LOCATED.
2. SCREW CLAMP NUT (ITEM 7) INTO BACK OF THE MAIN BODY (ITEM 3,4) USING CORRECT TOOLS TO AVOID DAMAGE.
3. TORQUE CLAMP NUT TO RECOMMENDED VALUE FROM PAGE ONE TO ENSURE BEST RESULTS.



STEP 5

1. PREPARE PANEL USING DINEMSIONS FROM PAGE 1 NOTE MAX PANEL THICKNESS THAT IS ALSO GIVEN.
2. USE LOCKWASHER (ITEM2) AND HEX NUT (ITEM1) TO SECURELY FASTEN ASSEMBLY INTO BULKHEAD.
3. USE CORRECT TOOLS TO AVOID DAMEGE TO CONNECTOR AND TORQUE TO VALUE GIVEN ON PAGE 1 TO ENSURE CORRECT RETENSION.



THIS DRAWING IS A CONTROLLED DOCUMENT.		DWN J.SANDWELL 10DEC06	Tyco Electronics Corporation Bideford, UK, EX39 4HE	
DIMENSIONS: mm		CHK S.PARLOW 10DEC06	NAME SMB BULKHEAD JACK REAR MOUNT SOLDER 50 OHM RG174A/U, 188A/U, 316/U, URM95, KX3B, KX22A	
TOLERANCES UNLESS OTHERWISE SPECIFIED:		APVD F.WHEELER-KING 10DEC06	PRODUCT SPEC -	
0 PLC ± -		APPLICATION SPEC 411-3259	SIZE A2	CAGE CODE 00779
1 PLC ± -		WEIGHT -	DRAWING NO C=1337476	RESTRICTED TO -
2 PLC ± -		MATERIAL SEE TABLE	SCALE NTS	SHEET 2 OF 2
3 PLC ± -		FINISH -	CUSTOMER DRAWING	REV D
4 PLC ± -				
ANGLES ± -				

1337476