

0.4	17.0	17.8	16.9	15.2	53309-40	19	40
0.8	16.2	17.0	16.1	14.4	-38	19	38
0.4	15.4	16.2	15.3	13.6	-36	19	36
0.8	14.6	15.4	14.5	12.8	-34	19	34
0.4	13.8	14.6	13.7	12.0	-32	19	32
0.8	13.0	13.8	12.9	11.2	-30	19	30
0.4	12.2	13.0	12.1	10.4	-28	19	28
0.8	11.4	12.2	11.3	9.6	-26	19	26
0.4	10.6	11.4	10.5	8.8	-24	19	24
0.8	9.8	10.6	9.7	8.0	-22	19	22
0.4	9.0	9.8	8.9	7.2	-20	19	20
0.8	8.2	9.0	8.1	6.4	-18	19	18
0.4	7.4	8.2	7.3	5.6	-16	19	16
0.8	6.6	7.4	6.5	4.8	-14	19	14
0.4	5.8	6.6	5.7	4.0	-12	19	12
0.8	5.0	5.8	4.9	3.2	53309-10	19	10

**注記 NOTES**

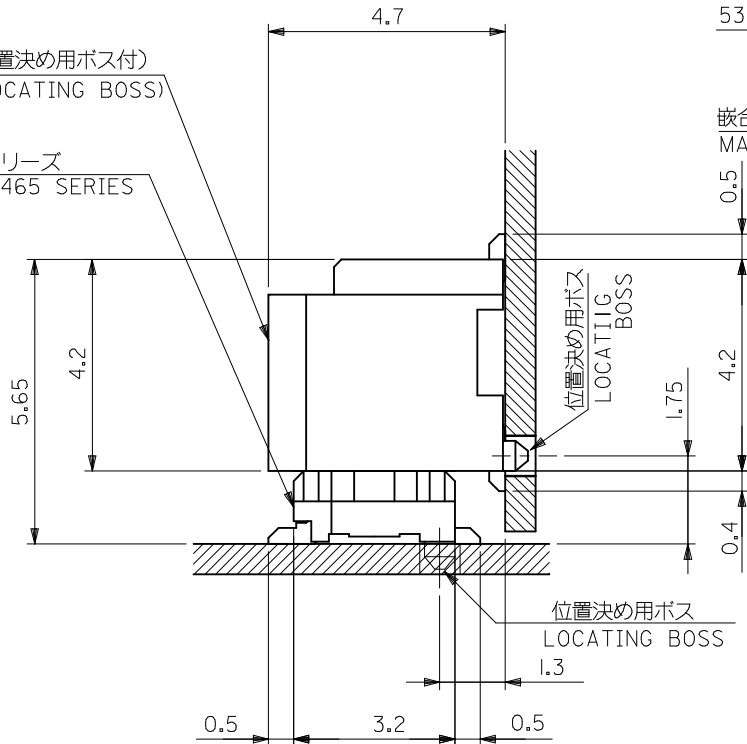
1. 嵌合相手 : 52465, 52588 シリーズ  
MATE WITH : 52465, 52588 SERIES
2. ウェハの  $\phi$  から隣接するピンの  $\phi$  迄の位置を示す。  
SHOW POSITION FROM  $\phi$  OF WAFER TO  $\phi$  OF ADJACENT PINS.
3. 本製品は 53309-\*\*17 の鉛フリー品である。  
THIS PRODUCT IS LEAD FREE OF 53309-\*\*17.

REVISED EC NO: J2014-0465 DRWN: YISHIDA 2013/09/12 CHKD: TASAKAWA 2013/09/12 APPR: TASAKAWA 2013/09/13	GENERAL TOLERANCES (UNLESS SPECIFIED)		DIMENSION STYLE MM ONLY		SCALE ---		DESIGN UNITS METRIC		0.8 B/B CONN SMT WITH BOSS -LEAD FREE- <b>molex</b> DOCUMENT NO. SD-53309-013 SHEET NO. 1 OF 2
	10 UNDER	±0.2	DRAWN BY	DATE	TITLE				
	10 OVER 30 UNDER	±0.25	CHECKED BY	DATE					
	30 OVER	±0.3	APPROVED BY	DATE					
DESCRIPTION	ANGULAR ±3 °	DRAFT WHERE APPLICABLE MUST REMAIN WITHIN DIMENSIONS		MATERIAL NO.	SEE DRAWING				
REV				SIZE	THIS DRAWING CONTAINS INFORMATION THAT IS PROPRIETARY TO MOLEX INCORPORATED AND SHOULD NOT BE USED WITHOUT WRITTEN PERMISSION				

10 9 8 7 6 5 4 3 2 1

53309-\*\*\*19 (位置決め用ボス付)  
(WITH LOCATING BOSS)

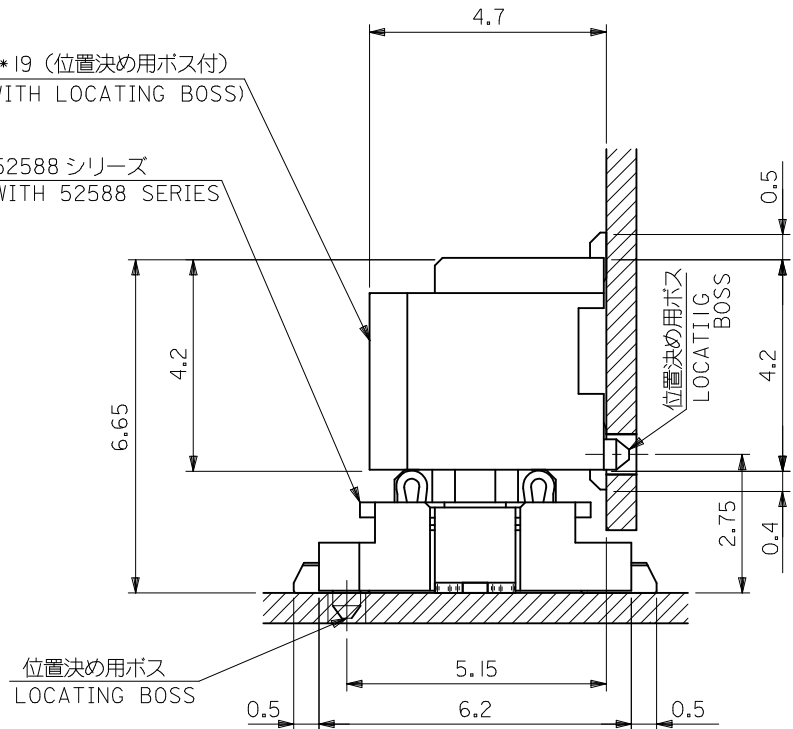
嵌合相手 52465 シリーズ  
MATES WITH 52465 SERIES



嵌合状態図 (参考)  
MATED DRAWING(REF.)

53309-\*\*\*19 (位置決め用ボス付)  
(WITH LOCATING BOSS)

嵌合相手 52588 シリーズ  
MATES WITH 52588 SERIES



嵌合状態図 (参考)  
MATED DRAWING(REF.)

MODEL NO. 53309-\*\*\*19

DESIGN UNITS METRIC THIRD ANGLE PROJECTION

REVISED EC NO: J2014-0465 DRWN: Y. SHIDA 2013/09/13 CHKD: T. SAKAWA 2013/09/13 APPR: T. SAKAWA 2013/09/13	GENERAL TOLERANCES (UNLESS SPECIFIED)	
	10 UNDER	±0.2
	10 OVER 30 UNDER	±0.25
	30 OVER	±0.3
	ANGULAR	±3°
	DRAFT WHERE APPLICABLE MUST REMAIN WITHIN DIMENSIONS	

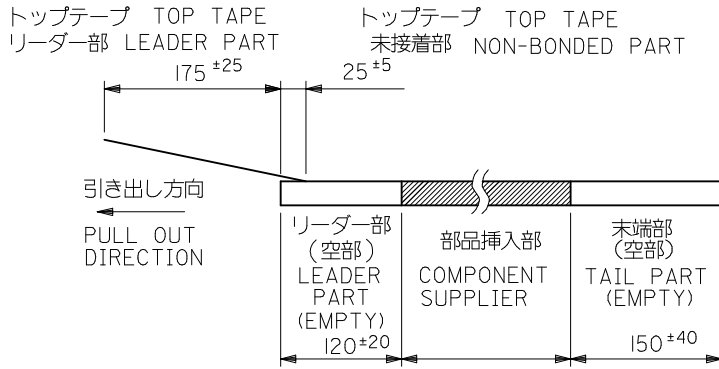
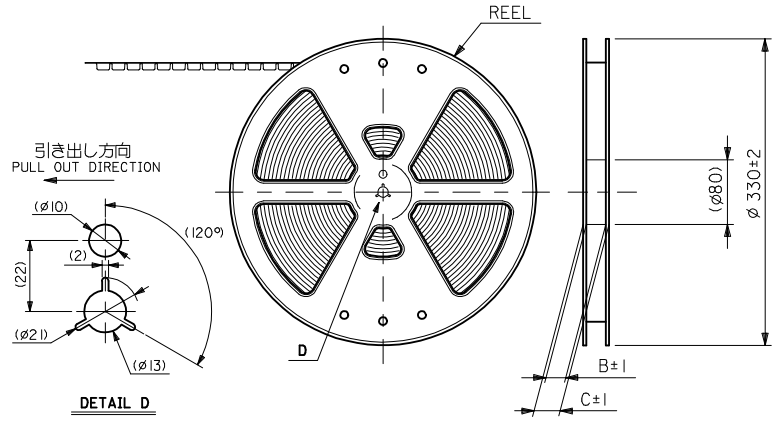
DIMENSION STYLE MM ONLY	
DRAWN BY	DATE
HKAWABATA	2004/03/10
CHECKED BY	DATE
KTOJO	2004/03/10
APPROVED BY	DATE
MSASAO	2004/03/10
MATERIAL NO. REFER TO SHEET 1 OF 2	
SIZE	A3

TITLE	
0.8 B/B CONN SMT WITH BOSS -LEAD FREE-	
<b>molex</b>	
DOCUMENT NO.	SHEET NO.
SD-53309-013	2 OF 2

9 8 7 6 5 4 3 2

注記 NOTES

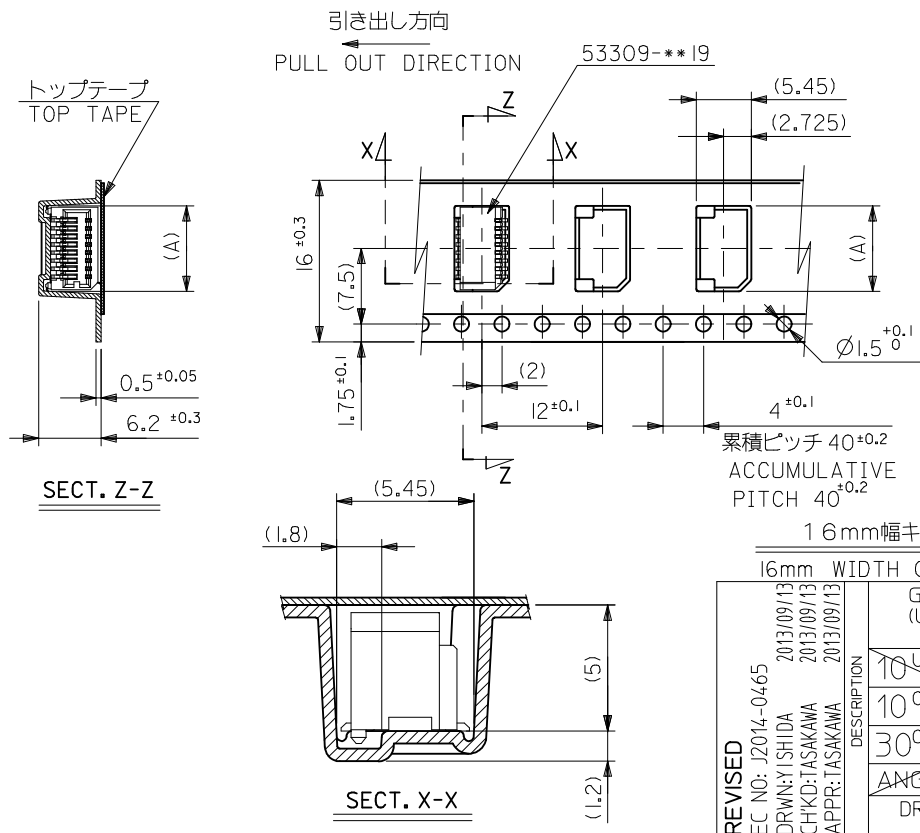
- 1. 梱包数量：1000個/リール NUMBER OF CONNECTORS:1000PCS/REEL
- 2. リードテープ長さ LEAD TAPE LENGTH



- 3. トップテープの剥離強度：(剥離方向は下図参照)  
 0.1~1.3N {10~130gf} 尚、本規格値は、出荷時に適用。  
 (但し、輸送時に剥離が発生しない事。)  
 PEELING OFF FORCE OF TOP TAPE  
 0.1~1.3N {10~130gf} (PEELING DIRECTION AS SHOWN IN FOLLOWING FIG.)  
 THIS REQUIREMENT SHOULD BE APPLIED AT SHIPMENT  
 PEEL OFF SHOULD NOT BE ALLOWED,  
 DURING TRANSPORTATION

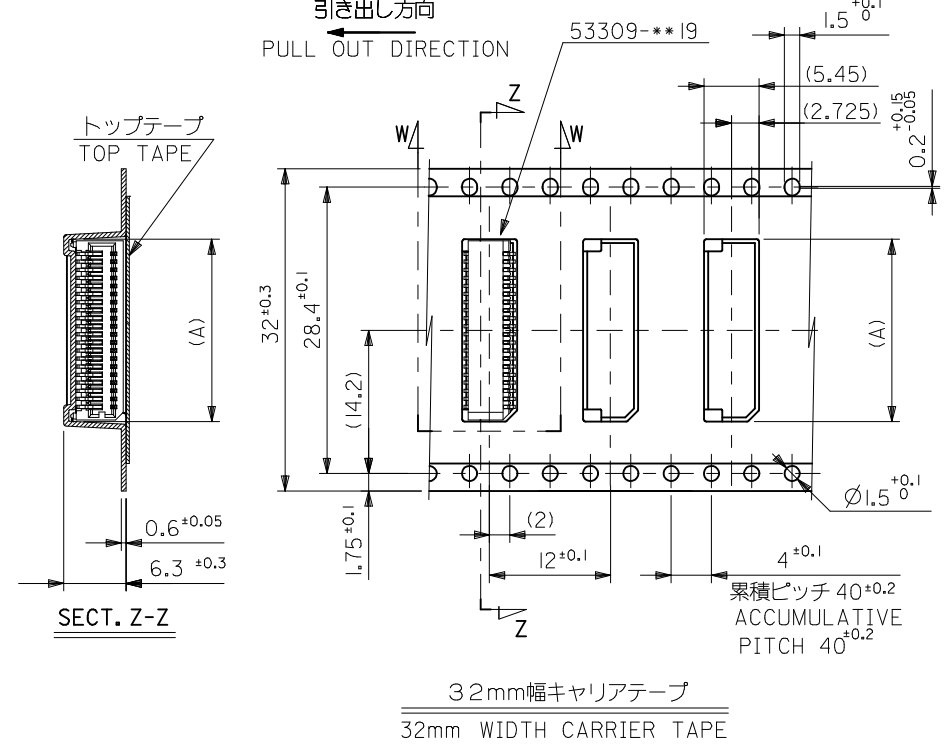
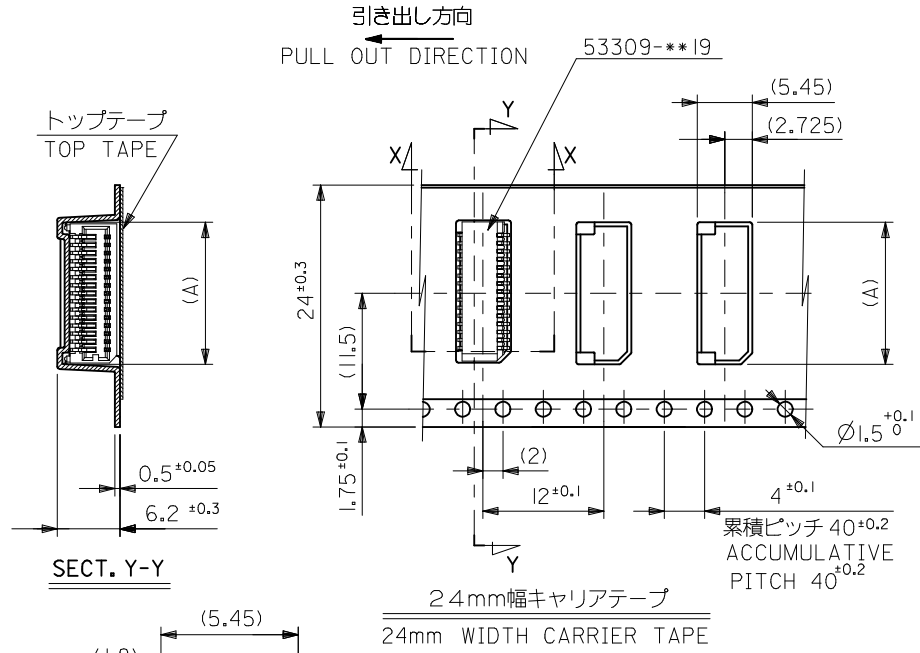


- 5. 材料(MATERIAL)  
 キャリアテープ(CARRIER TAPE)：ポリプロピレン(POLYPROPYLENE)  
 トップテープ(TOPTAPE)：PET, PE, PEF  
 リール(REEL)：ポリスチレン(PS) <リサイクル材を含む>  
 POLYSTYREN(PS) <RECYCLE MATERIAL CONTAINED>
- 6. 本製品は53309-\*\*-90の鉛フリー品である。  
 THIS PRODUCT IS LEAD FREE OF 53309-\*\*-90.



16	21.4	17.4	9.3	53309-1871	18		
			8.5	53309-1671	16		
			7.7	53309-1471	14		
			6.9	53309-1271	12		
			6.1	53309-1071	10		
16mm幅キャリアテープ CARRIER TAPE WIDTH		53309-**71 MODEL NO.	C	B	(A)	MATERIAL NO.	極数 CIRCUIT

REVISED EC NO: J2014-0465 2013/09/13 DRWN: YSHIDA CHKD: TASAKAWA APPR: TASAKAWA 2013/09/13	GENERAL TOLERANCES (UNLESS SPECIFIED)		DIMENSION STYLE MM ONLY		SCALE ---	DESIGN UNITS METRIC	THIRD ANGLE PROJECTION
	10 UNDER	±0.2	DRAWN BY HKAWABATA	DATE 2004/03/10	TITLE 0.8 BTB CONN WAFER ASSY EMBSTP PKG -LEAD FREE-		
	10 OVER 30 UNDER	±0.25	CHECKED BY KTOJO	DATE 2004/03/10			
	30 OVER	±0.3	APPROVED BY MSASAO	DATE 2004/03/10			
ANGULAR	±3°	MATERIAL NO. SEE NOTES		DOCUMENT NO. SD-53309-014	SHEET NO. 1 OF 2		
DRAFT WHERE APPLICABLE MUST REMAIN WITHIN DIMENSIONS		SIZE A3	THIS DRAWING CONTAINS INFORMATION THAT IS PROPRIETARY TO MOLEX INCORPORATED AND SHOULD NOT BE USED WITHOUT WRITTEN PERMISSION				



24	29.4	25.4	16.5	53309-3671	36
			15.7	53309-3471	34
			14.9	53309-3271	32
			14.1	53309-3071	30
			13.3	53309-2871	28
			12.5	53309-2671	26
			11.7	53309-2471	24
			10.9	53309-2271	22
			10.1	53309-2071	20
キャリアテープ幅 CARRIER TAPE WIDTH	C	B	(A)	MATERIAL NO.	極数 CIRCUIT

REVISED	DESCRIPTION
EC NO: J2014-0465	GENERAL TOLERANCES (UNLESS SPECIFIED)
DRWN: Y. SHIDA 2013/09/13	10 UNDER ±0.2
CHKD: TASAKAWA 2013/09/13	10 OVER 30 UNDER ±0.25
APPR: TASAKAWA 2013/09/13	30 OVER ±0.3
	ANGULAR ±3°
	DRAFT WHERE APPLICABLE MUST REMAIN WITHIN DIMENSIONS

32	37.4	33.4	18.1	53309-4071	40
			17.3	53309-3871	38
53309-**-71	キャリアテープ幅 CARRIER TAPE WIDTH	C	B	(A)	MATERIAL NO. 極数 CIRCUIT
MODEL NO.	DIMENSION STYLE	SCALE	DESIGN UNITS	THIRD ANGLE PROJECTION	
	MM ONLY	---	METRIC		
DRAWN BY	DATE	TITLE			
HKAWABATA	2004/03/10	0.8 BTB CONN WAFER ASSY			
CHECKED BY	DATE	EMBSTP PKG			
KTOJO	2004/03/10	-LEAD FREE-			
APPROVED BY	DATE	<b>molex</b>			
MSASAO	2004/03/10				
MATERIAL NO.	DOCUMENT NO.	SHEET NO.			
	REFER TO SHEET 1 OF 2	SD-53309-014			
SIZE	THIS DRAWING CONTAINS INFORMATION THAT IS PROPRIETARY TO MOLEX INCORPORATED AND SHOULD NOT BE USED WITHOUT WRITTEN PERMISSION				
A3					