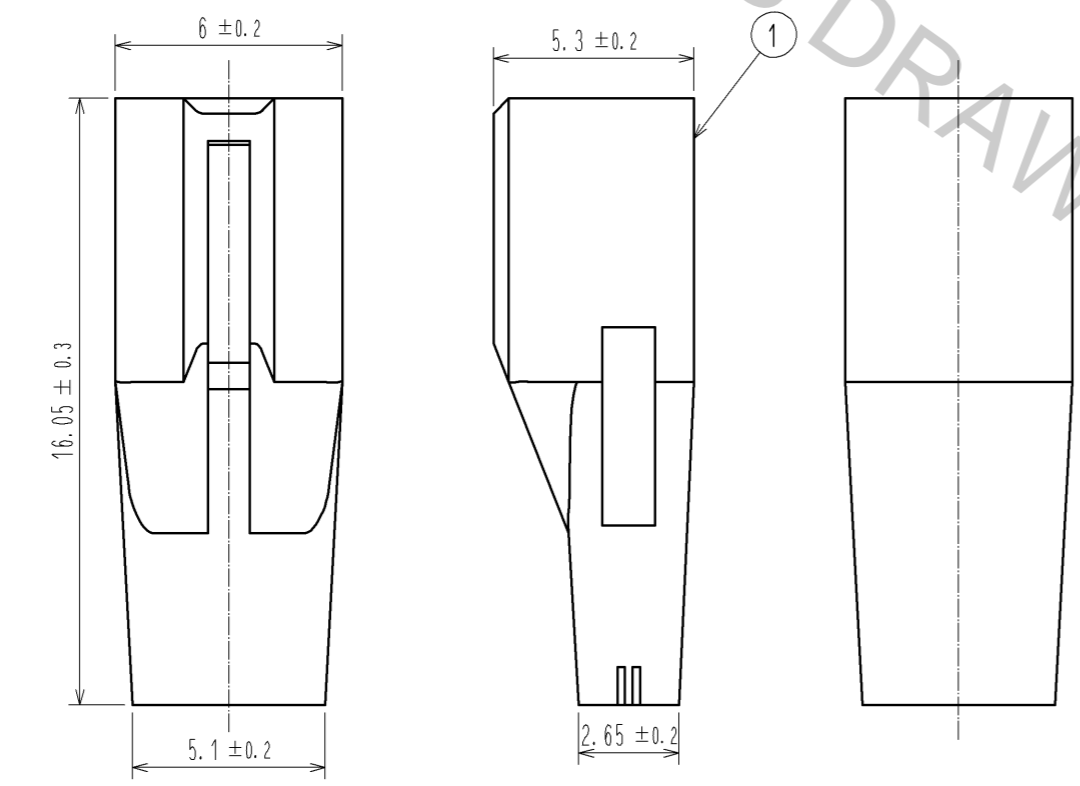
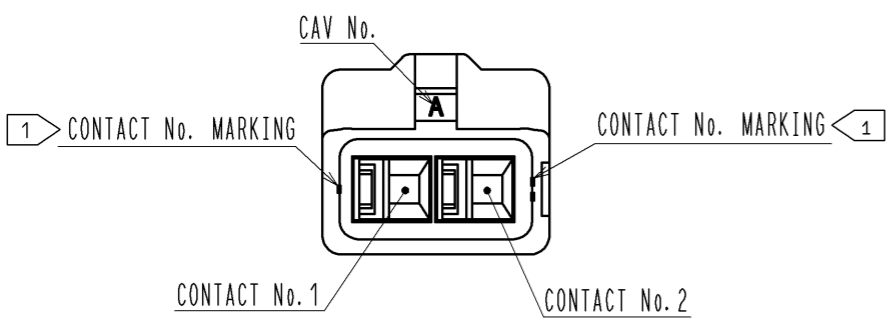
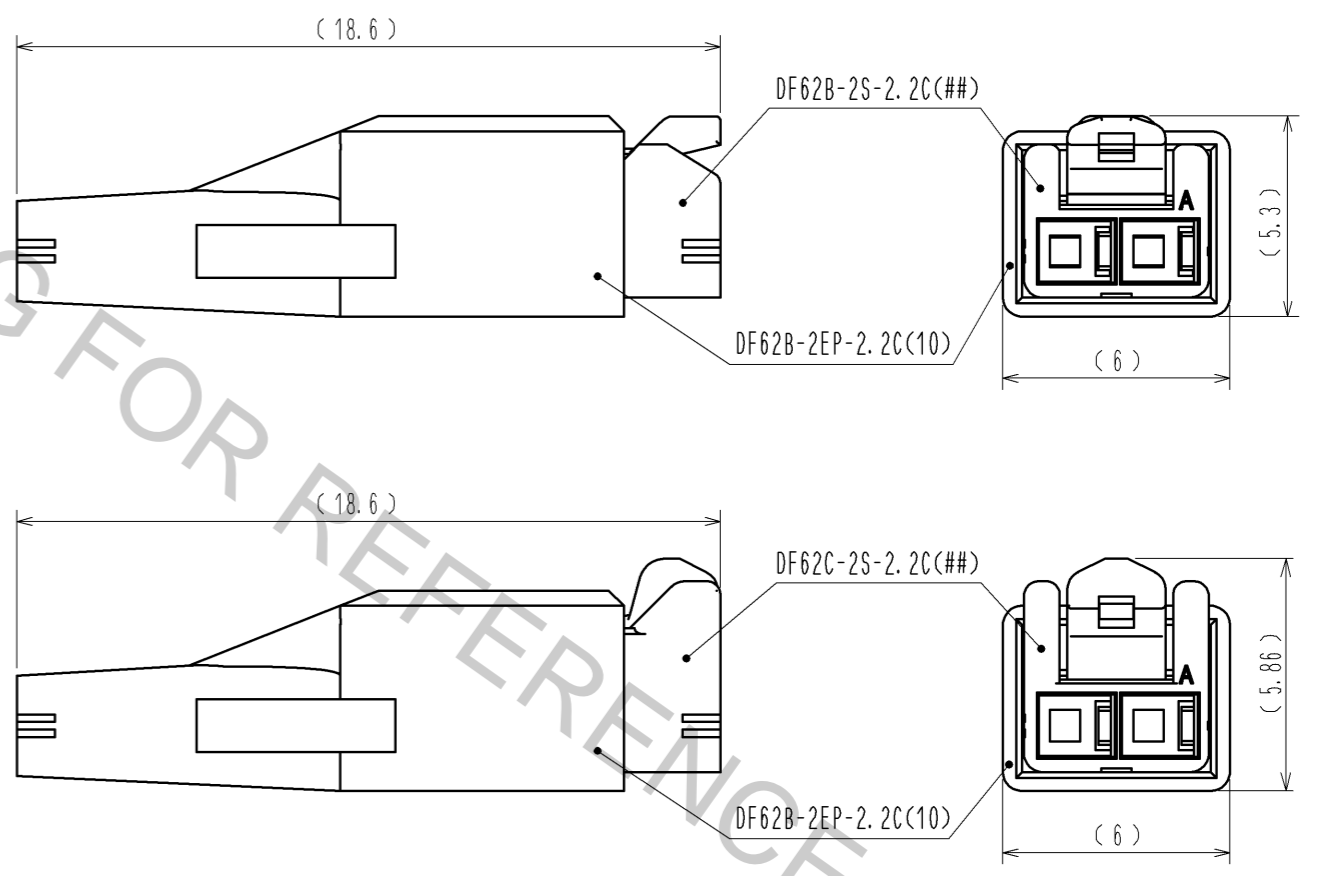


Apr.1.2017 Copyright 2017 HIROSE ELECTRIC CO., LTD. All Rights Reserved.

1 FIGURE-1 CONTACT No. MARKING (10:1)



MATING FIGURE



NOTE. 1 MARKINGS AT THE INDICATED POSITIONS ARE CONTACT NO. MARKING. AND SHAPES ARE SHOWN IN FIGURE-1.
 2. PER PACK : 100 PIECES.
 3. THE DIMENSIONS IN PARENTHESIS ARE FOR REFERENCE.

NO.		MATERIAL		FINISH . REMARKS		1	PBT	UL94V-0 (WHITE)
UNITS mm		SCALE 5 : 1		COUNT △		DESIGNED		CHECKED
HRS		HIROSE ELECTRIC CO., LTD.		APPROVED : KI. AKIYAMA		13. 09. 10		DRAWING NO. EDC3-351963-01
				CHECKED : OM. MIYAMOTO		13. 09. 10		PART NO. DF62B-2EP-2. 2C(10)
				DESIGNED : TH. YOSHIZAWA		13. 09. 09		CODE NO. CL544-0558-9-10
				DRAWN : MI. SAKIMURA		13. 09. 04		△ 1/1