

# LT3575

## Isolated Monolithic Flyback Converter

### DESCRIPTION

Demonstration circuit 1643A is an isolated flyback converter featuring LT<sup>®</sup>3575, a monolithic switching regulator specifically designed for the isolated flyback converter with an integrated 2.5A, 60V NPN transistor. The DC1643A is designed for 5V output from a 10V to 28V DC input.

The output current capability depends on the input voltage, proper cooling, and the switch voltage stress. The output current is up to 1.4A when the input is higher than 10V, and 2A when the input is higher than 20V but less than 28V. The output current should not be higher than 2.4A for safe operation.

The IC requires minimum load to maintain good output voltage regulation. A Zener diode D4 across the output clamps the voltage to ~5.4V. The light load regulation can be improved if a preload resistor (R4, optional) is installed. Depending on input voltage and output regulation, a 40mA minimum load is usually sufficient.

The DC1643A can be easily modified to generate different output voltages. Some pre-designed transformers from vendors such as Würth Electronics, Sumida, Pulse Engineering and Coilcraft, can be used for various applications.

The LT3575 operates with input supply voltages from 3V to 40V. The part senses the isolated output voltage directly from the primary side flyback waveform. No third winding or opto-coupler is required for regulation. The LT3575 utilizes boundary mode operation to provide a high efficiency, small size solution with improved load regulation. It can be used in industrial, automotive and medical applications where an isolated output is required.

The LT3575 data sheet gives a complete description of the part, operation and application information. The data sheet must be read in conjunction with this quick start guide for DC1643A.

**Design files for this circuit board are available at <http://www.linear.com/demo>**

LT, LT, LTC, LTM, Linear Technology and the Linear logo are registered trademarks of Linear Technology Corporation. All other trademarks are the property of their respective owners.

### PERFORMANCE SUMMARY (T<sub>A</sub> = 25°C)

PARAMETER	CONDITION	MIN	TYP	MAX	UNITS
Input Voltage		10		28	V
Output Voltage, V <sub>OUT</sub>	V <sub>IN</sub> = 10V to 28V, I <sub>OUT</sub> = 1.4A	4.75	5	5.25	V
Minimum Output Current	V <sub>IN</sub> = 20V		40		mA
Maximum Output Current	V <sub>IN</sub> = 10V to 20V			1.4	A
	V <sub>IN</sub> = 21V to 28V			2	A
Switching Frequency	V <sub>IN</sub> = 10V, I <sub>OUT</sub> = 1.4A		90		kHz
Efficiency	V <sub>IN</sub> = 28V, I <sub>OUT</sub> = 2A		86		%

## QUICK START PROCEDURE

DC1643A is easy to set up to evaluate the performance of the LT3575. Refer to Figure 1 for proper measurement equipment setup and follow the procedure below:

1. With power off, connect the input power supply to  $V_{IN}$  (E1) and GND (E2).
2. Connect the load to the terminals  $V_{OUT+}$  (E5) and  $V_{OUT-}$  (E6) on the board. Apply 100mA load to  $V_{OUT+}$  and  $V_{OUT-}$ .
3. Turn on the power at the input. Increase  $V_{IN}$  to 10V slowly.

**Note:** Make sure that the input voltage does not exceed 28V.

4. Check for the proper output voltages. The output should be regulated at 5V ( $\pm 5\%$ ).

**Note:** If there is no output, temporarily disconnect the power supply. Make sure that the load is connected with correct polarity. If the output voltage is out of spec, make sure minimum load current is applied to the output, the load is not set too high, and the input current does not hit the power supply current limit.

**Note:** The compensation loop is designed with trade-off between transient response and output ripple. To reduce the low frequency output ripple, slow down the loop by reducing R15 and increasing C11 (for instance, change R15 to 6.4k $\Omega$ , and C11 to 22nF). The switch-

ing frequency ripple can be reduced by increasing the output capacitor C4, or adding a second stage LC filter. Please contact factory for more information.

**Note:** The input EMI filter circuit (L1, FB1, C5, C19, and C20) can be added by cutting the copper plane along the notch next to C2 and C8 on the top layer of the demo circuit.

**Note:** For overload conditions, it is recommended to operate the board at a reduced input voltage range and/or reduce R8 of the RCD snubber. Please contact the factory for more information.

5. Once the proper output voltage is established, adjust the input and load within the operating range and observe the output voltage regulation, ripple voltage, efficiency and other parameters.

**Note:** When measuring the input or output voltage ripples, care must be taken to avoid a long ground lead on the oscilloscope probe. Measure the input or output voltage ripple by touching the probe tip directly across the  $V_{IN}$  and GND, or  $V_{OUT+}$  and  $V_{OUT-}$  terminals. See Figure 2 for proper scope probe technique. Typical efficiency and regulation curves are plotted in Figures 3 and 4, respectively.

6. Turn off the power supply. Disconnect the load from the demo circuit.

# QUICK START PROCEDURE

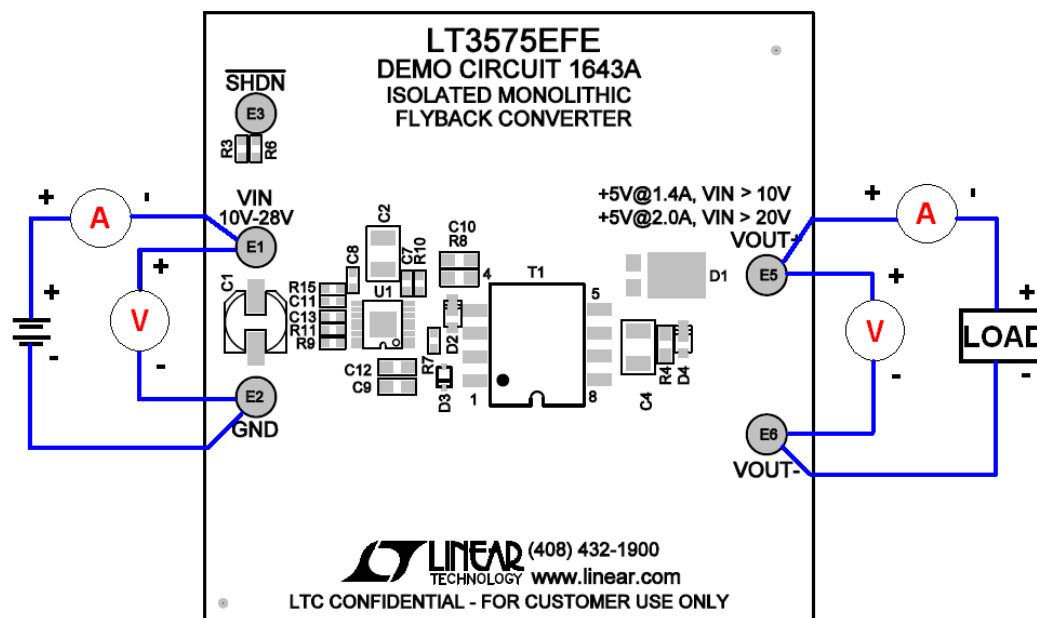


Figure 1. Proper Measurement Equipment Setup

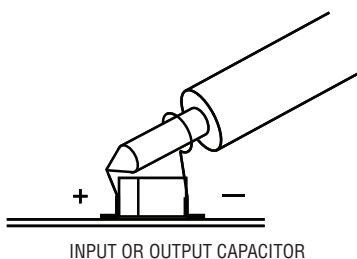


Figure 2. Proper Scope Probe Placement for Measuring Input or Output Ripple

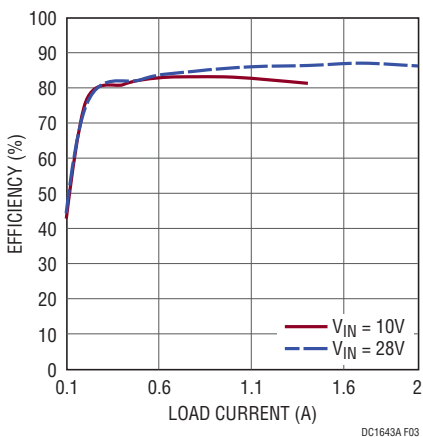


Figure 3. Typical Efficiency Curves

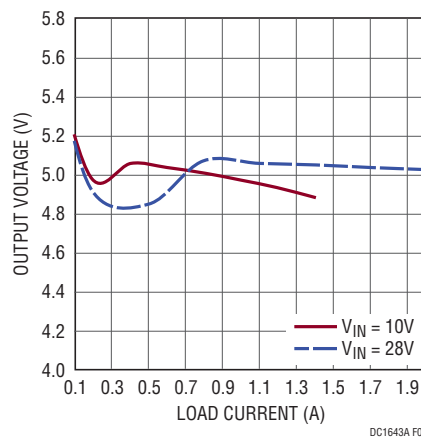


Figure 4. Typical Regulation Curves

# DEMO MANUAL DC1643A

## PARTS LIST

ITEM	QTY	REFERENCE	PART DESCRIPTION	MANUFACTURER/PART NUMBER
1	1	C1	Capacitor, 22 $\mu$ F 20% 50V Electrolytic	Sun Electronics 50CE22BS
2	1	C2	Capacitor, 1210 4.7 $\mu$ F 10% 50V X7R	Murata GRM32ER71H475KA88L
3	1	C4	Capacitor, 1210 47 $\mu$ F 10% 10V X7R	Murata GRM32ER71A476K
4	1	C7	Capacitor, 0603 0.1 $\mu$ F 10% 25V X5R	TDK C1608X5R1E104K
5	1	C8	Capacitor, 0603 100pF 5% 50V NPO	AVX 06035A101JAT2A
6	2	C9, C12	Capacitor, 0805 1 $\mu$ F 10% 50V X7R	Murata GRM21BR71H105KA12L
7	1	C10	Capacitor, 0805 0.22 $\mu$ F 10% 50V X7R	Taiyo Yuden UMK212B7224KG-T
8	1	C11	Capacitor, 0603 2200pF 10% 50V X7R	AVX 06035C222KAT2A
9	1	C13	Capacitor, 0603 10pF 5% 50V NPO	AVX 06035A100JAT2A
10	1	D1	Diode, Schottky, Barrier Rectifier 8A	Micro Semiconductor UPS840
11	1	D2	Diode, Schottky	Diode Inc. DFSL1100-7
12	1	D3	Diode, Schottky SOD323	Central Semiconductor CMDSH-3
13	1	D4	Diode, Power Zener 1.0W	Diodes/Zetex DFLZ5V6-7
14	1	R3	Resistor, 0603 357k $\Omega$ 1% 1/10W	NIC NRC06F3573TRF
15	1	R6	Resistor, 0603 93.1k $\Omega$ 1% 1/10W	Vishay CRCW060393K1FKED
16	1	R7	Resistor, 0603 80.6k $\Omega$ 1% 1/10W	Vishay, CRCW060380K6FKEA
17	1	R8	Resistor, 0805 2k $\Omega$ 1% 1/8W	Vishay CRCW08052K00FKEA
18	1	R9	Resistor, 0603 28.7k $\Omega$ 1% 1/10W	NIC NRC06F2872TRF
19	1	R10	Resistor, 0603 10k $\Omega$ 1% 1/10W	Vishay CRCW060310K0FKED
20	1	R11	Resistor, 0603 6.04k $\Omega$ 1% 1/10W	NIC NRC06F6041TRF
21	1	R15	Resistor, 0603 24.9k $\Omega$ 1% 1/10W	NIC NRC06F2492TRF
22	1	T1	Transformer	Würth 750311675
23	1	U1	IC, Monolithic Flyback Converter	Linear Technology LT3575EFE

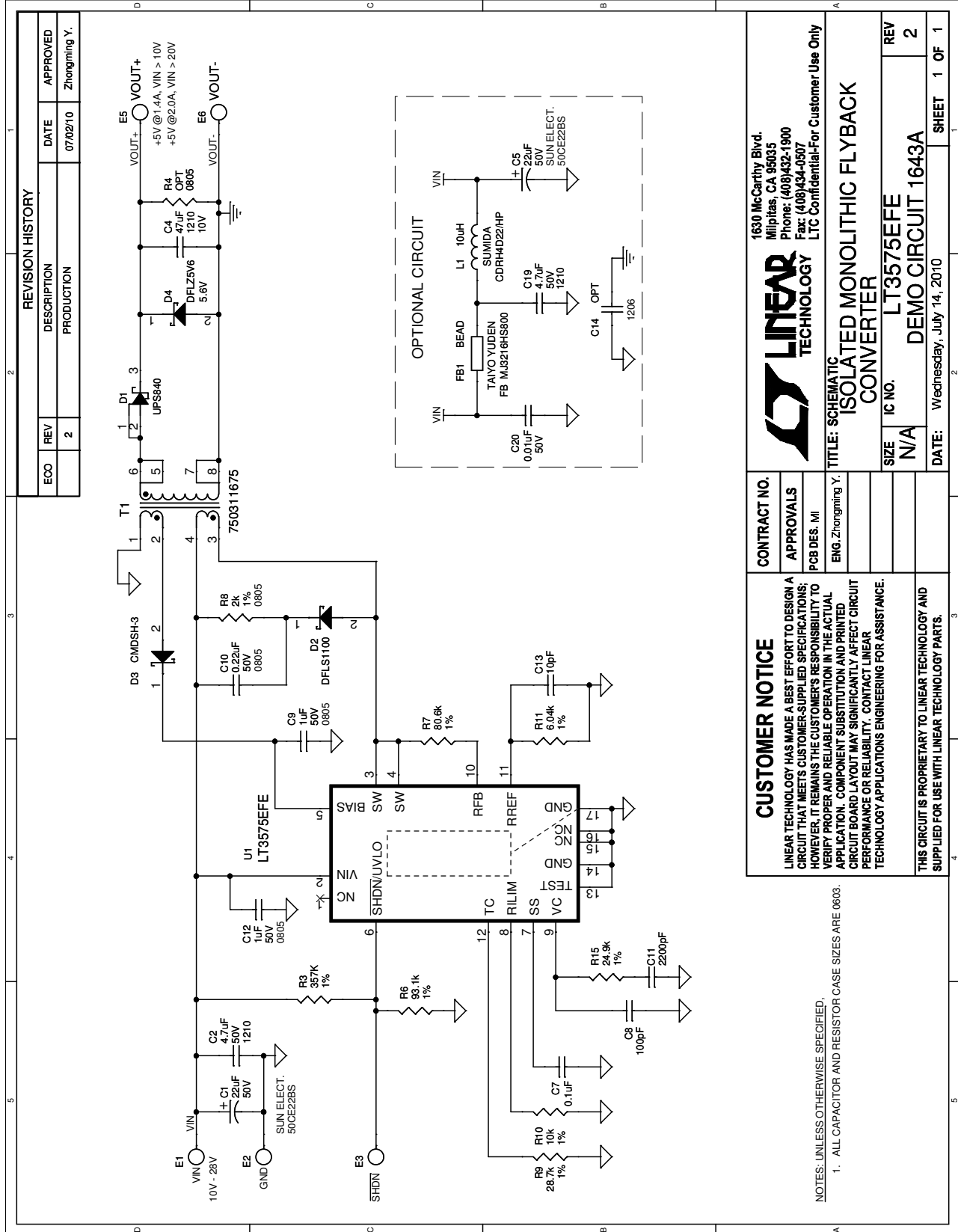
### Hardware – For Demo Board Only

1	5	E1, E2, E3, E5, E6	Turret	Mill-Max 2501-2-00-80-00-00-07-0
2	1		Fab, Printed Circuit Board	DC1643A
3	1		Stencil	Stencil

### Additional Demo Board Circuit Components

1	0	C5	Capacitor, 22 $\mu$ F 20% 50V Electrolytic Optional	Sun Electronics 50CE22BS Optional
2	0	C14	Capacitor, 1206 0.033 $\mu$ F Optional	Optional
3	0	C19	Capacitor, 1210 4.7 $\mu$ F 10% 50V X7R Optional	Murata GRM32ER71H475K Option
4	0	C20	Capacitor, 0603 0.01 $\mu$ F 10% 50V X7R Optional	NIC NMC0603X7R104K50TRPF Optional
5	0	FB1	Ferrite Bead Optional	Taiyo Yuden FB MJ3216HS800 Optional
6	0	L1	Inductor, 10 $\mu$ H Optional	Sumida CDRH4D22/HP Optional
7	0	Q1	XSTR, MOSFET, N-Channel 30V Optional	Vishay Si3456DDV Optional
8	0	R4	Resistor, 0805 440 $\Omega$ 1% 1/8W Optional	NIC NRC10F4400TRF

SCHEMATIC DIAGRAM



# DEMO MANUAL DC1643A

---

## DEMONSTRATION BOARD IMPORTANT NOTICE

Linear Technology Corporation (LTC) provides the enclosed product(s) under the following **AS IS** conditions:

This demonstration board (DEMO BOARD) kit being sold or provided by Linear Technology is intended for use for **ENGINEERING DEVELOPMENT OR EVALUATION PURPOSES ONLY** and is not provided by LTC for commercial use. As such, the DEMO BOARD herein may not be complete in terms of required design-, marketing-, and/or manufacturing-related protective considerations, including but not limited to product safety measures typically found in finished commercial goods. As a prototype, this product does not fall within the scope of the European Union directive on electromagnetic compatibility and therefore may or may not meet the technical requirements of the directive, or other regulations.

If this evaluation kit does not meet the specifications recited in the DEMO BOARD manual the kit may be returned within 30 days from the date of delivery for a full refund. **THE FOREGOING WARRANTY IS THE EXCLUSIVE WARRANTY MADE BY THE SELLER TO BUYER AND IS IN LIEU OF ALL OTHER WARRANTIES, EXPRESSED, IMPLIED, OR STATUTORY, INCLUDING ANY WARRANTY OF MERCHANTABILITY OR FITNESS FOR ANY PARTICULAR PURPOSE. EXCEPT TO THE EXTENT OF THIS INDEMNITY, NEITHER PARTY SHALL BE LIABLE TO THE OTHER FOR ANY INDIRECT, SPECIAL, INCIDENTAL, OR CONSEQUENTIAL DAMAGES.**

The user assumes all responsibility and liability for proper and safe handling of the goods. Further, the user releases LTC from all claims arising from the handling or use of the goods. Due to the open construction of the product, it is the user's responsibility to take any and all appropriate precautions with regard to electrostatic discharge. Also be aware that the products herein may not be regulatory compliant or agency certified (FCC, UL, CE, etc.).

No License is granted under any patent right or other intellectual property whatsoever. **LTC assumes no liability for applications assistance, customer product design, software performance, or infringement of patents or any other intellectual property rights of any kind.**

LTC currently services a variety of customers for products around the world, and therefore this transaction **is not exclusive**.

**Please read the DEMO BOARD manual prior to handling the product.** Persons handling this product must have electronics training and observe good laboratory practice standards. **Common sense is encouraged.**

This notice contains important safety information about temperatures and voltages. For further safety concerns, please contact a LTC application engineer.

Mailing Address:

Linear Technology  
1630 McCarthy Blvd.  
Milpitas, CA 95035

Copyright © 2004, Linear Technology Corporation