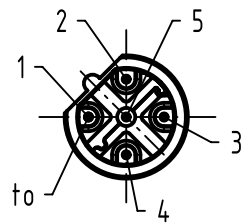


A (2:1)



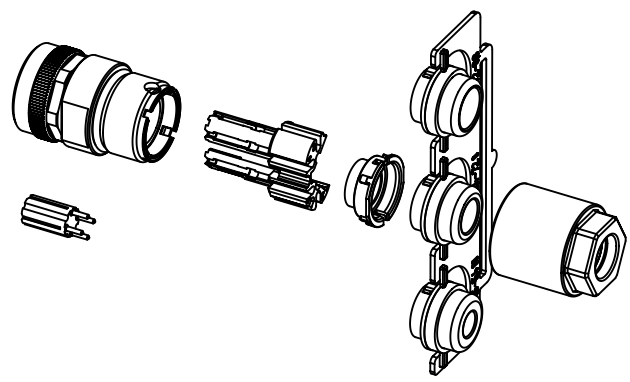
contact face acc. to IEC 61076-2-101

assembly aid enclosed

order contacts separately

4,5-8,8mm	AWG 24-20	09 67 000 8476
	AWG 26-22	09 67 000 5476
	AWG 22-18	09 67 000 3476
cable Ø	wire gauge	part-no.

shielding resistance $\leq 1,5 \text{ Ohm}$
 material metal parts: stainless steel
 (EN 10088-3/ 1.4404/ X2CrNiMo17-12-2)



	All Dimensions in mm Original Size DIN A4		Scale 1:1	Free size tol.		Ref. Sub. TB 21038412535 / 500000095466 / 2015-11-02		
	All rights reserved Department EC PD - DE		Created by HELLMANN	Inspected by EISFELD	Standardisation HOFFMANN	Date 2016-10-18	State Final Release	
HARTING Electronics GmbH D-32339 Espelkamp			Title HARTING M12-L female crimp B-coded 5-pole				Doc-Key / ECM-Nr. 100569737/UGD/005/D 500000109655	
			Type TB	Number 21038412535			Rev. D	Page 1/1