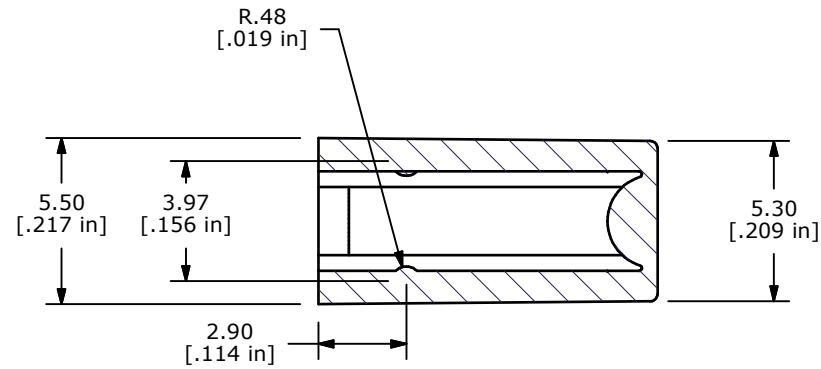
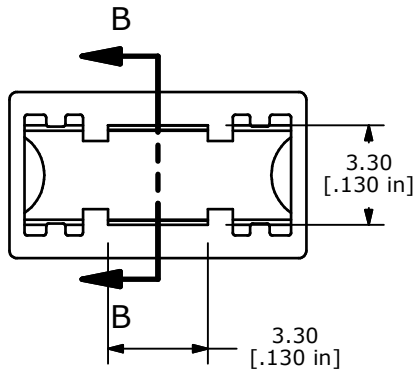
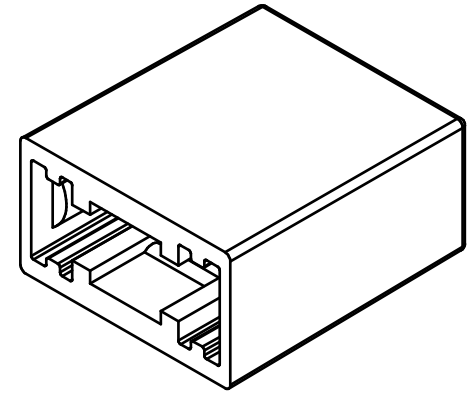
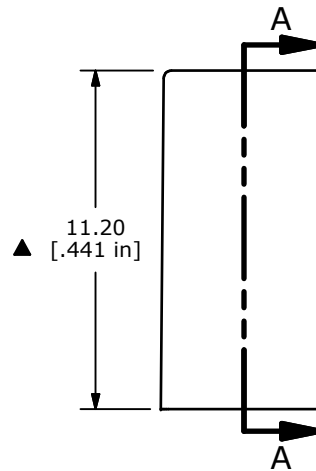


SECTION A-A
SCALE 4 : 1



SECTION B-B
SCALE 4 : 1

NOTE:

1. ALL DIMENSIONS IN MM[INCH]
2. GENERAL TOLERANCE: X.XX=± 0.15
- ▲3. MATERIAL: ABS UL94HB
- ▲4. COLOR: WHITE
5. ▲ DENOTES CRITICAL PARAMETER
6. 2002/95/EC (ROHS) COMPLIANT



REV	PCR NO	DESCRIPTION	DATE	BY
B	17591	CHANGED DIM. 2.85 TO 2.90	8/27/07	BF
A	15172	NEW RELEASE	8/18/05	PV

E-SWITCH™				
TITLE TACWHT				
SCALE	DATE	DR	DWG	REV
4:1	8/27/2007	BF	T041622	B

THE INFORMATION CONTAINED IN THIS DOCUMENT IS PROPRIETARY TO E-SWITCH AND IS NOT TO BE COPIED OR TRANSFERRED