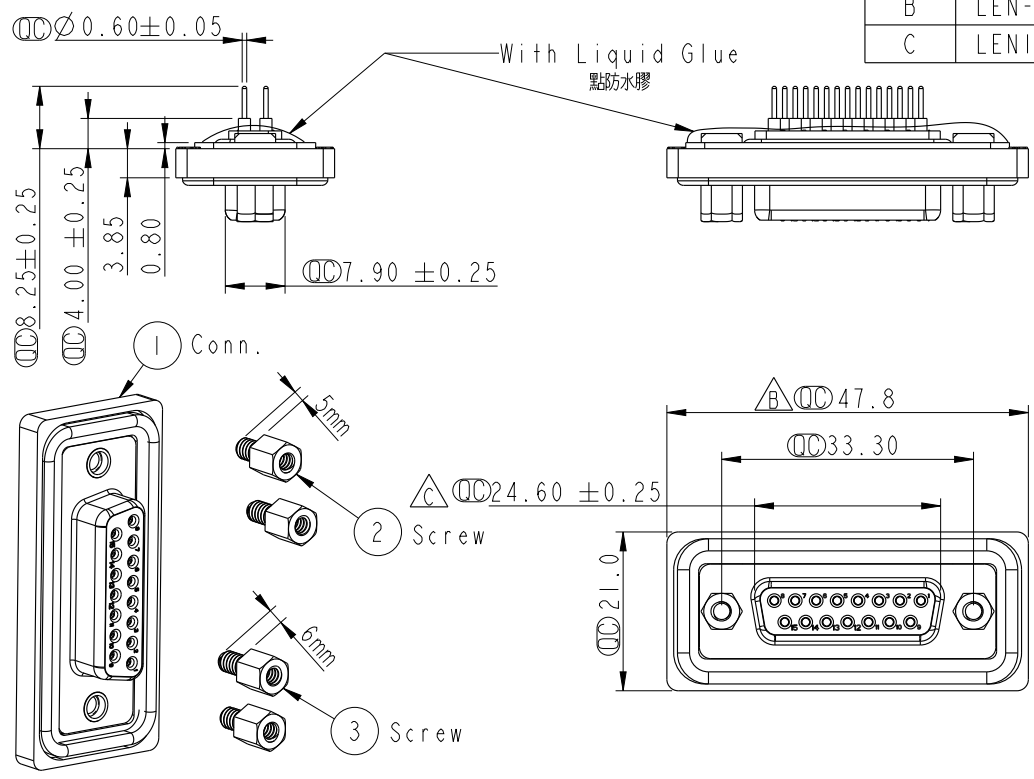


REV.	ECN NO.	DATE	SIGN	DESCRIPTION
B	LEN-850010	2008/05/05	Allan	Modify Tolerance
C	LEN1390091	2013/06/13	Tony_leng	Change 24.66 To 24.60



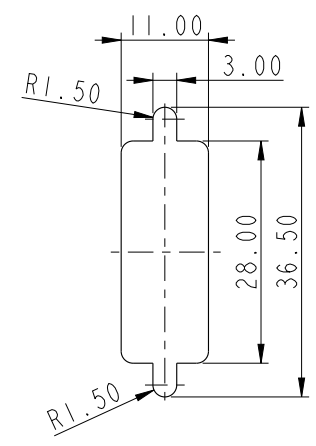
**ALTW**  
**CONFIDENTIAL**  
**2013-06-13**  
**R&D DEPT.**

**ALTW**  
**DCC. DEPT.**  
**CONFIDENTIAL**  
**2013.09.05**  
**ISSUED**

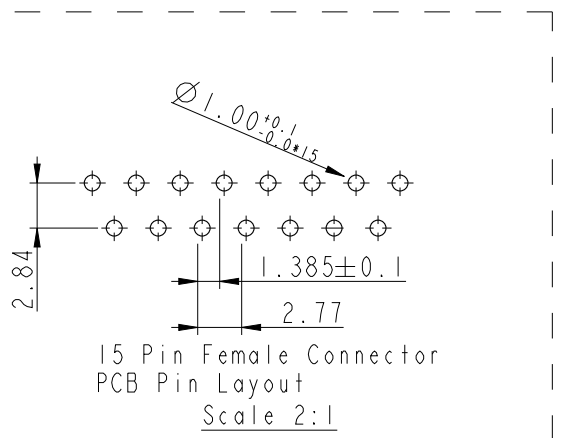


Screw L=5.0 For Panel Thickness Under 1.2mm  
 適用板厚為1.2mm以下

Screw L=6.0 For Panel Thickness Between 1.2~2.0mm  
 適用板厚為1.2~2.0mm



Recommended Panel Cut-Out  
 建議挖孔尺寸



- Note:
- \*  $\varnothing$  Important Dimension.
  - \* Waterproof Rate : IP68  
 IP68: 1M of depth of water 24 hours  
 (防水等級: IP68)  
 (IP68: 1米水深24小時)
  - \* Do Mating Test After Glued  
 點膠後, 須作對插測試
  - \* D-SUB Conn. : Black Core, PBT
  - \* Plastic Jacket : Black, Nylon+GF
  - \* Pin : Copper Alloy, Gold Plated
  - \* Ring : Light Blue, Silicone
  - \* Screw : Copper Alloy, Nickel Plated, #4-40 UNC

UNIT: mm		TITLE D-SUB Conn. Panel Screw DB15P F Conn. F Pin			<b>Amphenol LTW</b> <b>安費諾亮泰企業股份有限公司</b>	ITEM NO SDB-15PFFP-SL8001	DRAWN BY Tony_leng	DATE 2013-06-13
		TOLERANCE .X ±0.25 .XX ±0.1 .XXX ±0.05 ANGLES ±1°	SCALE 1:1	SIZE A4		SHEET 1 OF 1	DWG NO SDB-15PFFP-SL8001	CHECKED BY Yulong
		REV. C	WC-REV. A.4	$\varnothing$ : Inspection item	CUSTOMER ALTW	APPROVED BY Victor	DATE 2013-06-13	

THIS DOCUMENT IS SUBJECT TO CHANGE WITHOUT NOTICE. IT IS CONFIDENTIAL AND A PROPERTY OF Amphenol LTW. DISCLOSURE TO THIRD PARTY HAS TO BE AUTHORIZED BY Amphenol LTW.