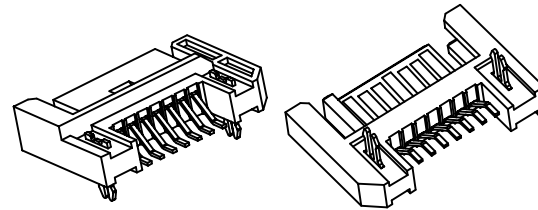
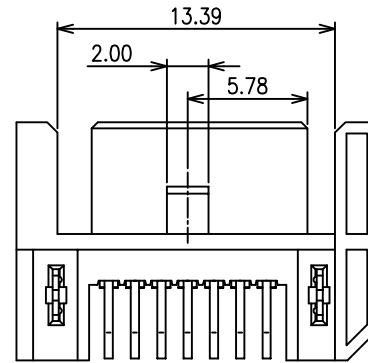
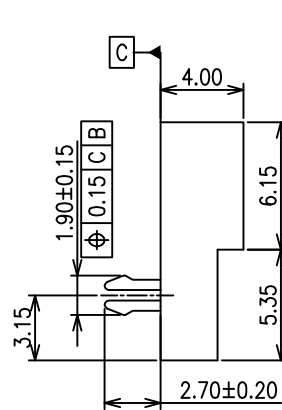
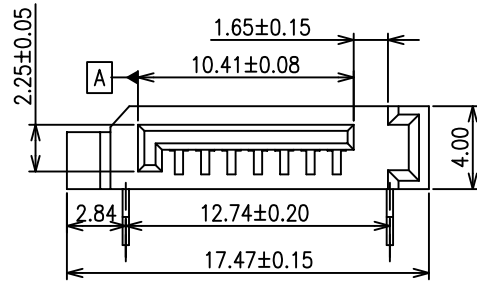


3M™ Serial Advanced Technology Attachment (SATA) Connector
Signal Plug, Boardmount, Surface Mount Right Angle and PTH Vertical

REVISION RECORD		
REV.	ECR/ECN/ECO NUMBER	DATE
A	AT2059, NEW RELEASE	23/04/07
B	TECH SHEET, ECO-14693	12/07/07
C	EDIT TECH SHEET, ECO-17296	13/02/08
D	EDIT TECH SHEET, ECO-33864	01/08/11
E	SALES DRAWING, ECO-41953	01/02/13
F	EDIT PIN # ON PCB LAYOUT ECO-58311	18/11/14

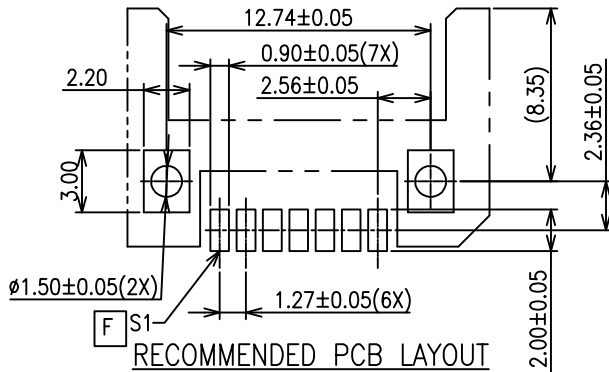
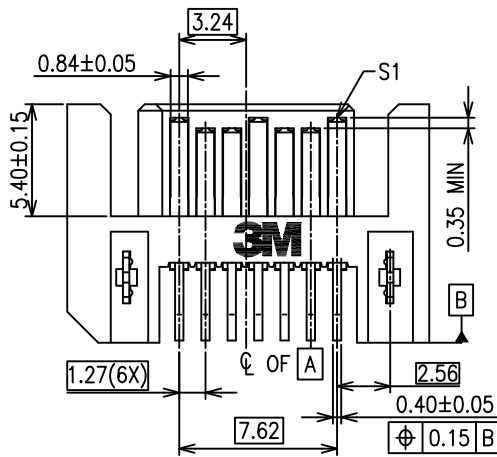


RIGHT ANGLE SURFACE MOUNT



NOTES:

- RoHS COMPLIANT. SEE REGULATORY INFORMATION APPENDIX IN "RoHS COMPLIANCE" SECTION AT WWW.3M.COM/INTERCONNECT (E1 & C1 APPLY)
- MEETS SATA SPECIFICATION
- PHYSICAL:
HOUSING: HIGH TEMPERATURE THERMOPLASTIC, BLACK, UL94V-0
CONTACT: COPPER ALLOY
Plating: SH: GOLD FLASH AT MATING AREA
50u" MIN. Ni UNDERPLATE
100u" MIN. Sn AT TERMINATION AREA
- ELECTRICAL:
CURRENT RATING: POWER PIN: 1.5A
INSULATION RESISTANCE: 10³ MΩ min.
WITHSTANDING VOLTAGE: 500V_{ac} AT SEA LEVEL
- ENVIRONMENTAL:
OPERATING TEMPERATURE RANGE: -40°C TO +85°C
- UL FILE NO. E68080
- ORDERING INFORMATION:
5607-4200-SH (RIGHT ANGLE SURFACE MOUNT)
5607-5102-SH (VERTICAL THROUGH HOLE)

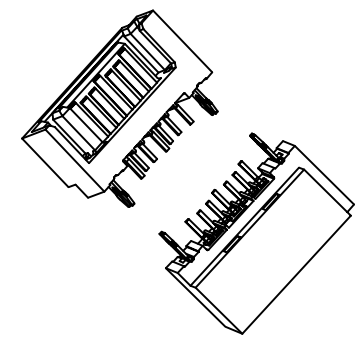
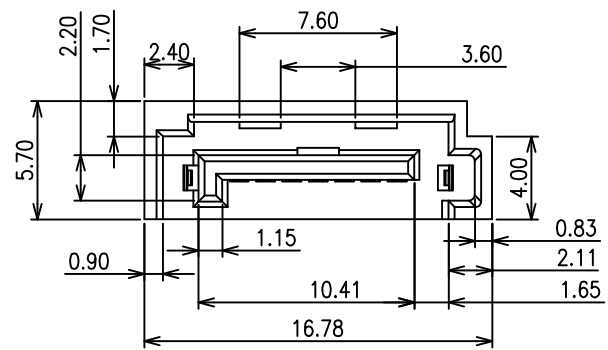


Visit <http://www.3Mconnectors.com>

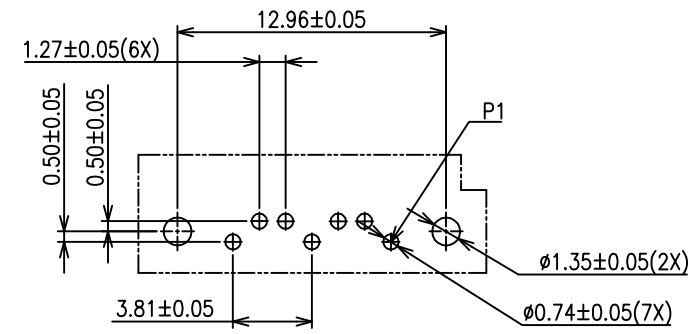
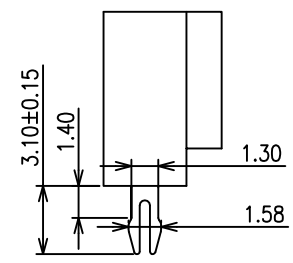
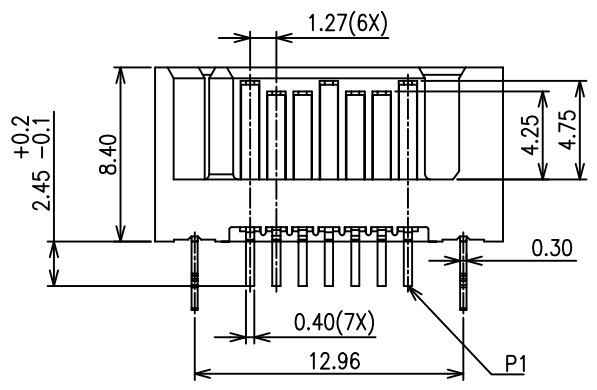
UNIT: MM	DFTG RAO VITAPALLI	DATE 22/08/14		DIVISION ESD	STATUS RELEASED
GEN. TOLERANCES	CHKD QIAO YUN LONG	DATE 22/08/14		MODEL	
LINEAR .0 ±0.38 .00 ±0.25 .000 ±0.05	APPVL SAUJIT BANDHU	DATE 22/08/14	TITLE	Serial Advanced Technology Attachment (SATA) Connector Signal Plug, Boardmount, Surface Mount Right Angle and PTH Vertical	
ANGLE = ±3°	THIS DOCUMENT CONTAINS INFORMATION WHICH IS PROPRIETARY TO 3M COMPANY. NO REPRODUCTION OR PUBLICATION OF THIS DOCUMENT, IN WHOLE OR IN PART, SHALL BE MADE WITHOUT AUTHORIZATION FROM 3M. ©3M 2014. ALL RIGHTS RESERVED.		SIZE A3	DRAWING NO. 78-5100-2108-8	REV F
PROJECTION	INTERPRET PER ASME Y14.5M-1994	CRITICAL DIMENSION: ▲	SCALE : 4:1	DET LIST	YES NO SHT 1 of 2

3M™ Serial Advanced Technology Attachment (SATA) Connector
Signal Plug, Boardmount, Surface Mount Right Angle and PTH Vertical

REVISION RECORD		
REV.	ECR/ECN/ECO NUMBER	DATE
REFER TO SHT 1 of 2		



VERTICAL THROUGH-HOLE



RECOMMENDED PCB LAYOUT

Visit <http://www.3Mconnectors.com>

UNIT: MM	DFTG RAO VITTAPALLI	DATE 22/08/14		DIVISION ESD	STATUS RELEASED
GEN. TOLERANCES	CHKD YUN LONG QIAO	DATE 22/08/14		MODEL	
LINEAR .0 =±0.38 .00 =±0.25 .000=±0.05	APPVL SAUJIT BANDHU	DATE 22/08/14	TITLE Serial Advanced Technology Attachment (SATA) Connector Signal Plug, Boardmount, Surface Mount Right Angle and PTH Vertical	SIZE A3	
ANGLE= ±3°	THIS DOCUMENT CONTAINS INFORMATION WHICH IS PROPRIETARY TO 3M COMPANY. NO REPRODUCTION OR PUBLICATION OF THIS DOCUMENT, IN WHOLE OR IN PART, SHALL BE MADE WITHOUT AUTHORIZATION FROM 3M. ©3M 2014. ALL RIGHTS RESERVED.		DRAWING NO. 78-5100-2108-8		REV F
PROJECTION	INTERPRET PER ASME Y14.5M-1994		SCALE : NTS		DET LIST <input type="checkbox"/> YES <input type="checkbox"/> NO
	CRITICAL DIMENSION: ▲		SHT 2 of 2		