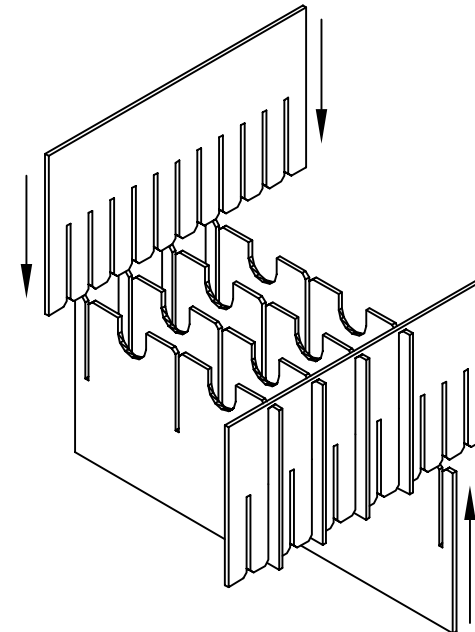
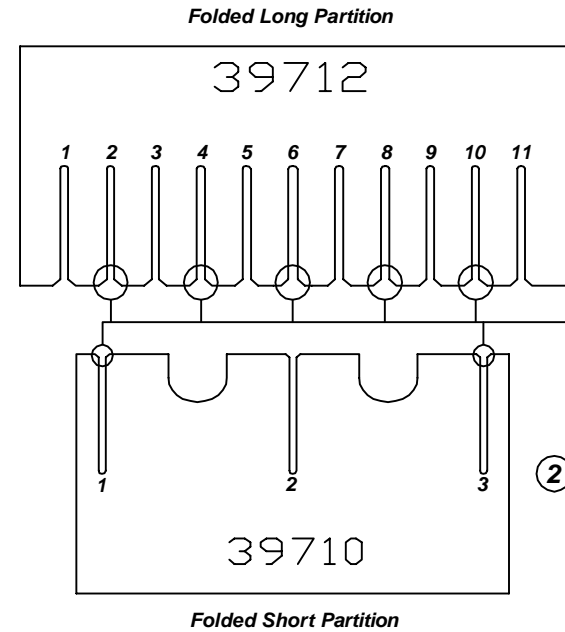
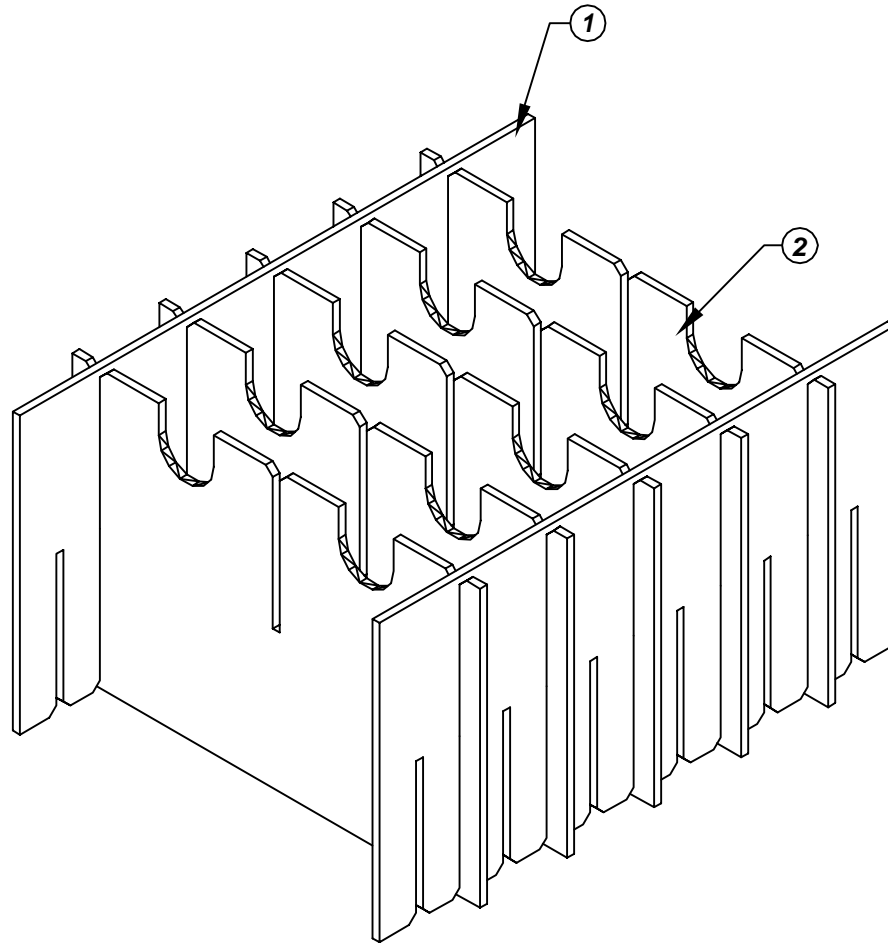


# Assembly Instructions for - 37330



Made in America

F/N ①	Part # 39712	Dimensions: 20-1/4" x 18-5/8"	Description: 460-HLP-12 Long Partition	Qty: 2
F/N ②	Part # 39710	Dimensions: 20-1/4" x 14-3/4"	Description: 460/462/464 - HSP Short Partition	Qty: 5

## 37330 - 6 Cell Inplant Handler Cell Size - 10" x 12-3/4" x 2-7/8"

Notes:  
For use with the following storage container & lid:  
37524 - Storage Container  
37554 - Lid

PROTEKTIVE PAK  
13520 MONTE VISTA AVENUE, CHINO, CA 91710  
PHONE (909) 627-2578, FAX (909) 363-7331  
ProtektivePak.com



DRAWING NUMBER  
**IPH-37330**

DATE  
Nov.  
2007