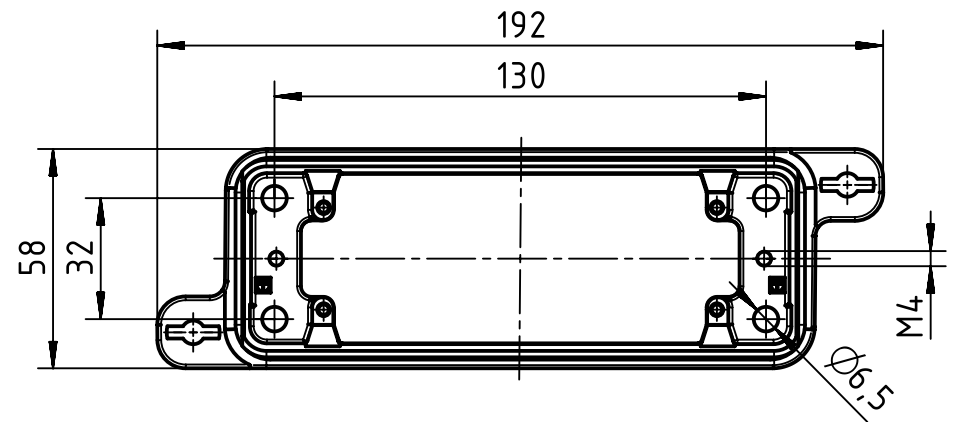
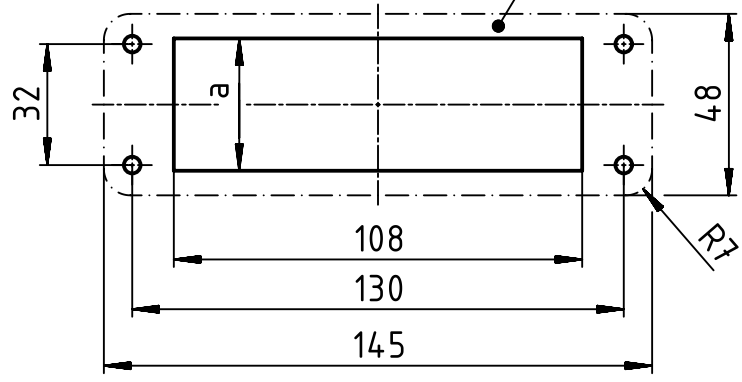
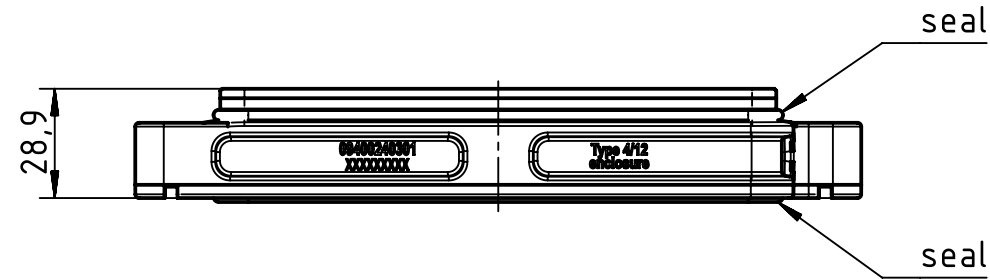
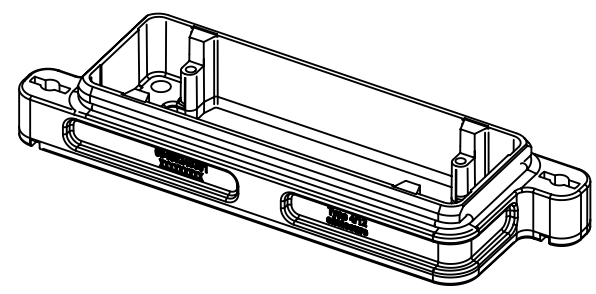


panel cut out
for EMC features,
conductive surface



application	a
standard insert	35
HC-Modular 650	44,5



	All Dimensions in mm Original Size DIN A4		Scale 1:2	Free size tol.		Ref.	
	All rights reserved Department EL PD - DE		Created by FINKEV	Inspected by GERB	Standardisation TIEMANNA	Date 2015-11-13	State Final Release
HARTING Electric GmbH & Co. KG D-32339 Espelkamp		Title Han 24HPR-agg-KV				Doc-Key / ECM-Nr. 100217695/UGD/004/B 500000093625	
		Type TB	Number 09 40 024 0301			Rev. B	Page 1/1