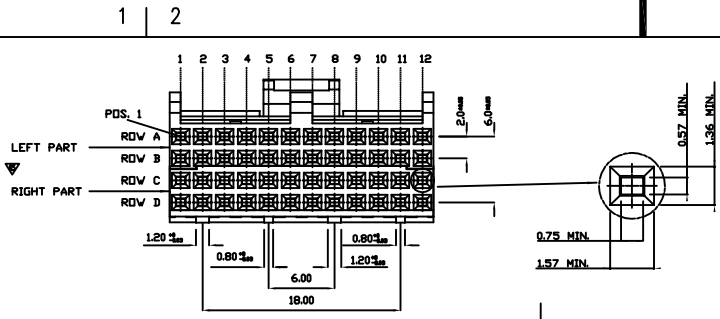


All rights strictly reserved. Reproduction or issue to third parties in any form whatever is not permitted without written authority from the proprietor. Property of FCI. Copyright FCI.



Tous droits strictement reserves. Reproduction ou communication a des tiers interdite sous quelque forme que ce soit sans autorisation ecrite du propriétaire. Propriété de c FCI. Droits de reproduction FCI.



FOR SELECT LOAD P/N:

PRODUCT NR:	ROW#	CONFIGURATION											
		1	2	3	4	5	6	7	8	9	10	11	12
10030896-X201 10030896-X201LF	D	-	X	X	X	-	X	-	X	-	X	-	X
	C	X	-	X	-	X	-	X	-	X	-	X	-
	B	-	X	X	X	-	X	-	X	-	X	-	X
	A	X	-	X	-	X	-	X	-	X	-	X	-

"-" POSITION NOT LOADED
 "X" POSITION LOADED

NOTE:
 1. WHEN PART NUMBER WITH A "LF" SUFFIX, THEN THE LF CONTACTS MUST BE USED.
 FOR EXAMPLE: PART NUMBER IS10030896-XXXXLF
 CONTACT NUMBER ISHOULD BE HM1CCD----LF

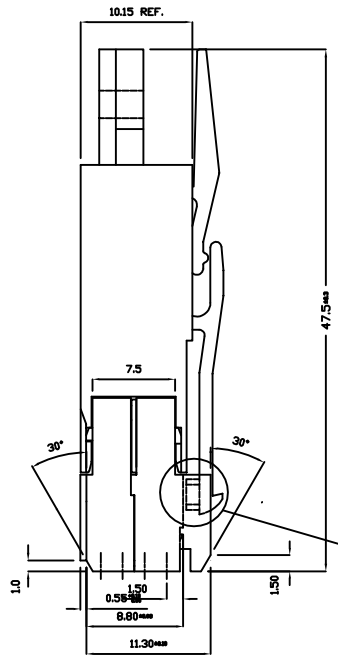
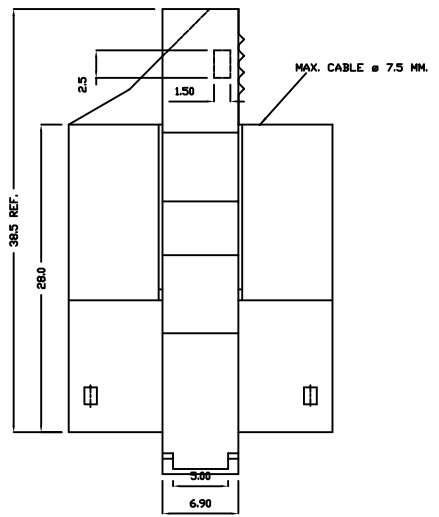
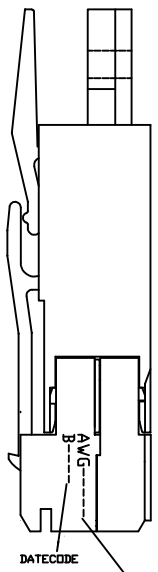
PERFORMANCE CHARACTERISTICS:
 VOLTAGE RATING : 250 VAC.
 CURRENT RATING : 1.0 A AT 70°C.
 INSULATION RESISTANCE : 10⁹ MΩ MIN.AFTER TEST.
 DIELECTRIC WITHSTANDING VOLTAGE : 1000 V.
 CONTACT RESISTANCE : 20 mΩ MAX. AFTER TEST.
 OPERATING T° : -55°C TO +125°C.
 INSERTION FORCE : 0.94 N MAX. PER CONTACT.
 WITHDRAWAL FORCE : 0.20 N MIN. PER CONTACT.

MATERIALS:
 TERMINAL BLOCK : GLASS REINFORCED THERMOPLASTIC UL94-V0.
 COVER : POLYAMIDE-NYLON.
 LOCKING KEY : POLYAMIDE-NYLON.
 CONTACTS : PHOSPHOR BRONZE.
 PLATING : X=1 : 0.75 μ AU MIN. OVER NI IN CONTACT AREA;
 SNPB(60/40) ON IDC-TERMINAL OR PURE Sn FOR LF.

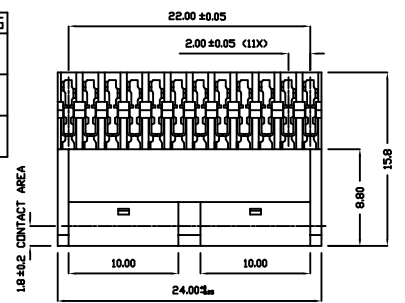
WIRE CHARACTERISTICS:
 INSULATION DIAMETER 0.75 MM MAX.
PART NUMBERS:
 10030896-X101 CONNECTOR FOR WIRE SIZE AWG28,AWG30 WITHOUT RETENTION RIBS ON INSULATION PLATE AND HOOD
 10030896-X121 CONNECTOR FOR WIRE SIZE AWG26 WITHOUT RETENTION RIBS ON INSULATION PLATE AND HOOD
 10030896-X201 CONNECTOR FOR WIRE SIZE AWG28,AWG30 WITHOUT RETENTION RIBS ON INSULATION PLATE AND HOOD

PILLOW COMPRESSED.
 PLASTIC EDGE STOPS
 COMPRESSING THE PILLOW
 AT POINT GIVES MAX
 COMPRESSION 0.4mm.

CONNECTOR MARKING



PARTNUMBER	WIRE SIZE MARKING	LOADING
10030896-X101	AWG28/30	FULL
10030896-X101LF		
10030896-X121	AWG26	FULL
10030896-X121LF		
10030896-X201	AWG28/30	SELECT
10030896-X201LF		



CONFIDENTIAL

mat'l. code		tolerances unless otherwise specified		CUSTOMER COPY	
ltr	ecn no	dr	date	.X ± 0.2	projection
A	T03-0280	M W	07/09/03	.XX ± 0.1	⊕
B	T03-0336	M W	08/12/03	.XXX ±	⊕
C	T03-0340	Jeff	10/26/03	0° ± 1°	⊕
D	0604-0034	CLu	05/26/04	dr	MAGGIE WU 06/30/03
E	0605-0079	CLu	04/11/05	engr	JEFF.HSIEH 06/30/03
				chr	JEFF.HSIEH 06/30/03
				appd	JENN TSAO 06/30/03
sheet	revision	E		scale	1.5:1
index	sheet	1			

		www.fciconnect.com	
		title	
4X12 POS. HM1 CABLE CONNECTOR		WITH STR. CABLE EXIT HOOD & SUPPORT PILLOW	
product family		HM1	code
size		dwg no	sheet
A4		10030896	1 of 1