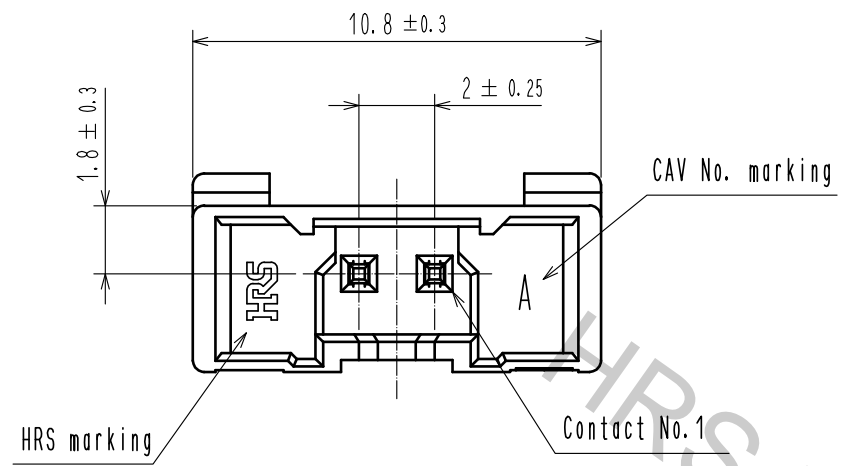
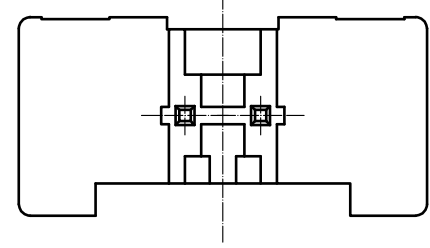
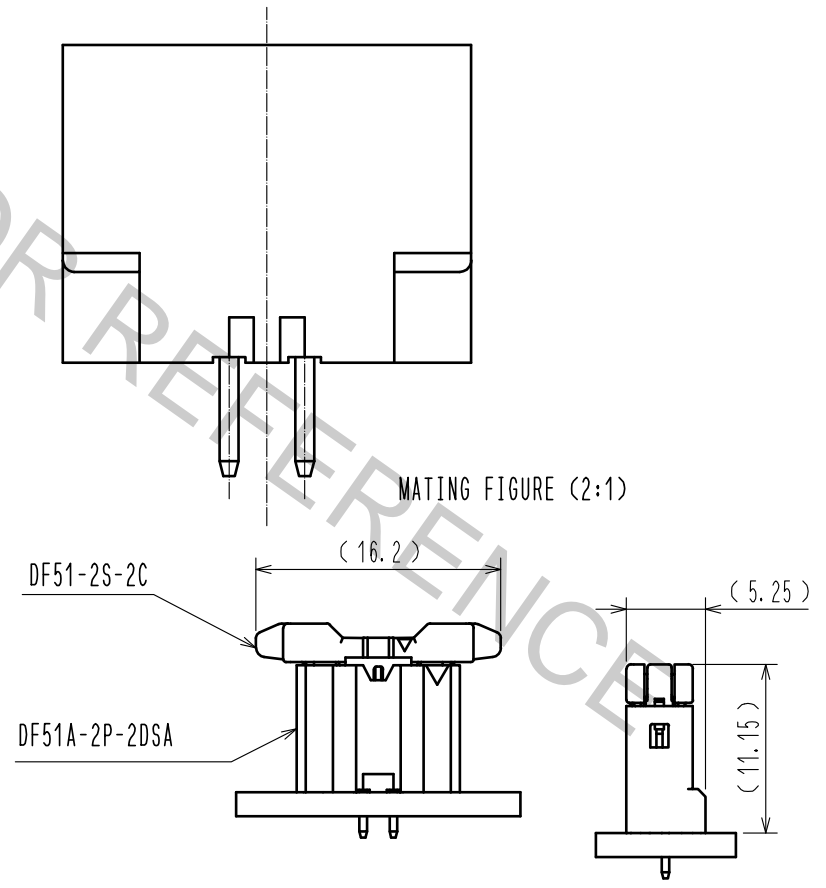
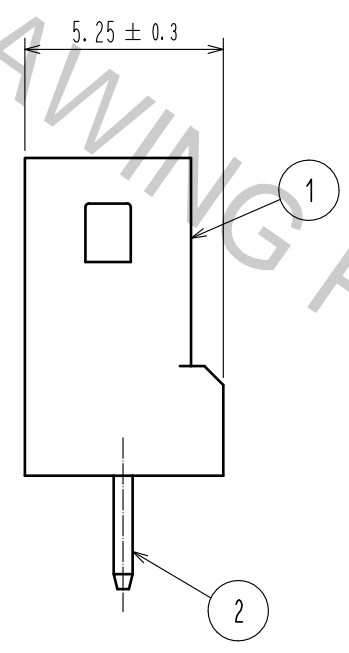
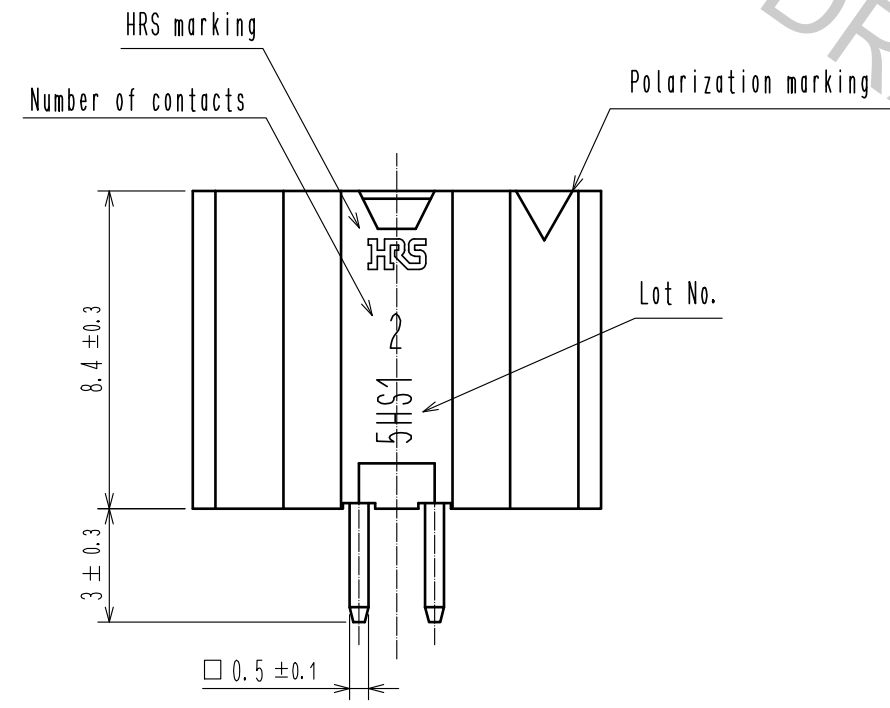
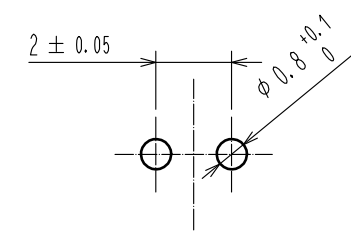


Aug.1.2018 Copyright 2018 HIROSE ELECTRIC CO., LTD. All Rights Reserved.
 In case that the application demands a high level of reliability, such as automotive,
 please contact a company representative for further information.



RECOMMENDED PATTERN(FREE)
 (BOARD THICKNESS t=1.6mm)



Note 1. Per pack : 100 Pieces.
 2. The dimension parenthesis are for reference.

1	PBT	UL94V-0, BLACK	2	BRASS	SURFACE:Sn PLATING 1μm MIN UNDER PLATING:NICKEL PLATING 0.5μm MIN
NO.	MATERIAL	FINISH, REMARKS	NO.	MATERIAL	FINISH, REMARKS
UNITS mm		SCALE 5 : 1	COUNT 	DESCRIPTION OF REVISIONS	DESIGNED
APPROVED : HS. OKAWA 17.10.04				DRAWING NO.	EDC-363914-00-00
CHECKED : ST. WADA 17.10.04				PART NO.	DF51A-2P-2DSA
DESIGNED : TH. SATO 17.10.04				CODE NO.	CL543-5105-0-00
DRAWN : TH. SATO 17.10.04				1/1	