

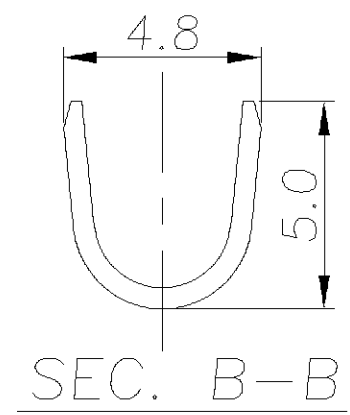
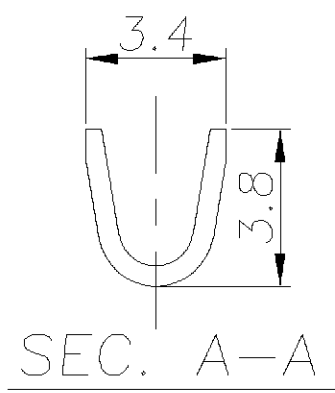
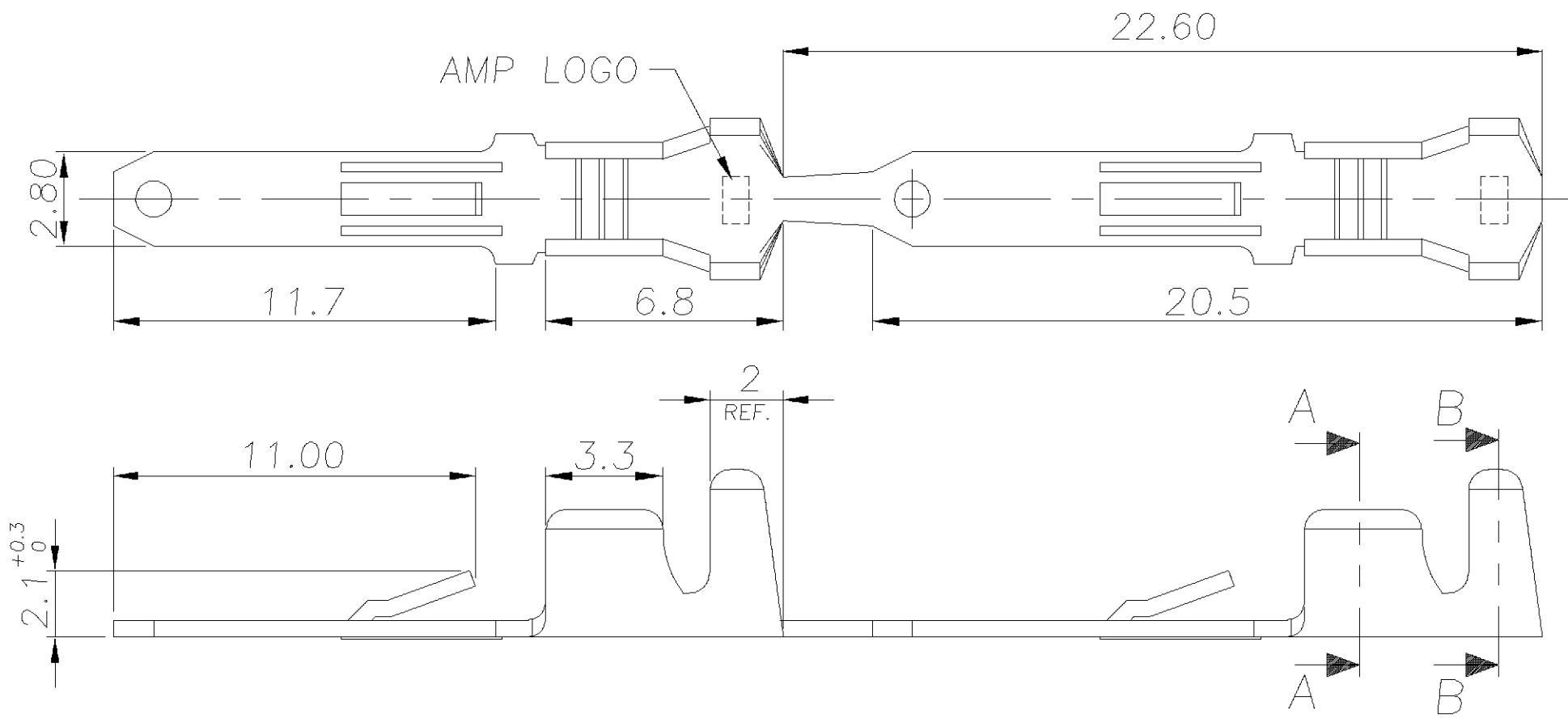
NUMBER
C-1470236

3RD ANGLE PROJECTION

METRIC

THIS INFORMATION IS CONFIDENTIAL AND IS DISCLOSED TO YOU ON CONDITION THAT NO FURTHER DISCLOSURE IS MADE BY YOU TO OTHER THAN AMP PERSONNEL WITHOUT WRITTEN AUTHORIZATION FROM AMP (TAIWAN) LTD. DIMENSIONS IN MILLIMETERS. DO NOT SCALE PRINT.

PRINT
DW



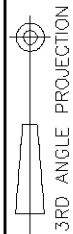
- NOTES :
- MATERIAL :
TERMINAL : BRASS C2680H, T=0.5mm
 - FINISH : TIN PLATING
 - APPLACTION :
ASSEMBLED WITH P/N : 1470241 SERIES HSG
WIRE SIZE : AWG #18~#16

	1470236-2
	1470236-1
PLATING THICKNESS	PART NUMBER

DIMENSION : 0 PLC ±0.5 1 PLC ±0.3 2 PLC ±0.2 3 PLC ± ANGLES ±3'	DWN	S. HOU 10-APR-2002	AMP TYCO HOLDINGS (BERMUDA) VII LTD. TAIWAN BRANCH
	CHK	J. CHENG 10-APR-2002	
MATERIAL	APVD	J. WU 10-APR-2002	NAME TAB, FASTIN-FASTON, .110 SERIES
SEE NOTE	PRODUCT SPEC		
FINISH	APPLICATION SPEC		LOC DW A ₃ SIZE C-1470236 DRAWING NO REV 0
SEE NOTE	WEIGHT		SCALE SHEET 1 OF 2

0	NEW RELEASED	FZ00-0089-02	SH JC	10APR 2002
LTR	REVISION RECORD	ECN	DWN CHK	DATE

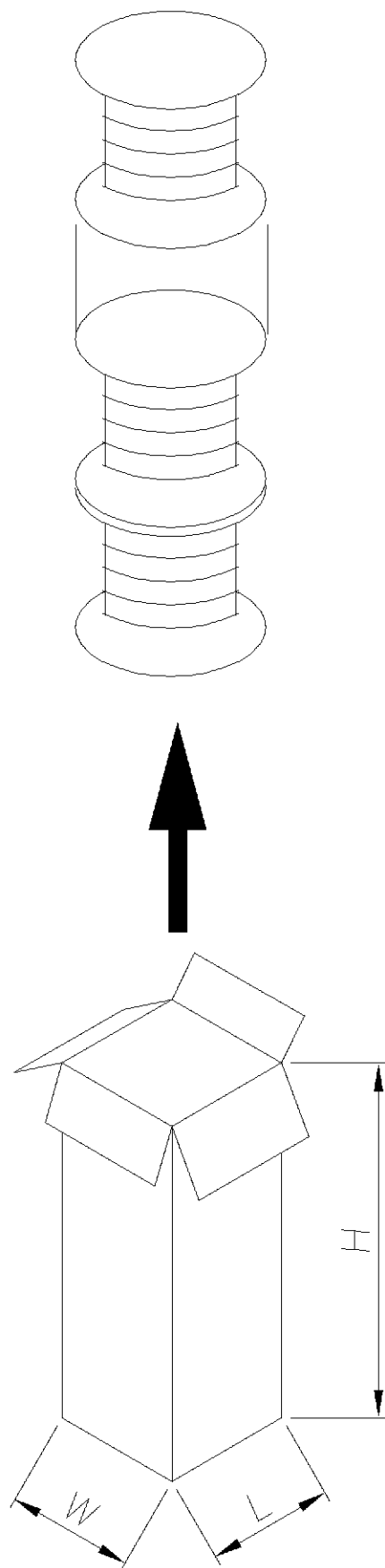
NUMBER
C-1470236



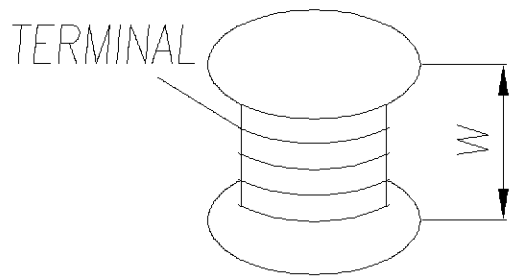
METRIC

THIS INFORMATION IS CONFIDENTIAL AND IS DISCLOSED TO YOU ON CONDITION THAT NO FURTHER DISCLOSURE IS MADE BY YOU TO OTHER THAN AMP PERSONNEL WITHOUT WRITTEN AUTHORIZATION FROM AMP (TAIWAN) LTD. DIMENSIONS IN MILLIMETERS. DO NOT SCALE PRINT.

PRINT
DW



SHIPPING CARTON



REEL

NOTE :

1. DIMENSION :

REEL : $\phi 260$, W=150

SHIPPING CARTON:

L=275, W=275, H=480

2. QUANTITY :

10,000 PCS/REEL

3 REEL/SHIPPING CARTON

DIMENSION :	DWN	S. HOU	AMP TYCO HOLDINGS (BERMUDA) VII LTD. TAIWAN BRANCH	
	0 PLC \pm	10-APR-2002		
1 PLC ± 0.3	CHK	J. CHENG	TAB, FASTIN-FASTON, .110 SERIES	
2 PLC ± 0.15		10-APR-2002		
3 PLC ± 0.1	MATERIAL	APVD	J. WU	LOC SIZE DRAWING NO REV DW A ₃ C-1470236 0
ANGLES $\pm 3'$	SEE NOTE	PRODUCT SPEC	10-APR-2002	
	FINISH	APPLICATION SPEC	WEIGHT	SCALE
	SEE NOTE			SHEET 2 OF 2

LTR	SEE SHEET 1	ECN	DWN	CHK	DATE
	REVISION RECORD				

8

7

6

5

4

3

2

1

CUSTOMER DRAWING