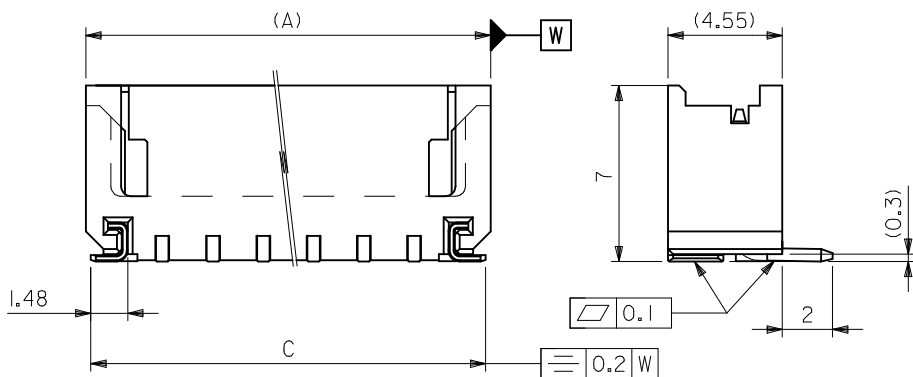


参考基板レイアウト
RECOMMENDED P.C.BOARD PATTERN DIM.(REF.)



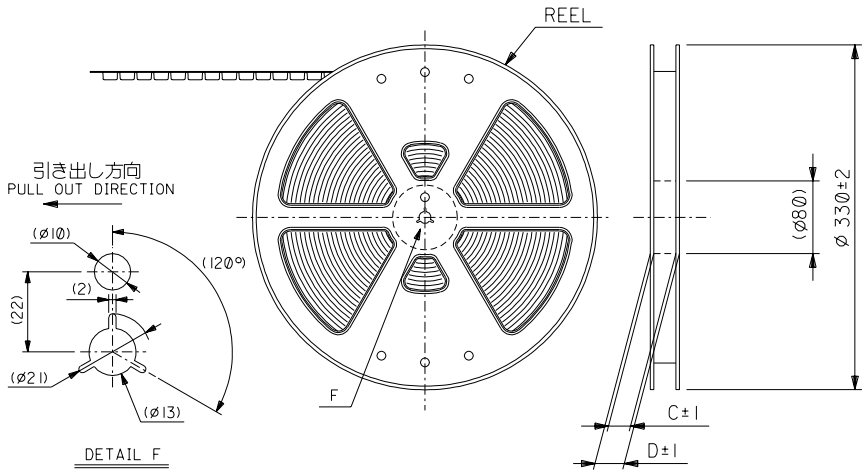
32.1	33.7	28	34.1	55460-1572	15
28.1	29.7	24	30.1	-1372	13
26.1	27.7	22	28.1	-1272	12
22.1	23.7	18	24.1	-1072	10
18.1	19.7	14	20.1	-0872	8
16.1	17.7	12	18.1	-0772	7
14.1	15.7	10	16.1	-0672	6
12.1	13.7	8	14.1	-0572	5
10.1	11.7	6	12.1	-0472	4
8.1	9.7	4	10.1	-0372	3
6.1	7.7	2	8.1	55460-0272	2
D	C	B	A	EMBOSSED PACKAGE オーダー番号 ORDER No.	種数 CKTS.

CONNECTOR SERIES NO. 55460-**19

注記
NOTES

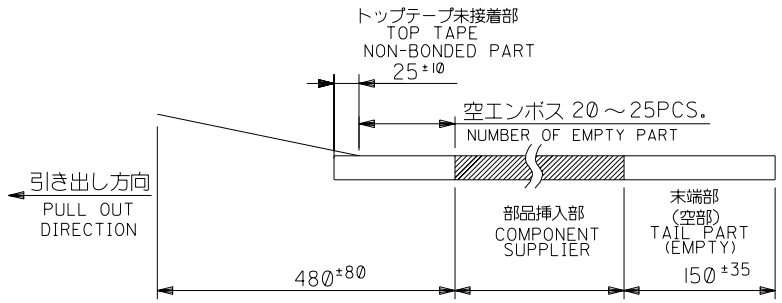
1. 材質
MATERIAL
ウエハー: PA (UL94V-0)
WAFER: PA (UL94V-0)
ピン: 黄銅 (口0.5), 銅下地錫メッキ
PIN: BRASS(0.5), TIN OVER COPPER PLATING
金具: リン青銅(+0.25), ニッケル下地錫メッキ
NAIL: PHOSPHOR BRONZE(+0.25), TIN OVER NICKEL PLATING
2. 嵌合相手: 51090, 52484 シリーズ
MATE WITH 51090, 52484 SERIES.
3. 本製品は 55460-**10 の鉛フリー品である。
THIS PRODUCT IS LEAD FREE OF 55460-**10.
4. ELV AND RoHS COMPLIANT.

REVISED EC NO: J2013-0327 DRINKMATSUYAMA 2012/09/13 CHKD:KASAKAWA 2012/09/19 APPR:YOITO 2012/09/20	GENERAL TOLERANCES (UNLESS SPECIFIED)		DIMENSION STYLE MM ONLY	SCALE ---	DESIGN UNITS METRIC	THIRD ANGLE PROJECTION
	10 UNDER	±0.2	DRAWN BY T.UENO	DATE 2004/03/29	TITLE 2.0 W/B CONN WAFER ASSY FOR SMT ST molex DOCUMENT NO. SD-55460-010 SHEET NO. 1 OF 1	
	10 OVER 30 UNDER	±0.25	CHECKED BY M.SASAO	DATE 2004/03/29		
	30 OVER	±0.3	APPROVED BY YOITO	DATE 2012/09/20		
ANGULAR ±3° DRAFT WHERE APPLICABLE MUST REMAIN WITHIN DIMENSIONS		MATERIAL NO. SEE TABLE	SIZE A3			



NOTES

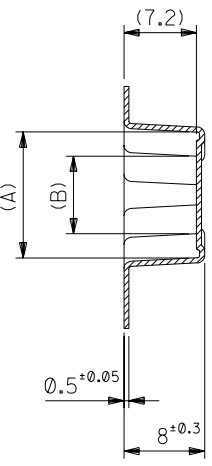
- 梱包数量: 900個/リール
NUMBER OF CONNECTOR: 900PCS/REEL
- リードテープ長さ
LEAD TAPE LENGTH



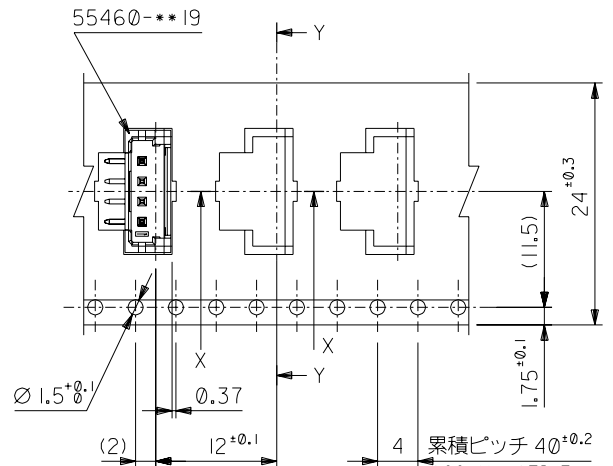
- トップテープの剥離強度: 0.1N ~ 1.3N (10gf ~ 130gf) (剥離方向は下図参照)
PEELING OFF FORCE OF TOP TAPE: 0.1N ~ 1.3N (10gf ~ 130gf) (PEELING DIRECTION IS SHOWN IN FOLLOWING FIG.)
<剥離速度: 300mm/min (参考)>
PEELING SPEED: 300mm/min. (REFERENCE)



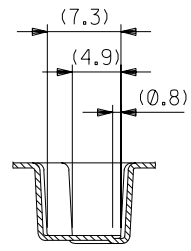
- 55460-**19の詳細寸法については図面SD-55460-010を参照下さい。
RE DETAILED DIMENSIONS, SEE SD-55460-010
- 材料 (MATERIAL)
キャリアテープ (CARRIER TAPE): ポリプロピレン (POLYPROPYLENE)
トップテープ (TOP TAPE): PET, PE, PEF
リール (REEL): ポリスチレン (PS) <リサイクル材を含む>
POLYSTYRENE (PS) <RECYCLE MATERIAL CONTAINED>
- 本製品は 55460-**90 の鉛フリー品である。
THIS PRODUCT IS LEAD FREE OF 55460-**90.



SECT. Y-Y



24mm幅キャリアテープ
24mm WIDTH CARRIER TAPE

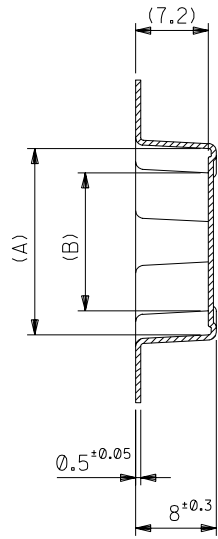


SECT. X-X

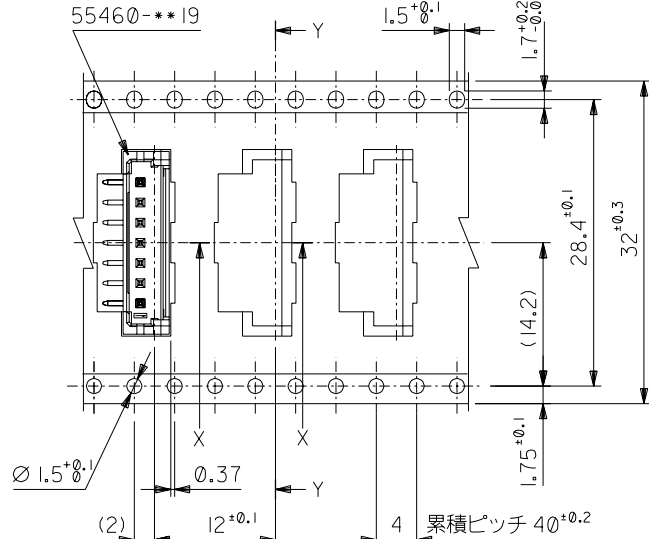
24	29.4	25.4	11.7	16.45	55460-0672	6		
			9.7	14.45	55460-0572	5		
			7.7	12.45	55460-0472	4		
			5.7	10.45	55460-0372	3		
			3.7	8.45	55460-0272	2		
キャリアテープ幅			D	C	B	A	MATERIAL NO.	種数 CKTS.

DO NOT SCALE DRAWING

EC NO. DRWN: CHK: APPR:	EC NO. DRWN: CHK: APPR:	EC NO. DRWN: CHK: APPR:	EC NO. DRWN: CHK: APPR:	EC NO. DRWN: CHK: APPR:	新規格作成 RELEASED EC NO. J2004-3410 DRWN: T.UENO '04/03/29 CHK: M.SASAO '04/03/29 APPR: M.SASAO '04/03/29	MATERIAL 材料	注記参照 SEE NOTES	GENERAL TOLERANCES: (UNLESS SPECIFIED) 一般公差	SCALE	DESIGN UNITS	THIRD ANGLE PROJECTION	DIMENSIONS: <input type="checkbox"/> mm <input type="checkbox"/> INCH <input checked="" type="checkbox"/> mm ONLY	SHT	REV
						FINISH 仕上げ	//	10 UNDER 未満 ±0.2	DRAWN BY & DATE T.UENO '04/03/29	TITLE: 2.0 W+B Conn WAFER Assy Embstp pkg -LEAD FREE-				
						WIRE RANGE 適用電線範囲	//	10 OVER 30 UNDER 未満 ±0.25	CHECKED BY & DATE M.SASAO '04/03/29	MATERIAL NO. SD-55460-011, S01	DRAWING NO. SD-55460-011	SHEET NO. 1 OF 3		
						INS. RANGE 被覆外径	//	30 OVER 以上 ±0.3	APPROVED BY & DATE M.SASAO '04/03/29	MOLEX INCORPORATED			THIS DRAWING CONTAINS INFORMATION THAT IS PROPRIETARY TO MOLEX INCORPORATED AND SHOULD NOT BE USED WITHOUT WRITTEN PERMISSION.	SIZE B
						ANGLE 角度	±3°							

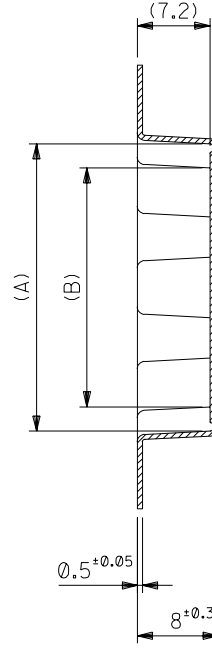


SECT. Y-Y

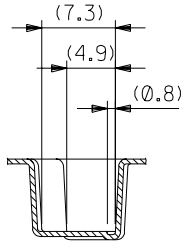


引き出し方向
PULL OUT DIRECTION

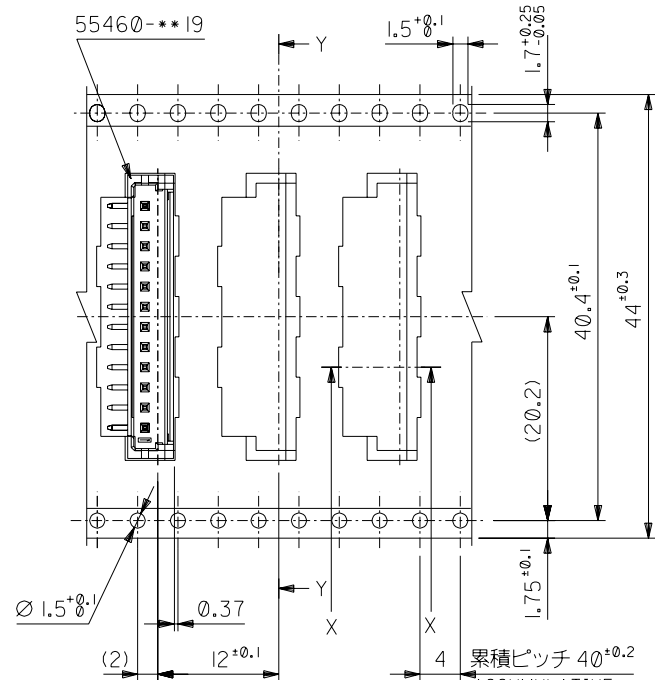
32mm幅キャリアテープ
32mm WIDTH CARRIER TAPE



SECT. Y-Y



SECT. X-X



引き出し方向
PULL OUT DIRECTION

44mm幅キャリアテープ
44mm WIDTH CARRIER TAPE

44	49.4	45.4	25.7	30.45	55460-1372	13
			23.7	28.45	55460-1272	12
32	37.4	33.4	19.7	24.45	55460-1072	10
			15.7	20.45	55460-0872	8
			13.7	18.45	55460-0772	7
キャリアテープ幅	D	C	B	A	MATERIAL NO.	種数 CKTS.

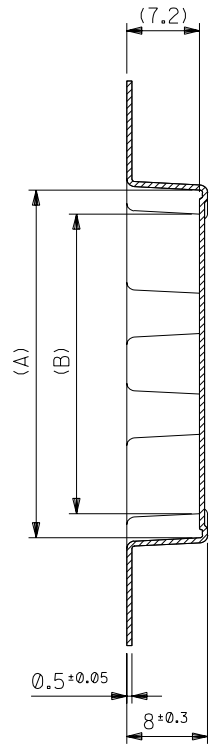
SCALE	DESIGN UNITS	THIRD ANGLE PROJECTION	DIMENSIONS:	SHT	REV
1:1	mm <input checked="" type="checkbox"/> INCH <input type="checkbox"/>	<input checked="" type="checkbox"/> FIRST ANGLE <input type="checkbox"/> THIRD ANGLE	<input type="checkbox"/> mm <input type="checkbox"/> INCH <input type="checkbox"/> mm ONLY		REVISION ON CAD ONLY

DRAWN BY & DATE T.UENO '04/03/29	TITLE: 2.0 WtB Conn WAFER Assy Embstp pkg -LEAD FREE-
CHECKED BY & DATE M.SASAO '04/03/29	MOLEX MOLEX INCORPORATED
APPROVED BY & DATE M.SASAO '04/03/29	MATERIAL NO. SEE CHART
CAD FILENAME SD-55460-011.S02	DRAWING NO. SD-55460-011
THIS DRAWING CONTAINS INFORMATION THAT IS PROPRIETARY TO MOLEX INCORPORATED AND SHOULD NOT BE USED WITHOUT WRITTEN PERMISSION.	
SIZE B	

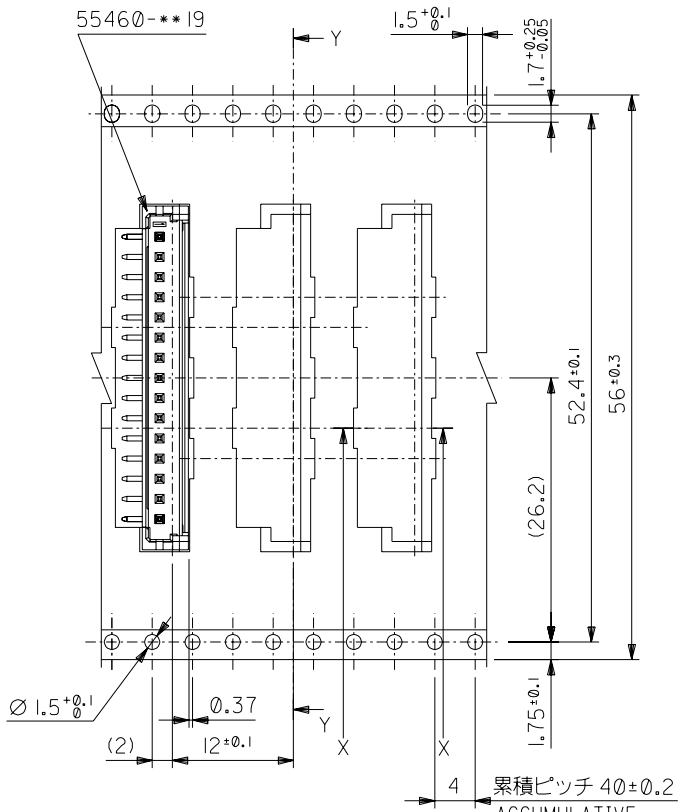
EC NO. DRWN: CHK: APPR:	EC NO. DRWN: CHK: APPR:	EC NO. DRWN: CHK: APPR:	EC NO. DRWN: CHK: APPR:	EC NO. DRWN: CHK: APPR:	EC NO. SEE SHEET 1 OF 3 DRWN: CHK: APPR:	DESCRIPTION	MATERIAL 材料 SHEET 1 OF 3 参照 SEE SHEET 1 OF 3	GENERAL TOLERANCES: (UNLESS SPECIFIED) 一般公差	ANGLE 角度
						FINISH 仕上げ		10 UNDER 未満 ±0.2	
						WIRE RANGE 適用電線範囲		10 OVER 30 UNDER 未満 ±0.25	
						INS. RANGE 被覆外径		30 OVER 以上 ±0.3	

DO NOT SCALE DRAWING

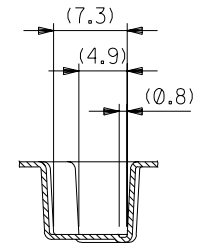
DWG. NO.
SD-55460-011



SECT. Y-Y



引き出し方向
PULL OUT DIRECTION
56mm幅キャリアテープ
56mm WIDTH CARRIER TAPE



SECT. X-X

56	61.4	57.4	29.7	34.45	55460-1572	15
キャリアテープ幅	D	C	B	A	MATERIAL NO.	種数 CKTS.

55460-***72	MODEL NO.	DIMENSIONS:	SHT	REV
<input checked="" type="checkbox"/> mm	<input type="checkbox"/> INCH	<input type="checkbox"/> mm ONLY		REVISE ON CAD ONLY

SCALE	DESIGN UNITS	THIRD ANGLE PROJECTION	TITLE:		
<input checked="" type="checkbox"/> mm	<input type="checkbox"/> INCH	<input checked="" type="checkbox"/> mm ONLY	2.0 WtB Conn WAFER Assy		
DRAWN BY & DATE		CHECKED BY & DATE			
T.UENO '04/03/29		M.SASAO '04/03/29			
APPROVED BY & DATE		M.OLEX INCORPORATED			
M.SASAO '04/03/29					
CAD FILENAME	MATERIAL NO.	DRAWING NO.	SHEET NO.		
SD-55460-011.S03	SEE CHART	SD-55460-011	3 OF 3		

THIS DRAWING CONTAINS INFORMATION THAT IS PROPRIETARY TO MOLEX INCORPORATED AND SHOULD NOT BE USED WITHOUT WRITTEN PERMISSION. SIZE B

DO NOT SCALE DRAWING

EC NO.	DRWN:	CH'K:	APPR:	EC NO.	DRWN:	CH'K:	APPR:	EC NO.	DRWN:	CH'K:	APPR:	EC NO.	DRWN:	CH'K:	APPR:	EC NO.	DRWN:	CH'K:	APPR:
EC NO. SEE SHEET 1 OF 3																			
DESCRIPTION																			
MATERIAL 材料																			
SHEET 1 OF 3 参照 SEE SHEET 1 OF 3																			
FINISH 仕上げ																			
//																			
WIRE RANGE 適用電線範囲																			
//																			
INS. RANGE 被覆外径																			
//																			
REV																			
/																			

GENERAL TOLERANCES: (UNLESS SPECIFIED) 一般公差	
10 UNDER 未満	±0.2
10 OVER 以上 30 UNDER 未満	±0.25
30 OVER 以上	±0.3
ANGLE 角度	±3°