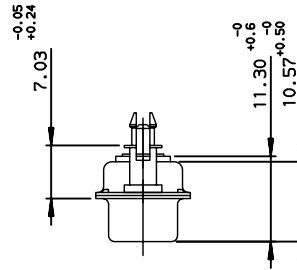
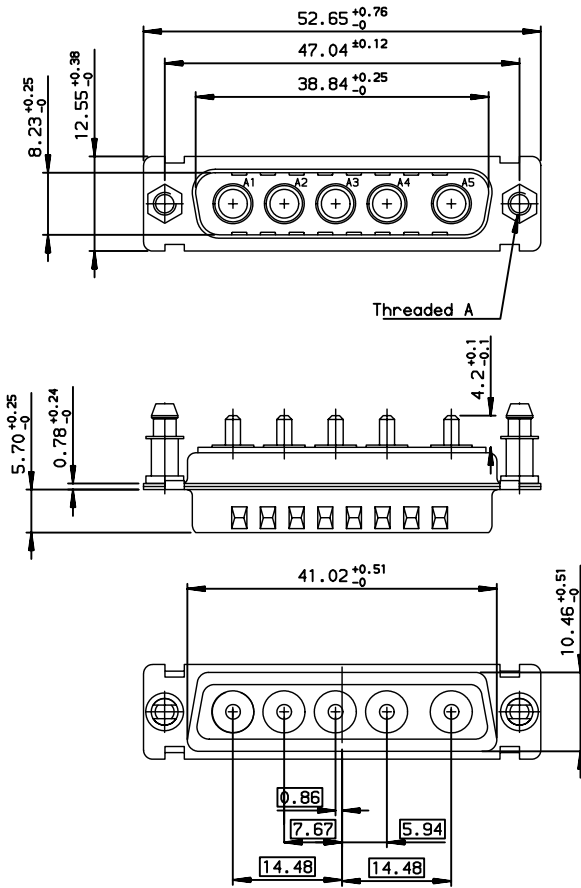
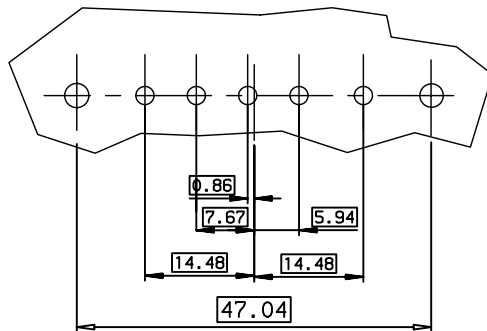


GENERAL CHARACTERISTICS : SEE DRAWING C01-8639-0001



DBL5W5P300H30	M3
DBL5W5P300H40	M3
DB05W5P300H30	UNC 4.40
DB05W5P300H40	UNC 4.40
PART NUMBER	Threaded A

LAYOUT DIMENSIONS (after plating)  
CONNECTOR SIDE VIEW



European Views

www.fciconnect.com		surface ISO 1302 <input checked="" type="checkbox"/>	tolerance std ISO 406 ISO 1101	projection 	mm
TOLERANCES UNLESS OTHERWISE SPECIFIED					
Dr	PESSON	2003/10/01	ANGULAR	0.X	±0.1
Eng	PESSON	2003/10/01	LINEAR	0.XX	±0.1
Chr	LEGARE	2003/10/01	0.XX' ±2'	0.XXX	±0.1
Appr	LEGARE	2003/10/01	Product family	SUB	Spec ref -
<b>CONNECTOR MALE 5W5</b> WITH ACCESSORIES				dwg no <b>C01-8639-1835</b>	Rev. <b>C</b>
catalog no				CUSTOMER	sheet 1 of 1

rev	ecn no	dr	date
B	-	MPE	2003/10/01
C	LS07-0094	MPE	2007/04/05
-	-	-	-
-	-	-	-
-	-	-	-
-	-	-	-