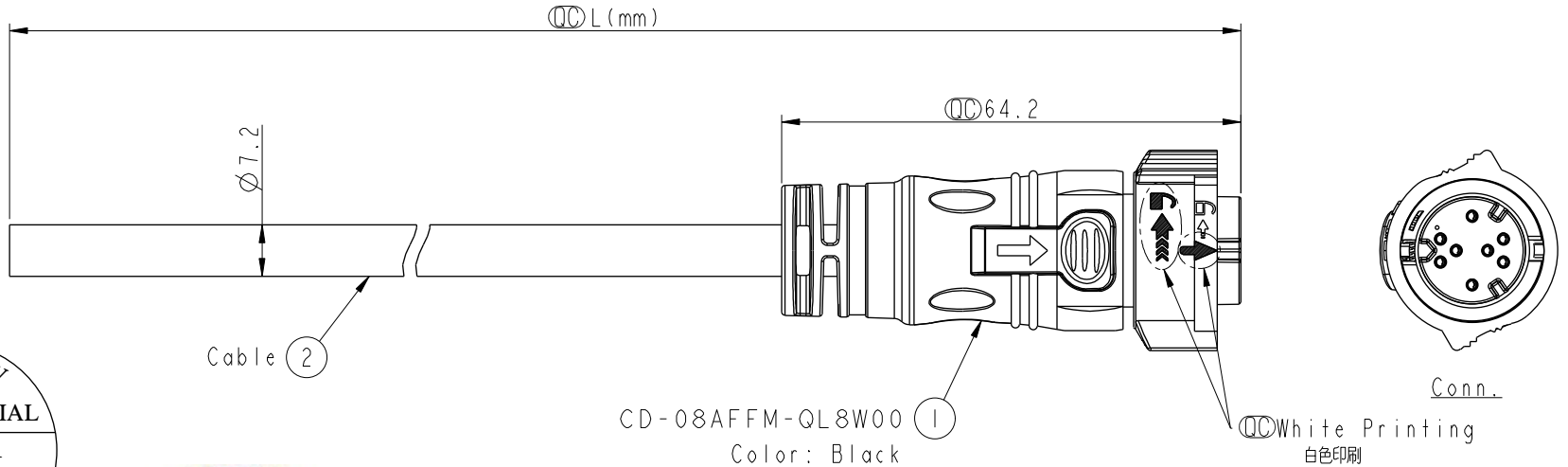


REV.	ECN NO.	DATE	SIGN	DESCRIPTION



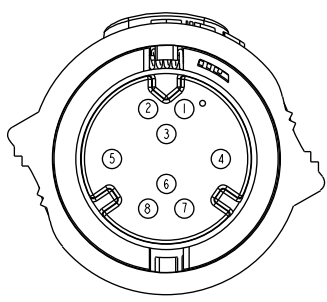
ALTW
CONFIDENTIAL
2014-12-11
R&D DEPT.

ALTW
DCC. DEPT.
CONFIDENTIAL
2015.03.23
ISSUED

CD-08AFFM-QL8W00
Color: Black

- Note:
- * \varnothing Important Dimension To Check.
 - * Working Voltage Rating: AC 300 V
 - * Working Current Rating: 5A
 - * Flame Class: UL94V-0 (UV Resistance)
 - * Waterproof Rate: IP68(Mated).
 - * Housing: Nylon+GF, Black.
 - * Female Pin: Copper Alloy, Gold Plated
 - * Cable: UL21388 20AWG*8C+AL/PET Tape Black,PVC Jacket UV Resistant, OD=7.2
 - * Cable Length Tolerance: 01M:±40mm
02M~05M:±60mm
06M~10M:±100mm
11M~30M:±200mm
31M~99M:±500mm

CD-08AFFM-QL8DXX
 ↑
 XX : 01~99Meters
 01 : 01Meter
 02 : 02Meters
 :
 :
 99 : 99Meters



8	Green	綠
7	Orange	橙
6	Blue	藍
5	Purple	紫
4	Yellow	黃
3	Black	黑
2	Red	紅
1	White	白
Conn.	Wire Color	Pin Out

UNIT:mm
TOLERANCE ±0.5

TITLE
X Lok C-Size
Cable 8 Pin 5A F Conn. F Pin

SCALE 1:1 SIZE A4 SHEET 1 OF 1

REV. A WC-REV. A.1 \varnothing : Inspection item

Amphenol LTW
安費諾亮泰企業股份有限公司

ITEM NO	DRAWN BY Micky	DATE 2014-12-11
DWG NO CD-08AFFM-QL8DXX	CHECKED BY Spring	DATE 2014-12-11
CUSTOMER ALTW	APPROVED BY Kevin	DATE 2014-12-11

THIS DOCUMENT IS SUBJECT TO CHANGE WITHOUT NOTICE. IT IS CONFIDENTIAL AND A PROPERTY OF Amphenol LTW. DISCLOSURE TO THIRD PARTY HAS TO BE AUTHORIZED BY Amphenol LTW.