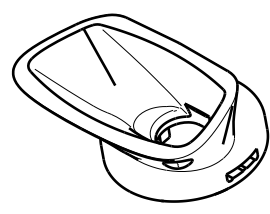
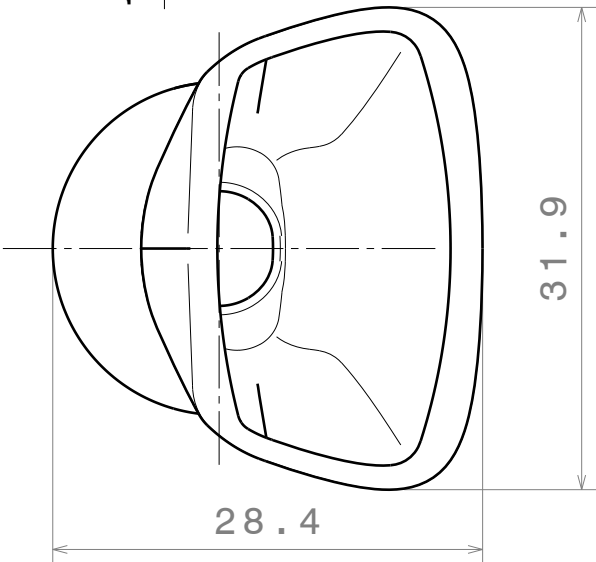
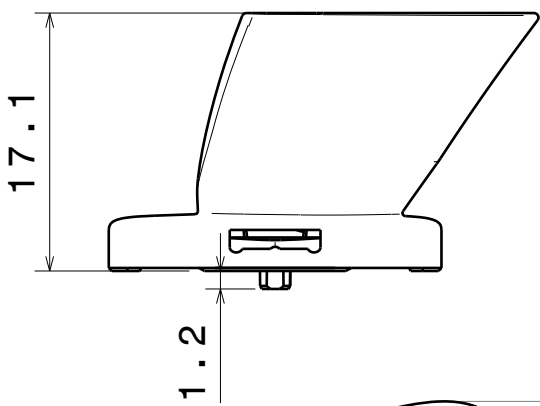
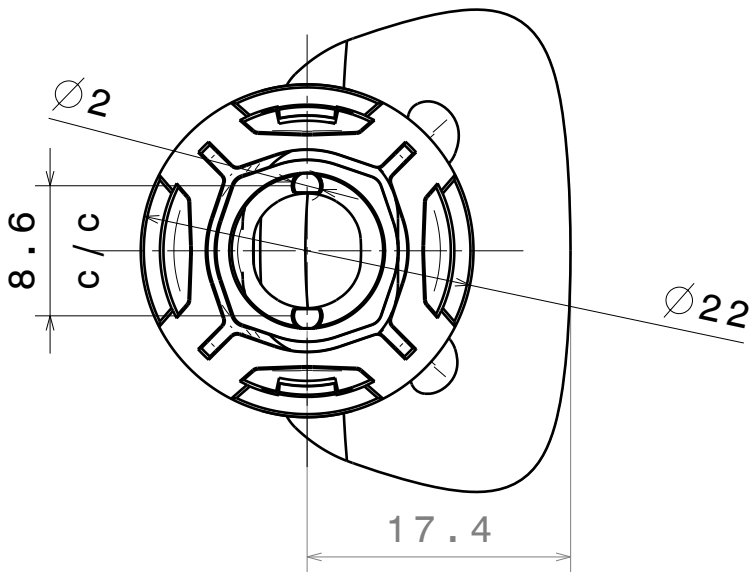
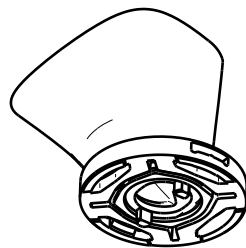


D C B A

4



Isometric view
Scale: 1:1



4

3

3

2

Material: White reflective PC

Tolerances for dimensions:
 0-20mm tolerance value $\pm 0.1\text{mm}$
 21-45mm tolerance value $\pm 0.2\text{mm}$
 46-90mm tolerance value $\pm 0.3\text{mm}$
 91-100mm tolerance value $\pm 0.4\text{mm}$
 101-mm tolerance value $\pm 0.5\text{mm}$

2

1

1

This drawing is our property.
 It can't be reproduced
 or communicated without
 our written agreement.



Ledil Oy
 Salorankatu 10
 FIN 24240 SALO
 Finland

DRAWING TITLE
 Datasheet Rita-WAS Reflector

DRAWN BY pv	DATE 11.06.2012
CHECKED BY vs	DATE 30.05.2012
DESIGNED BY hh	DATE 30.05.2012

SIZE A4	DRAWING NUMBER C12516	REV 1
SCALE 2:1	WEIGHT (g)	SHEET 1/1

D

A