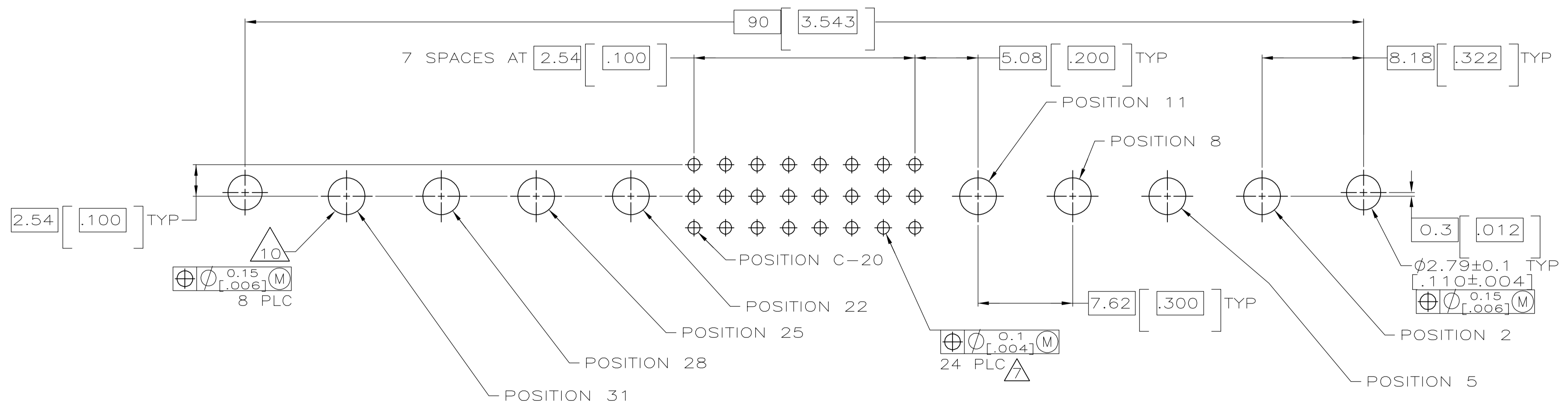
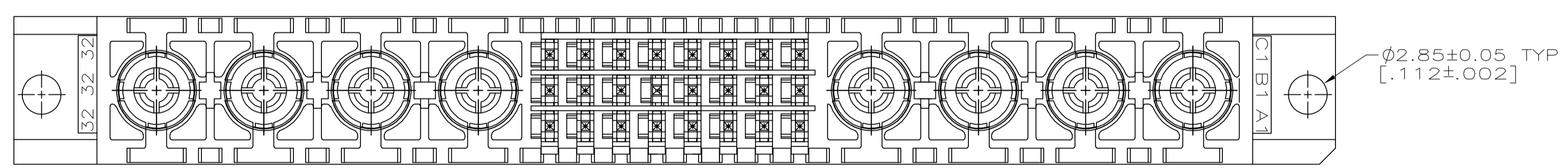
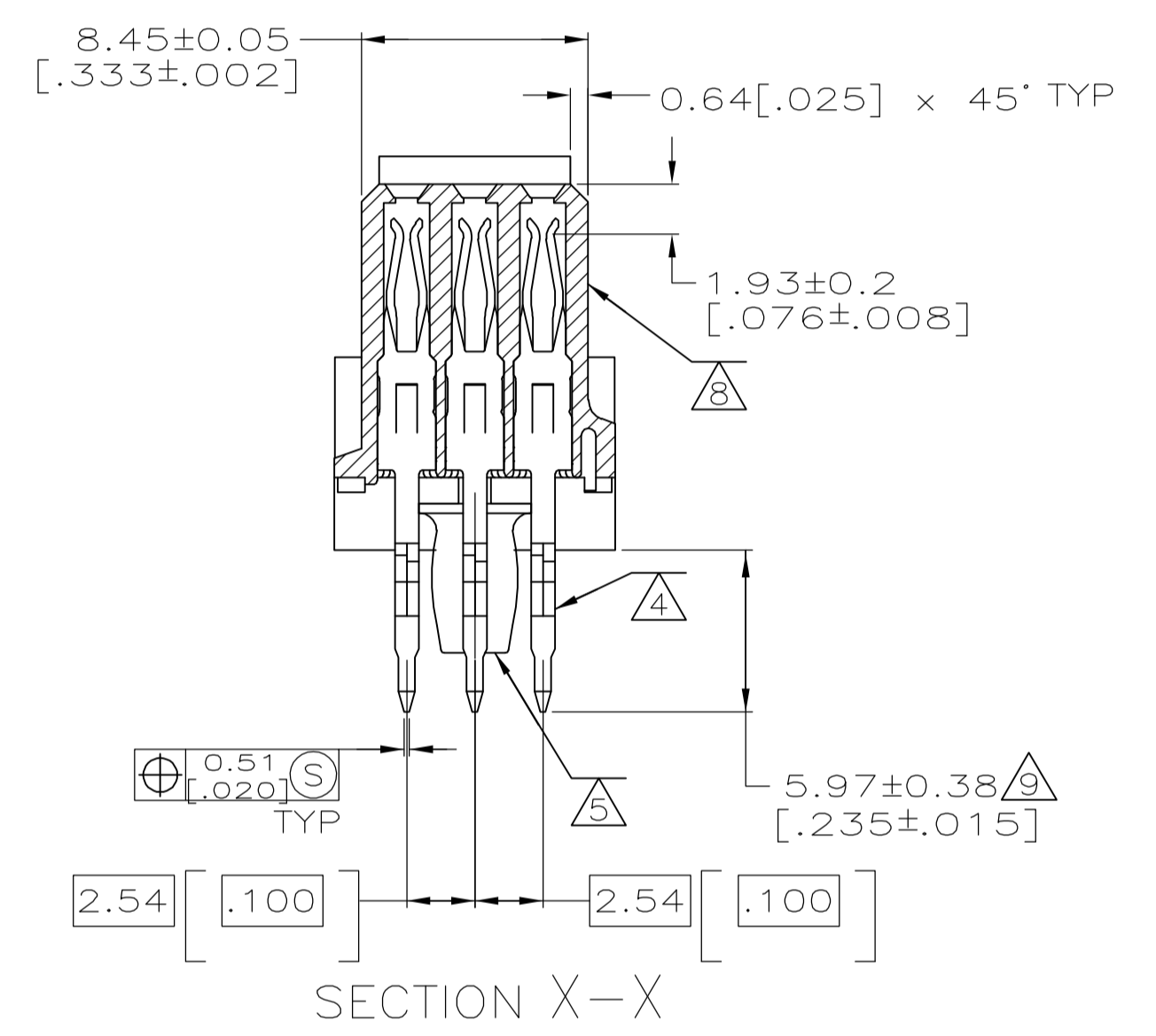
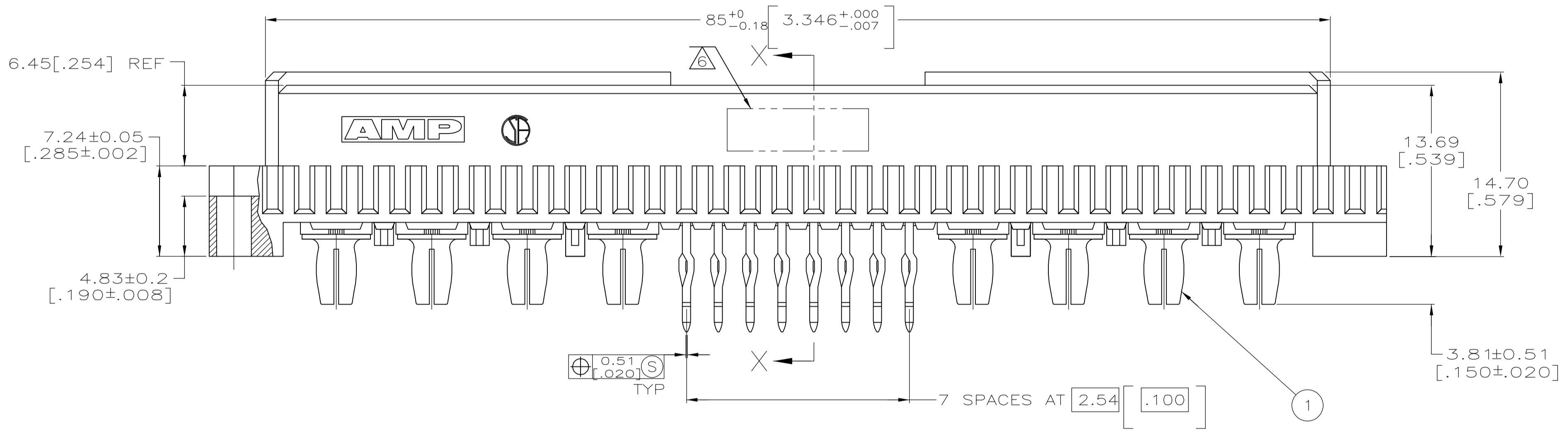
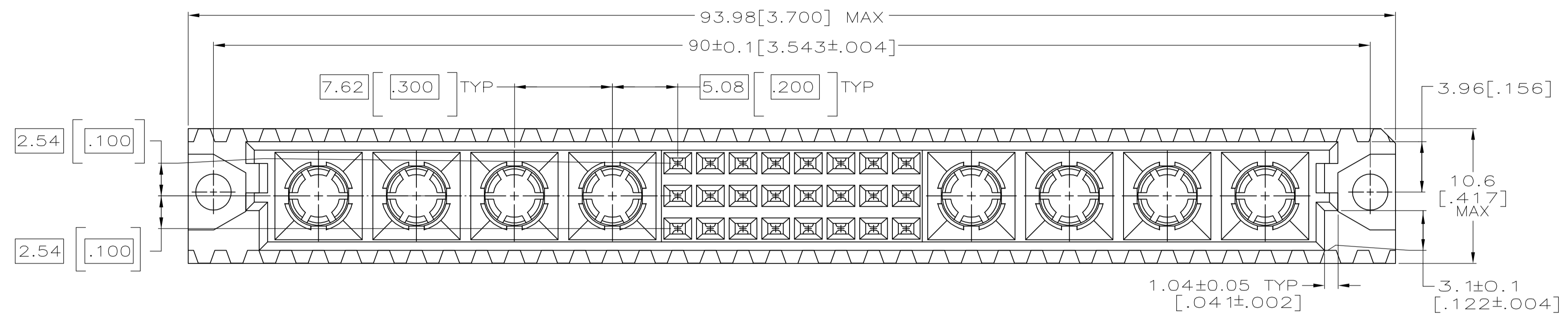


- ① HOUSING MATERIAL: GLASS-FILLED POLYESTER. COLOR: GRAY.
- ② CONTACT MATERIAL: PHOSPHOR BRONZE.
- ③ POWER CONTACT MATERIAL: BERYLLIUM COPPER.
- ④ CONTACT FINISH: DIN 41612 CLASS 2 IN CONTACT AREA. TIN-LEAD PLATE ON POSTS.
- ⑤ POWER CONTACT FINISH: DIN 41612 CLASS 2 ALL OVER.
- ⑥ PART NUMBER AND DATE CODE HOT STAMPED IN THIS APPROXIMATE AREA.
- ⑦ ACTION PIN POSTS REQUIRE 1.57[.062] MINIMUM THICK PC BOARD. RECOMMENDED PC BOARD DRILLED HOLES ARE $\phi 1.15 \pm 0.025$ [0.453 ± 0.010] WITH 0.02-0.08 [0.01-.003] COPPER AND 0.008 [0.003] MINIMUM TIN-LEAD PLATING. FINISHED HOLE AFTER PLATING IS $\phi 1.02 \pm 0.08$ [0.40 ± 0.03].
- ⑧ HOT STAMPING ON THIS SIDE.
- ⑨ TAIL LENGTH AFTER SEATING IN PC BOARD.
- ⑩ POWER CONTACTS REQUIRE 3.13 ± 0.08 [.123 ± 0.003] DIAMETER DRILLED HOLE WITH 0.05 ± 0.25 [0.02 ± 0.01] THICK COPPER AND 0.0127 [0.0005] MINIMUM TIN-LEAD PLATING. FINISHED HOLE SIZE IS 3.0 ± 0.08 [.118 ± 0.003].



POSITIONS LOADED	ROWS	NO. OF POWER CONTACTS LOADED	PART NUMBER
2,5,8,11,22,25,28,31	B	8	148370-3
2,5,8,11,22,25,28,31	B	8	148370-2
2,5,11,22,25,28,31	B	7	148370-1

POSITIONS LOADED	ROWS	NO. OF SIGNAL CONTACTS LOADED	PART NUMBER
13-20	C	8	148370-3
NONE	B	0	148370-2
13-20	A	8	148370-2
13-20	C	8	148370-2
13-20	B	8	148370-2
13-20	A	8	148370-2
13-20	C	8	148370-1
13-20	B	8	148370-1
13-20	A	8	148370-1

POWER CONTACTS NO REQ'D	PART NUMBER
8	148370-3
8	148370-2
7	148370-1

THIS DRAWING IS A CONTROLLED DOCUMENT.

DIMENSIONS:	TOLERANCES UNLESS OTHERWISE SPECIFIED:	DIN L BRINER 4/15/97	tyco Tyco Electronics Corporation
mm	0 PLC ± -	CHK R PATTERSON 4/15/97	Harrisburg, PA 17105-3608
	1 PLC ± -	APVD R PATTERSON 4/15/97	RECEPTACLE ASSEMBLY, EUROCARD, TYPE M, 24 POSITION
	2 PLC ± 0.13[.005]		
	3 PLC ± -		
	4 PLC ± -		
	ANGLES ± -		
MATERIAL:	FINISH:	SIZE	CAGE CODE
HOUSING: ①	CONTACT: ②	A1	00779
CONTACT: ③	POWER CONTACT: ④	DRAWING NO	148370
POWER CONTACT: ⑤		RESTRICTED TO	

CUSTOMER DRAWING SCALE 4:1 SHEET 1 OF 1 REV G