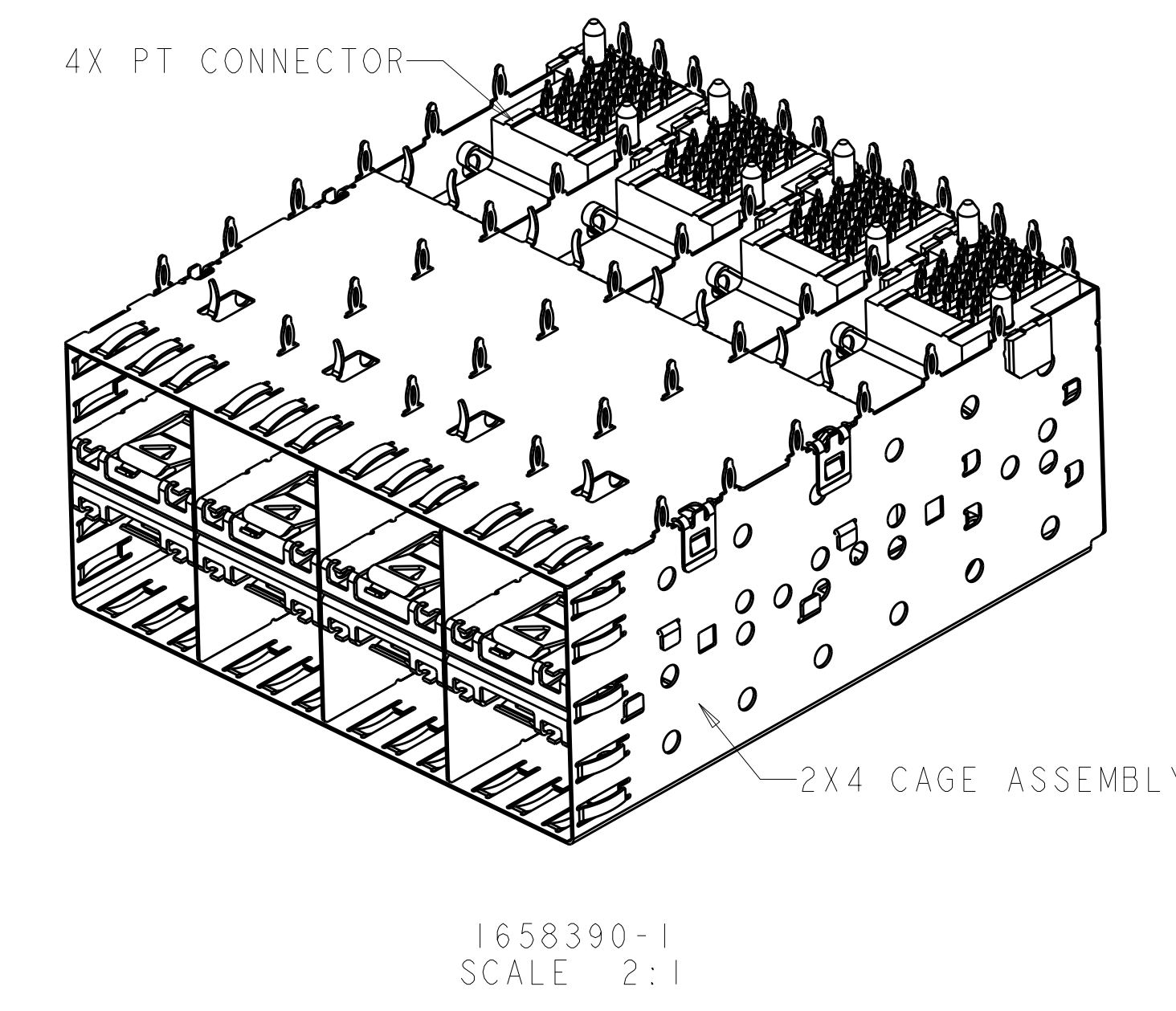
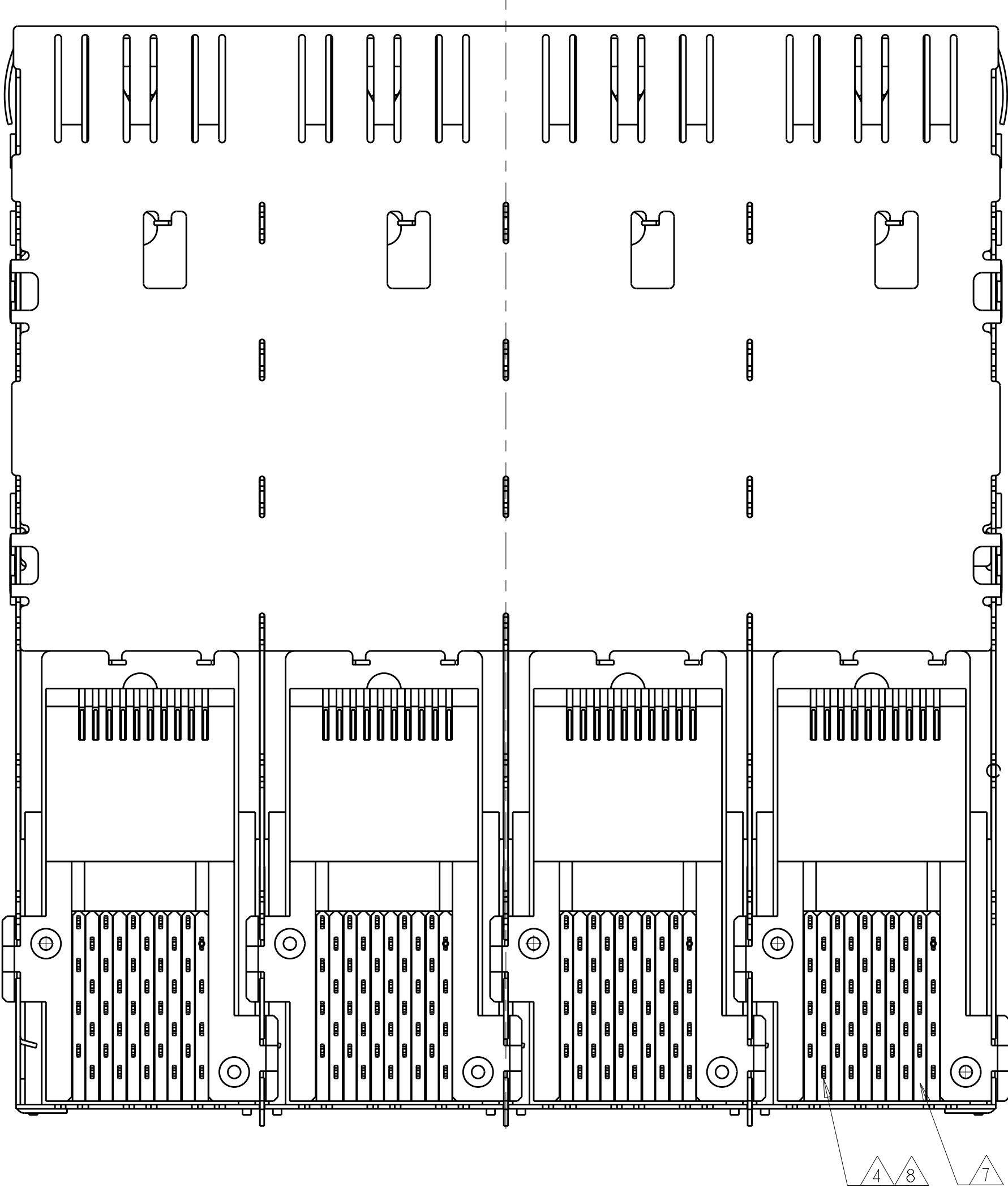
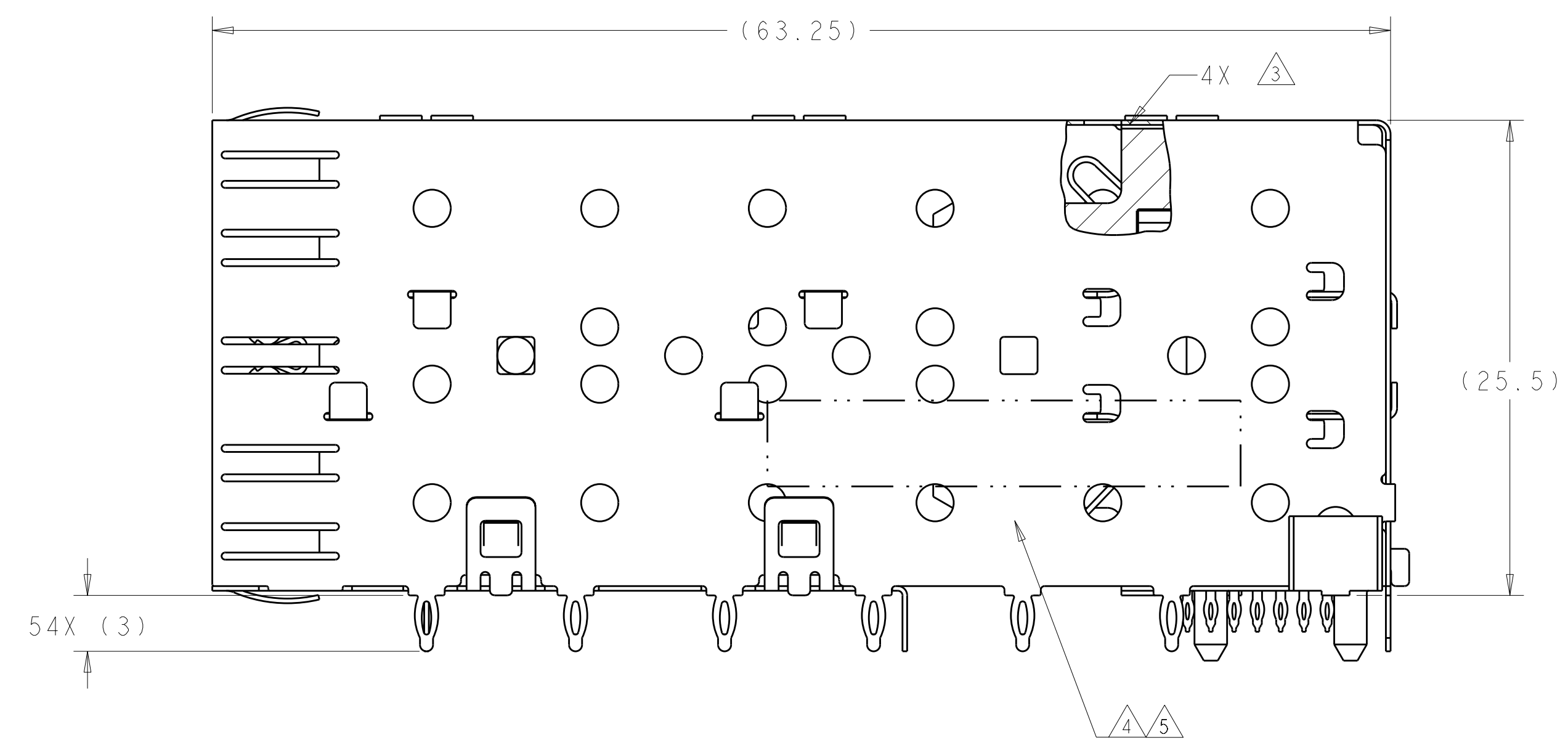
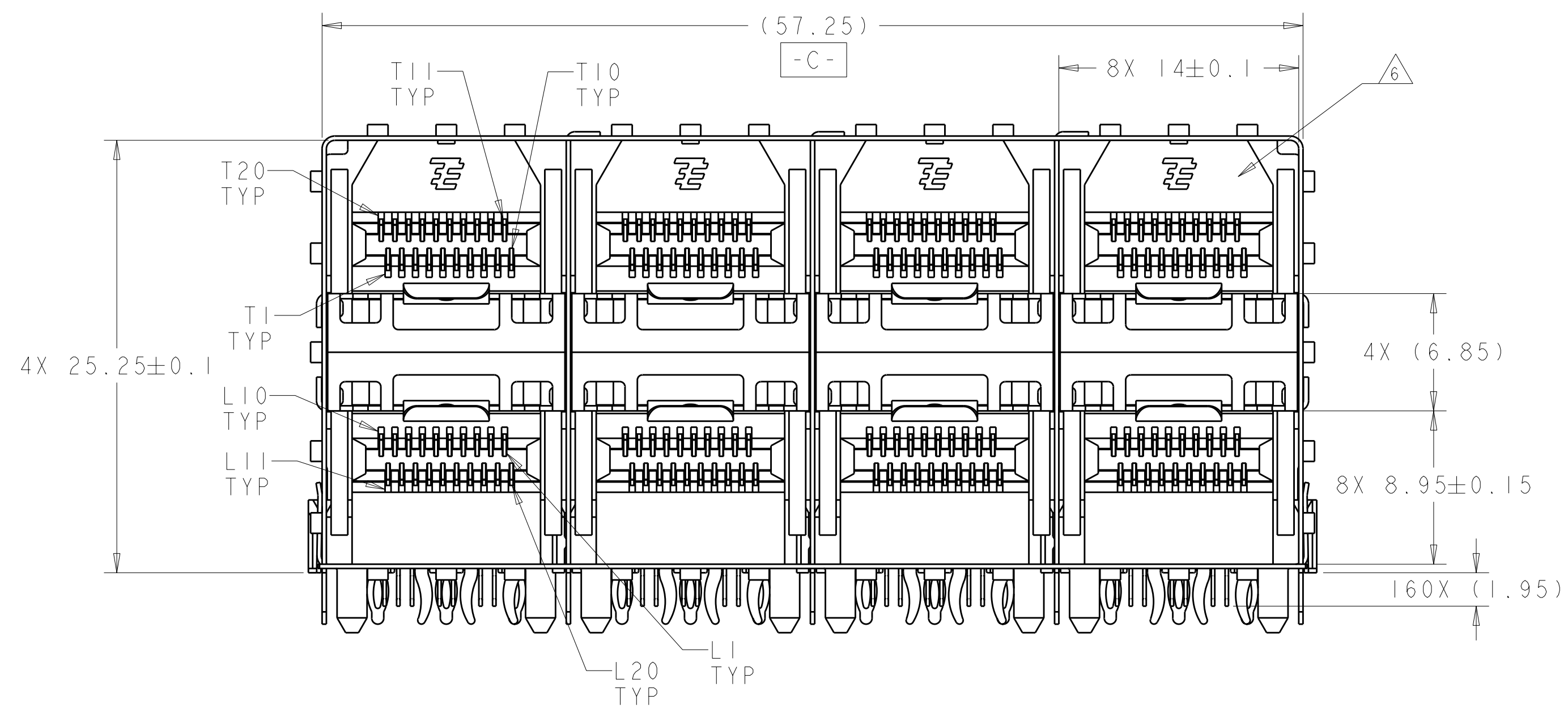


LOC	DIST	REVISIONS			
ES	00	REV	DATE	BY	APPD
		D1	REVISD PER ECO-11-005027	18MAR2011	RK HMR

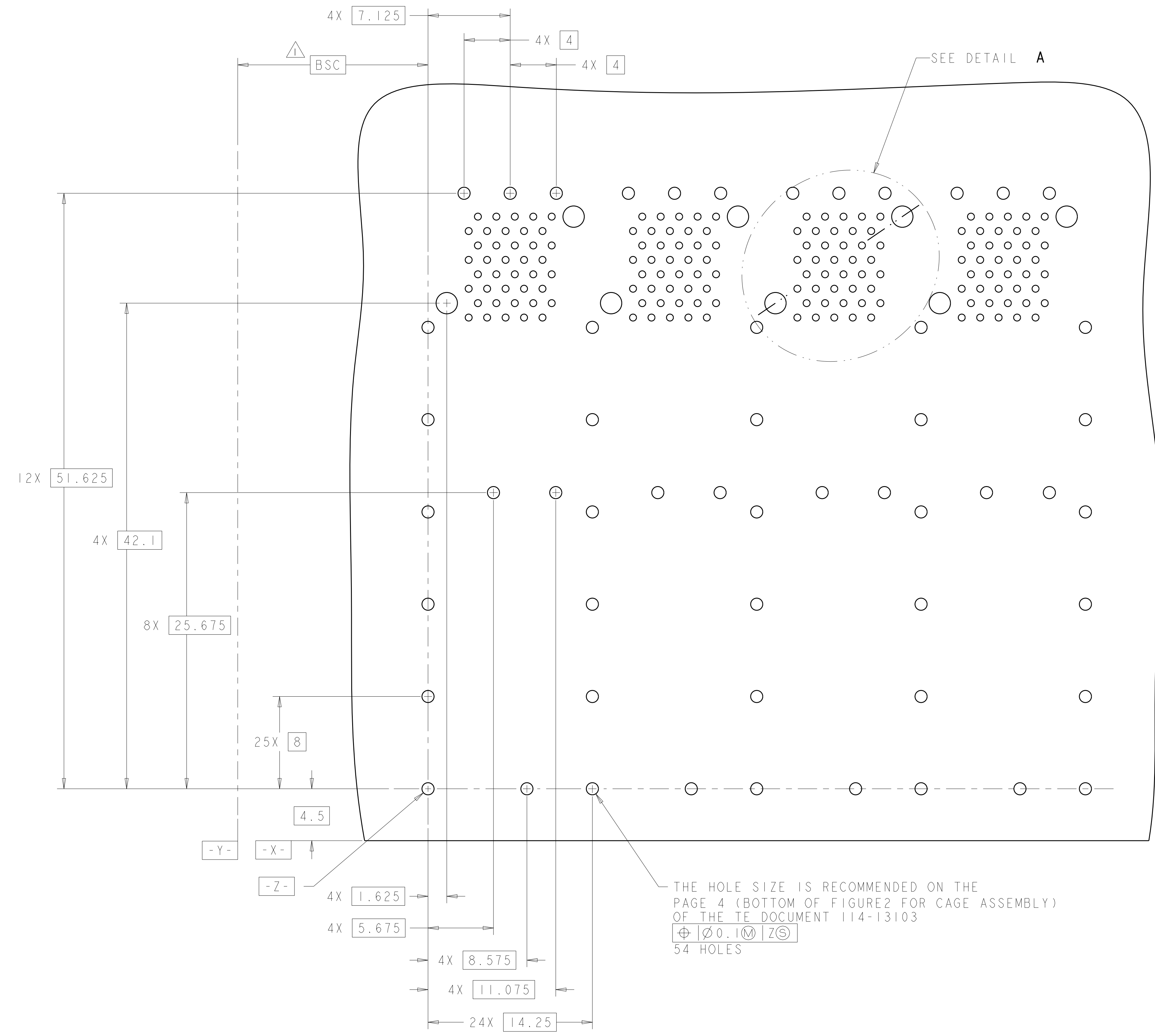


- △ DATUM AND BASIC DIMENSION TO BE DETERMINED BY CUSTOMER.
- △ INTERPRETATION OF DATUM REFERENCE FRAME IN ACCORDANCE WITH SECT 4.4.1.1 OF ASME Y14.5M-1994.
- △ TOP OF PT CONNECTOR TO BE 0-0.15 FROM INSIDE SURFACE OF CAGE.
- △ COPPER ALLOY.
- △ 1.25µm MIN TIN PER ASTM B 545 OVER NICKEL FLASH PER QQ-N-290. NON-PLATED EDGES PERMISSIBLE.
- △ LCP, HIGH TEMPERATURE, UL 94V-0 RATED, BLACK.
- △ POLYESTER, UL 94V-0 RATED, BLACK.
- △ CONTACT MATING AREA: SURFACE TREATMENT OVER 0.76µm MIN GOLD PER ASTM B 488 OVER 1.27µm MIN NICKEL PER QQ-N-290. NEEDLE EYE: 1.25µm MIN TIN PER ASTM B 545 OVER 1.27µm MIN NICKEL PER QQ-N-290. REMAINDER OF CONTACT: 0.76µm MIN NICKEL PER QQ-N-290.

1658390-1
PART NUMBER

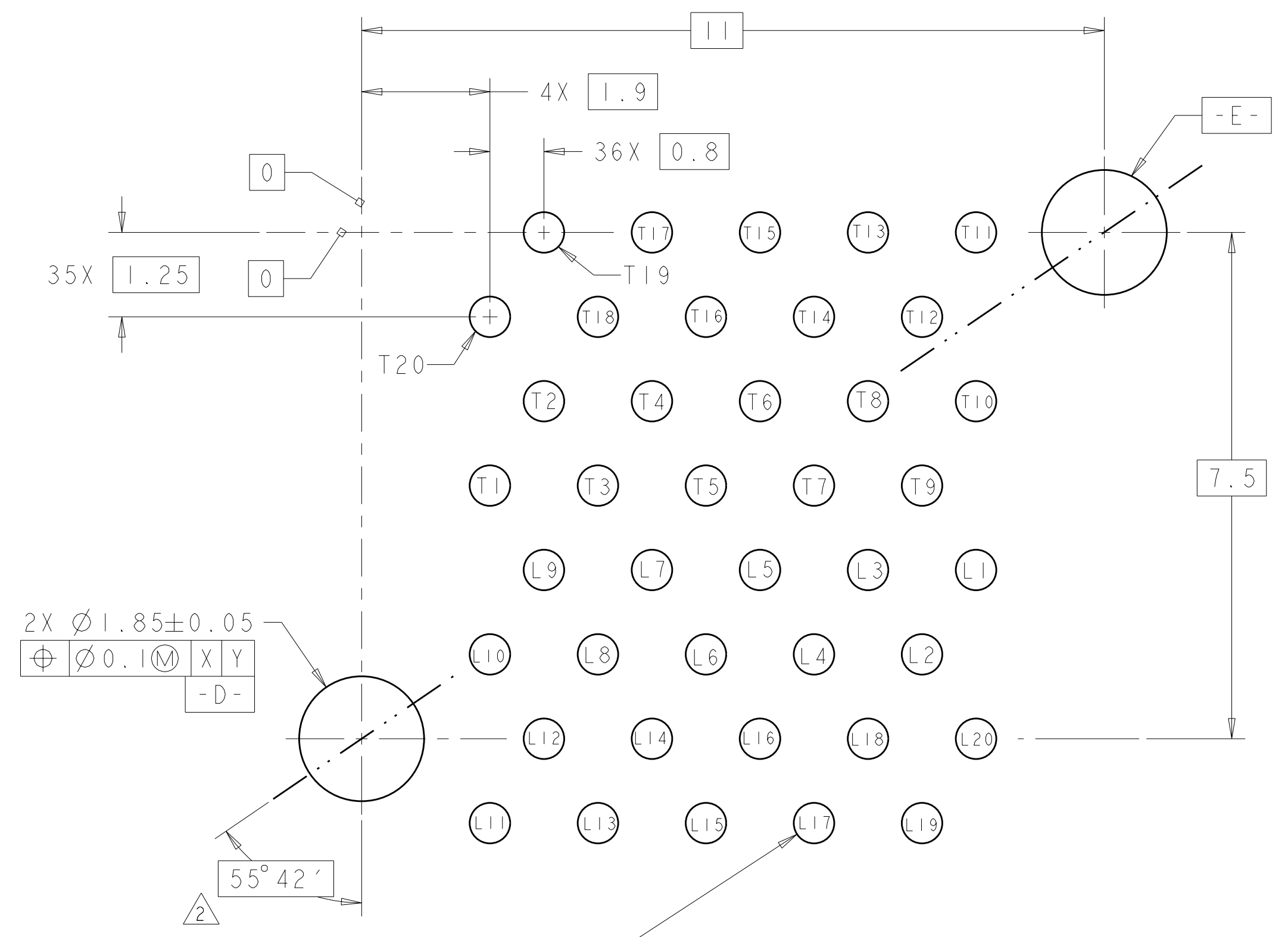
THIS DRAWING IS A CONTROLLED DOCUMENT.		OWN: M. COWHER 24MAR03	TE Connectivity
DIMENSIONS: mm		CHK: J. KOPPENHEFFER 23JAN04	
TOLERANCES UNLESS OTHERWISE SPECIFIED:		APVD: M. WALMSLEY 23JAN03	NAME: PT CONNECTOR AND CAGE ASSEMBLY, 2x4, PRESS FIT, STANDARD PROFILE, SFP
0 PLC ±	1 PLC ±0.1	PRODUCT SPEC: 108-2161	SIZE: CAGE CODE DRAWING NO: A100779C=1658390
2 PLC ±	3 PLC ±	APPLICATION SPEC: 114-13103	RESTRICTED TO: -
4 PLC ±	ANGLES ±	WEIGHT: -	SCALE: 4:1 SHEET 1 OF 3 REV: D1
MATERIAL: -	FINISH: -	CUSTOMER DRAWING	

LOC	DIST	REV	DATE	BY	APPD
ES	00				
DESCRIPTION			DATE	BY	APPD
SEE SHEET 1					



THE HOLE SIZE IS RECOMMENDED ON THE PAGE 4 (BOTTOM OF FIGURE2 FOR CAGE ASSEMBLY) OF THE TE DOCUMENT 114-13103
 $\varnothing 0.10 \text{ (M)} | Z \text{ (S)}$
 54 HOLES

RECOMMENDED PCB CONFIGURATION
 SCALE 5:1

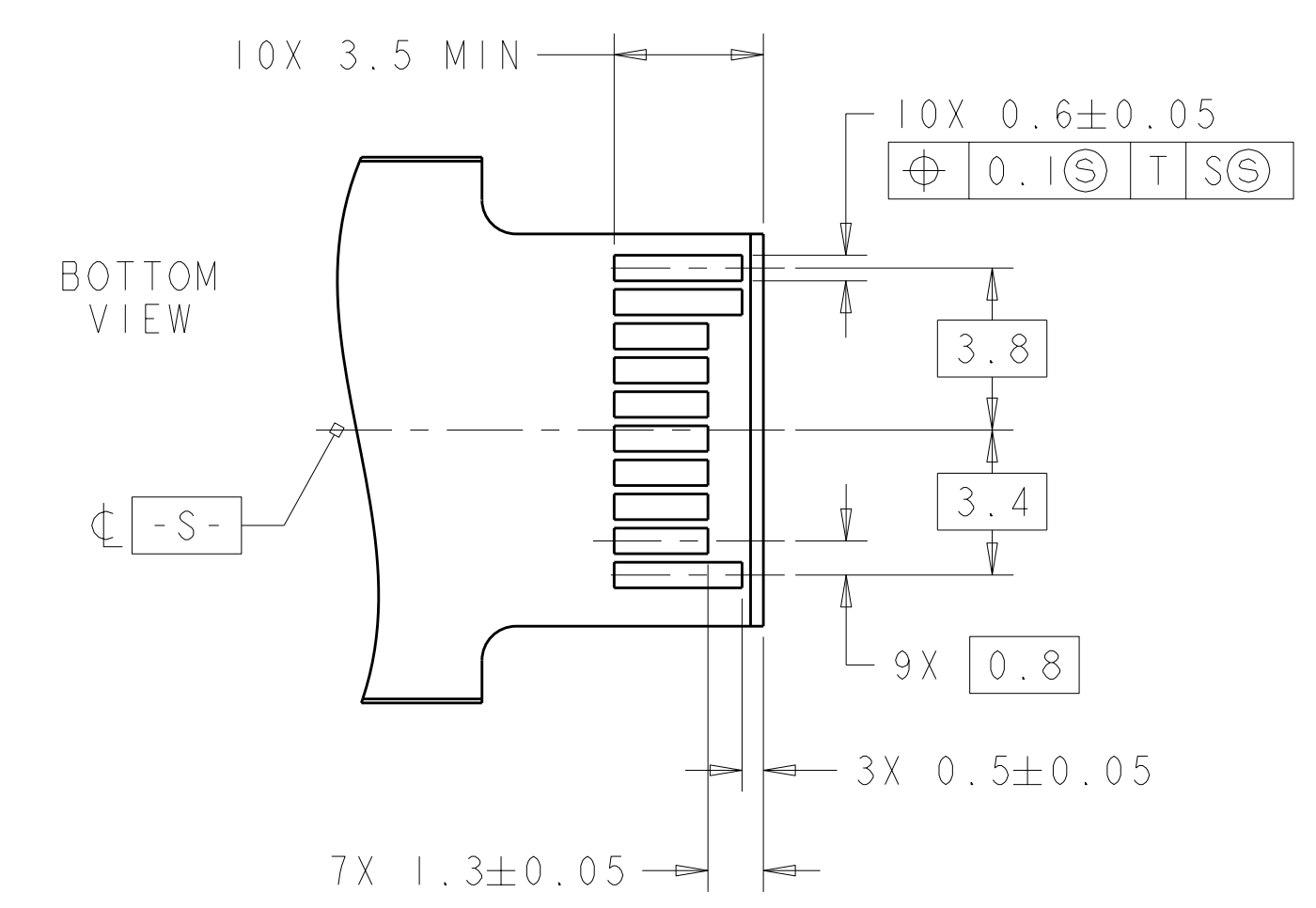
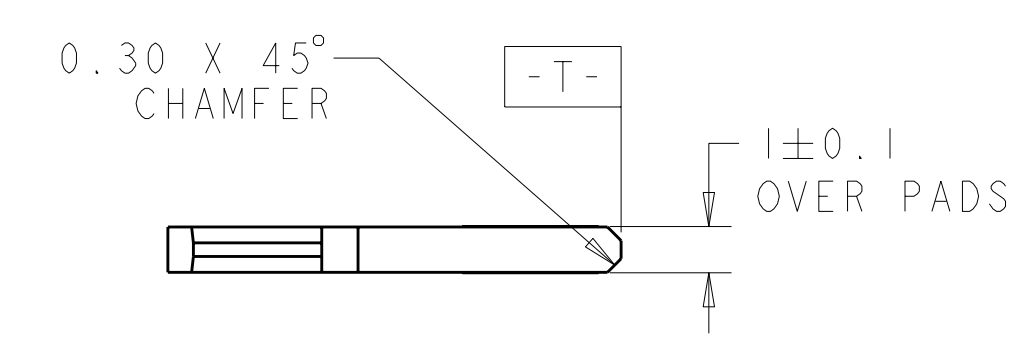
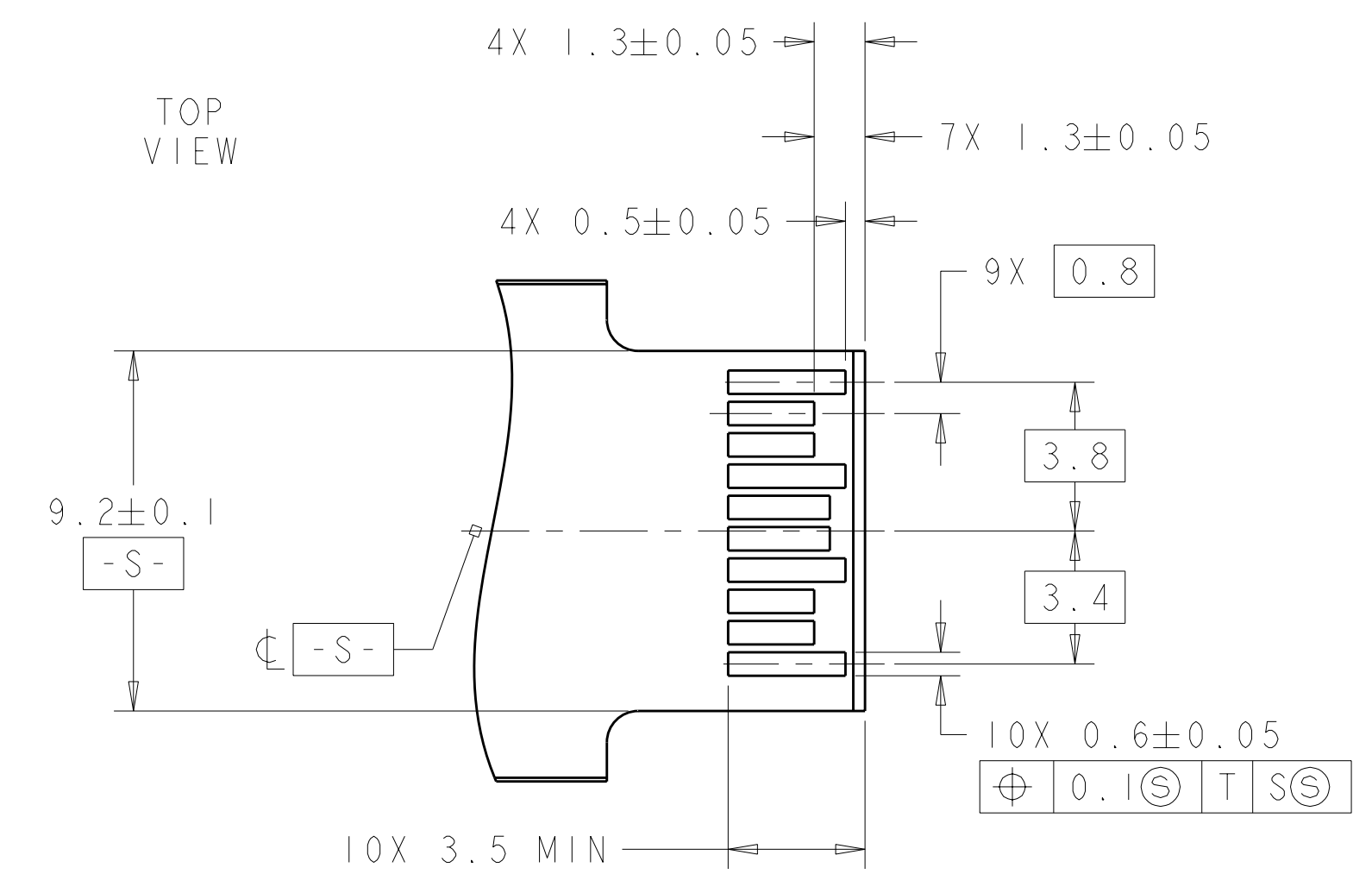


THE HOLE SIZE IS RECOMMENDED ON THE PAGE 4 (TOP OF FIGURE2 FOR CONNECTOR) OF THE TE DOCUMENT 114-13103
 $\varnothing 0.08 \text{ (M)} | D \text{ (S)} | E \text{ (S)}$
 40X4 HOLES


DETAIL A
 SCALE 15:1

THIS DRAWING IS A CONTROLLED DOCUMENT.		OWN: M. COWHER 24MAR03	TE Connectivity
DIMENSIONS: mm		CHK: J. KOPPENHEFFER 23JAN04	
TOLERANCES UNLESS OTHERWISE SPECIFIED:		APVD: M. WALMSLEY 23JAN03	NAME: PT CONNECTOR AND CAGE ASSEMBLY, 2x4, PRESS FIT, STANDARD PROFILE, SFP
0 PLC ± 1 PLC ± 2 PLC ±0.1 3 PLC ± 4 PLC ± ANGLES ±		PRODUCT SPEC: 108-2161	
MATERIAL:		APPLICATION SPEC: 114-13103	SIZE: A100779
FINISH:		WEIGHT:	CAGE CODE: C=1658390
		CUSTOMER DRAWING	RESTRICTED TO: -
		SCALE: 4:1	SHEET: 2 OF 3
			REV: D1

LOC	DIST	REVISIONS			
ES	00	REV	DATE	BY	APPD
		-	SEE SHEET 1	-	-



RECOMMENDED LAYOUT FOR
 MATING TRANSCEIVER PCB
 SCALE 6:1

THIS DRAWING IS A CONTROLLED DOCUMENT.		DWN M. COWHER	24MAR03	 TE Connectivity
DIMENSIONS: mm		CHK J. KOPPENHEFFER	23JAN04	
TOLERANCES UNLESS OTHERWISE SPECIFIED:		APVD M. WALMSLEY	23JAN03	NAME PT CONNECTOR AND CAGE ASSEMBLY, 2x4, PRESS FIT, STANDARD PROFILE, SFP
9 PLC ± 2 PLC ±0.1 3 PLC ± 4 PLC ± ANGLES ±		PRODUCT SPEC 108-2161	APPLICATION SPEC 114-13103	
MATERIAL	FINISH	WEIGHT	114-13103	SIZE CAGE CODE DRAWING NO A100779C-1658390
CUSTOMER DRAWING		SCALE 1:1	SHEET 3 OF 3	REV D1