

5

4

3

2

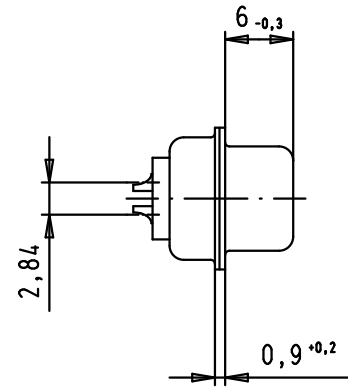
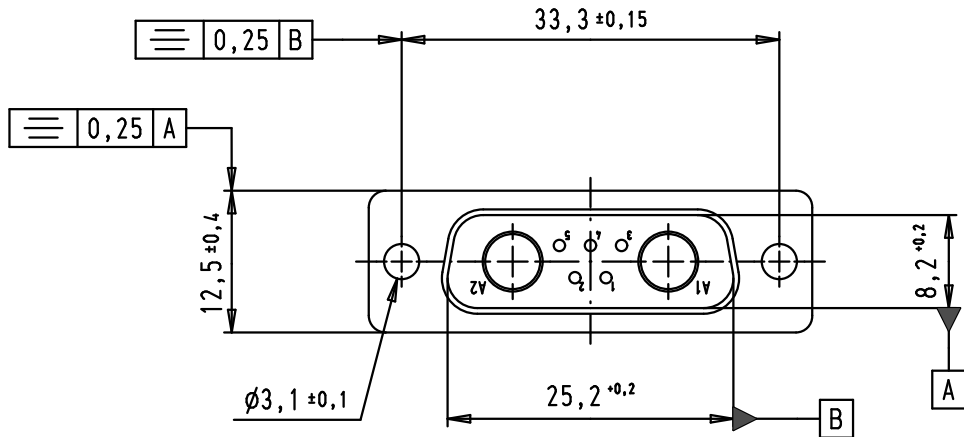
1

D

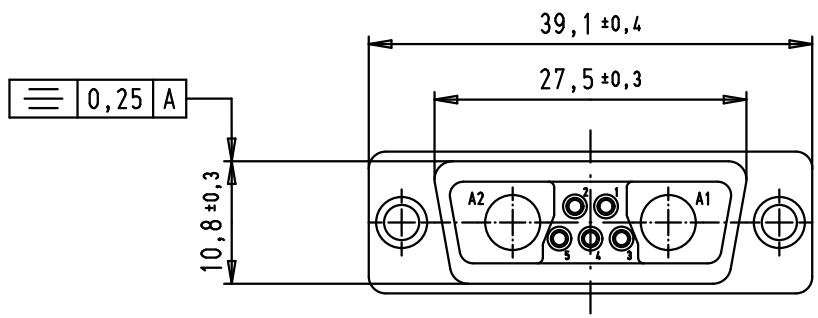
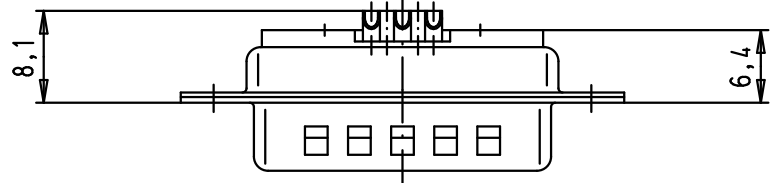
C

B

A



Solder bucket termination for AWG 20



09 69 211 7072	PL3
09 69 211 5072	S4
Part number	Performance level

34614	21/09/07	PK			
Mod.	Dot.	Name			

	Det.	Name
Detail.	21/09/07	PK
Insp.		
Stand.		
HARTING EURL F-95972 Paris		



D-Sub, 7W2, male, straight, solder buckets, tin plated shell with dimples
TB 09 69 211 X072
Sub.

Maßstab/ Scale
1,5:1
Blatt/ Page
1/1