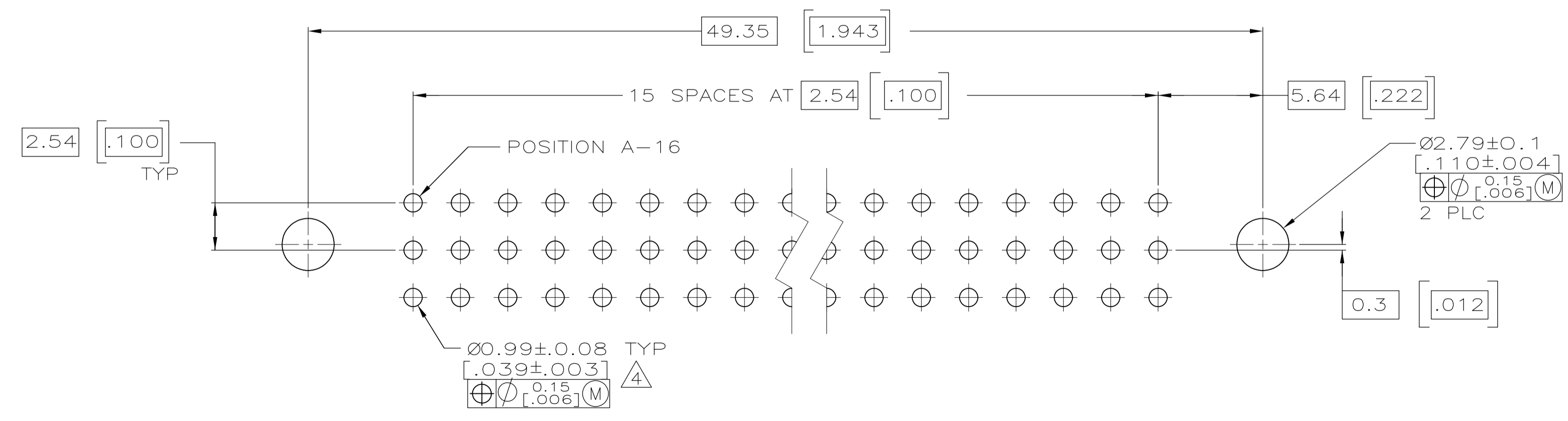
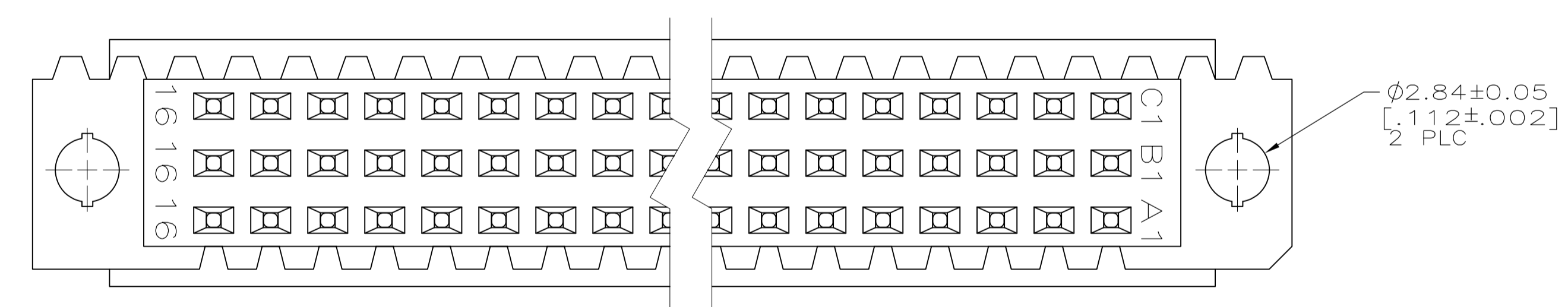
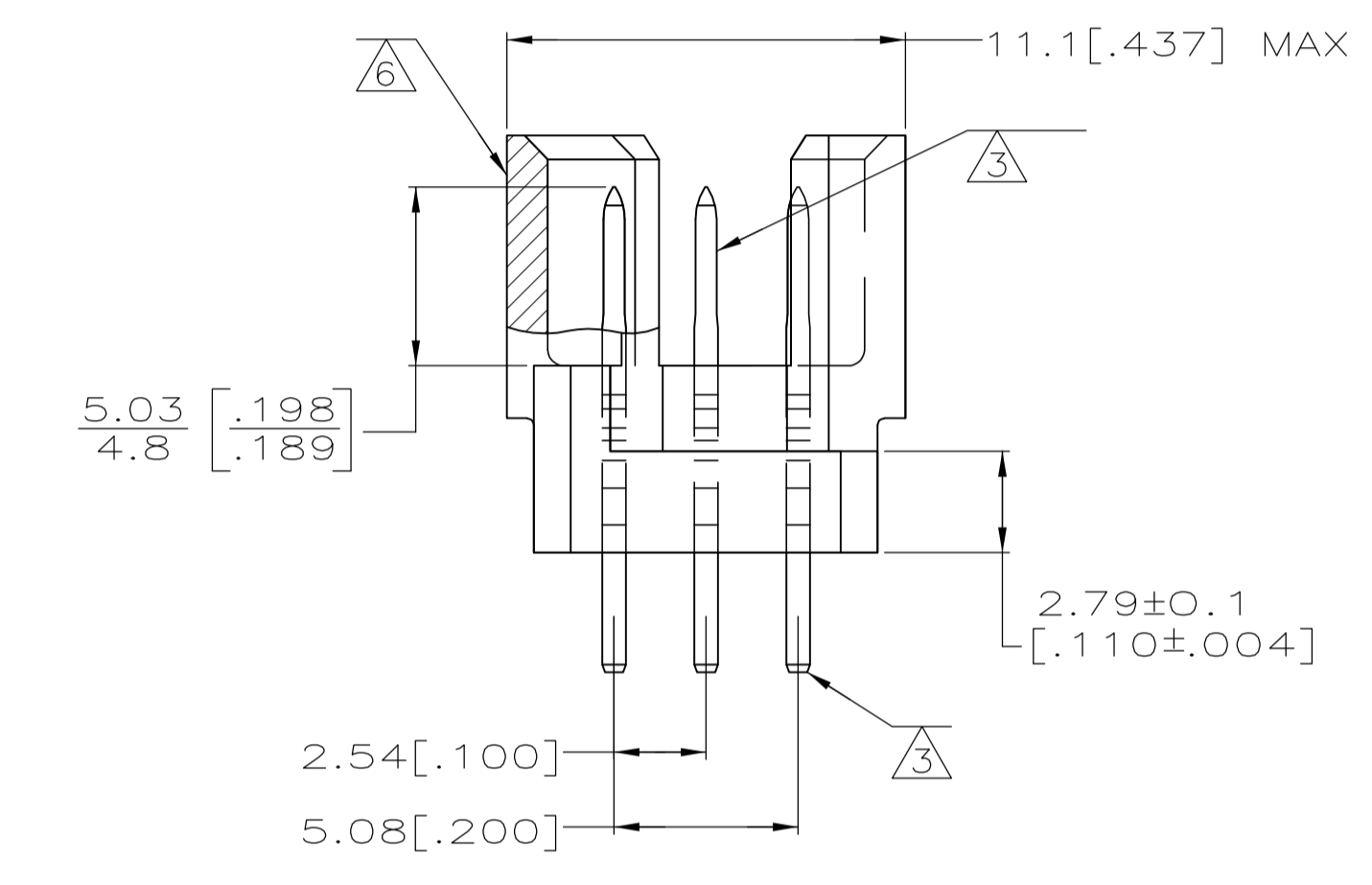
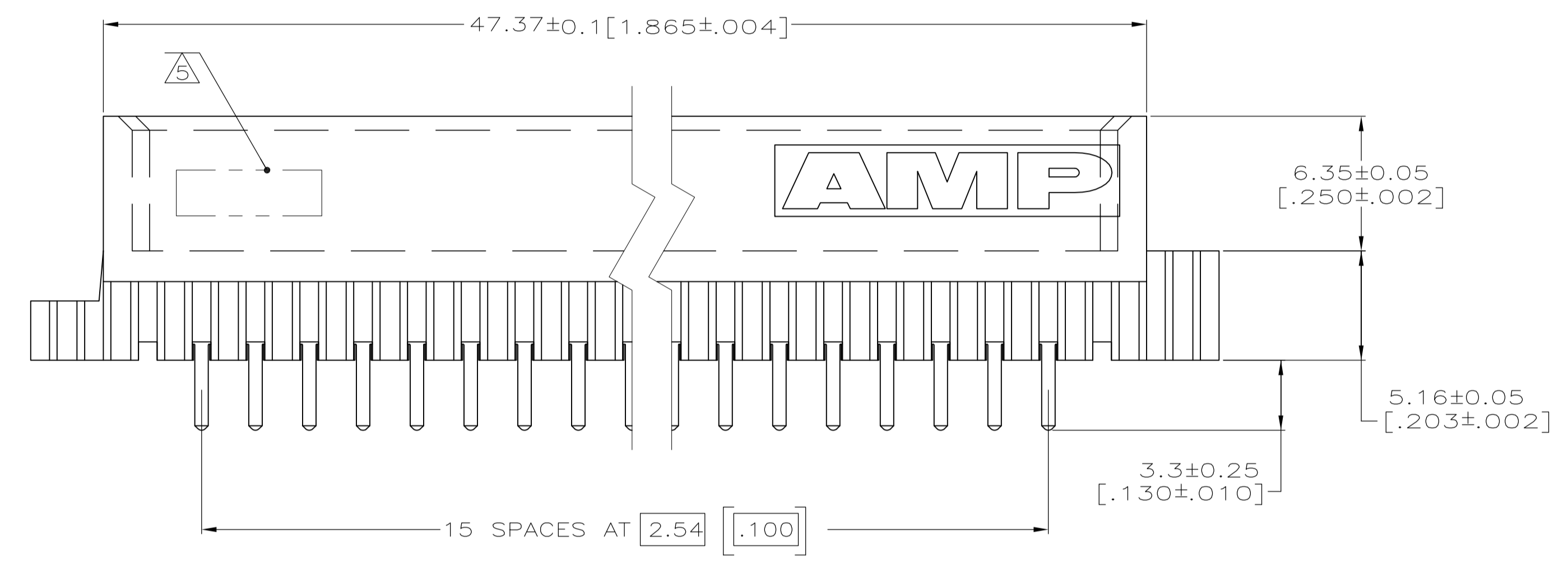


- ① HOUSING MATERIAL: GLASS-FILLED POLYMER. COLOR: GRAY.
- ② POST MATERIAL: COPPER ALLOY.
- ③ POST FINISH: DIN 41612 CLASS 2 IN CONTACT AREA. TIN PLATE ON POSTS.
- ④ RECOMMENDED HOLE SIZE FOR MANUAL APPLICATION OF CONNECTOR ONTO PC BOARD.
- ⑤ PART NUMBER, DATE CODE MARKED THIS APPROXIMATE AREA.
- ⑥ MARKING ON THIS SIDE.



PC BOARD LAYOUT

③	1-16	X	X	X	48	5650479-5
NOTES	POSITIONS LOADED	C	B	A	NO. OF LOADED POSITION	ASSY PART NUMBER
		ROWS LOADED				

THIS DRAWING IS A CONTROLLED DOCUMENT.

DIMENSIONS: mm [INCHES]	TOLERANCES UNLESS OTHERWISE SPECIFIED:	DIN J. POLIGNONE 18APROS	APVD A. SHARPE 18APROS	NAME
0 PLC ± -	1 PLC ± -	2 PLC ± -	3 PLC ± 0.15(.005)	4 PLC ± -
ANGLES ± -				
MATERIAL	FINISH	WEIGHT	SIZE	CAGE CODE
			A1	00779
			DRAWING NO	5650479
			RESTRICTED TO	
			CUSTOMER DRAWING	SCALE 5:1 SHEET 1 OF 1 REV P

STE TE Connectivity

ASSEMBLY, PIN, EUROCARD, TYPE R/2
 48, .130 SOLDER POST