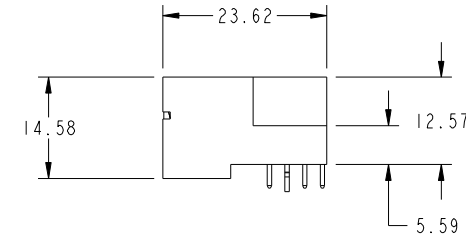
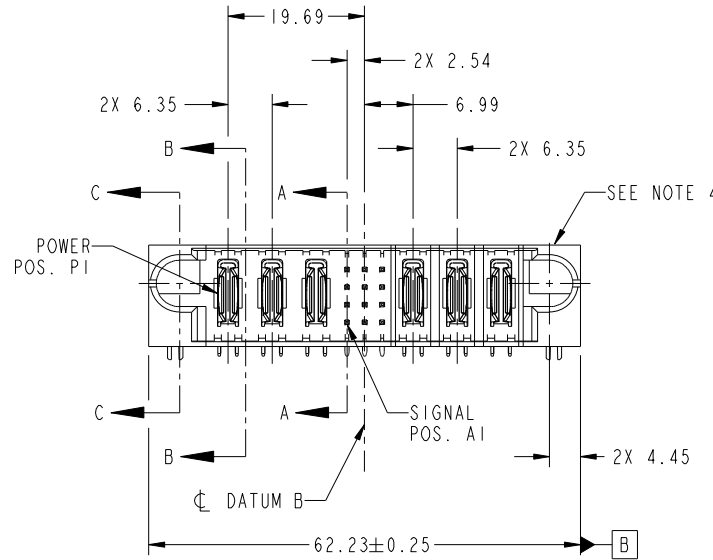


Tous droits strictement réservés. Reproduction ou communication a des tiers interdite sous quelque forme que ce soit sans autorisation écrite du propriétaire. Propriété de c FCI. Droits de reproduction FCI.



All rights strictly reserved. Reproduction or issue to third parties in any form whatever is not permitted without written authority from the proprietor. Property of FCI. Copyright FCI.

PRODUCT NO.	ROWS	POWER			SIGNAL			POWER				
		E1	P1	P2	P3	1	2	3	P4	P5	P6	E2
51730-184... NOTE 3	D C B A											



CODE	DIM "M" MATING LENGTH	CONTACT TYPE
U	[6.86]	SIGNAL
T	[6.86]	SIGNAL
S	[6.86]	SIGNAL
R	[6.86]	SIGNAL
PA	[N/A]	POWER
HA	[N/A]	HOLD-DOWN
H	[5.59]	SIGNAL

mat'l code				SEE NOTE		tolerances unless otherwise specified		CUSTOMER		 www.fciconnect.com	
ltr	ecn no.	dr	date	linear	0.X ±0.5	projection		COPY		title	
A	DG10-0384	PB	11/10/10	angles	0.XX ±0.25					3P + 12S + 3P RIGHT ANGLE SOLDER HEADER	
				dr	0.XXX ±0.1			product family		PwrBlade	code
				enrg	0° ±2°	scale		size	dwg no	213	
				chr	PM ZHENG 10/12/10	1:1		A	51730-184	sheet	
				appd	JOSEPH HSIA 10/12/10					1 of 4	
sheet index	revision sheet	A	A	A	A						
		1	2	3	4						

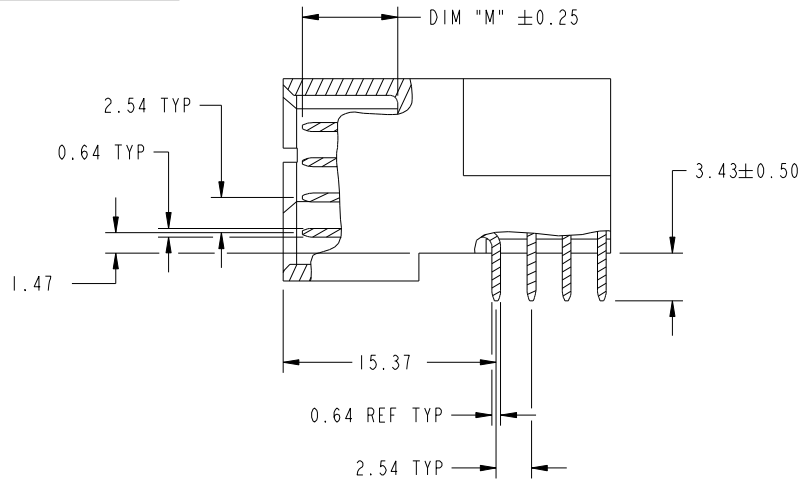
cage code 22526

Tous droits strictement reserves. Reproduction ou communication a des tiers interdite sous quelque forme que ce soit sans autorisation écrite du propriétaire. Propriete de c FCI. Droits de reproduction FCI.

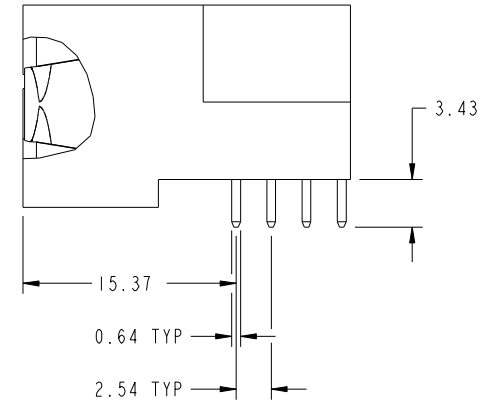
All rights strictly reserved. Reproduction or issue to third parties in any form whatever is not permitted without written authority from the proprietor. Property of FCI. Copyright FCI.



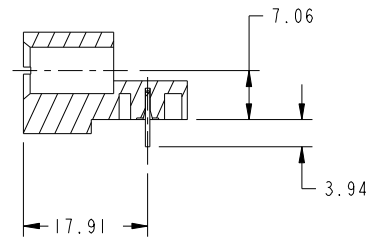
PRODUCT NUMBER
51730-184__
NOTE: 3



BROKEN-OUT SECTION A-A
SCALE 2:1



BROKEN-OUT SECTION B-B
SCALE 2:1



SECTION C-C

mat'l code				SEE NOTE		tolerances unless otherwise specified		CUSTOMER		 www.fciconnect.com	
ltr	ecn no.	dr	date	linear	0.X ±0.5		COPY		title 3P + 12S + 3P RIGHT ANGLE SOLDER HEADER		
A					0.XX ±0.25		projection				
					angles	0.XXX ±0.1		 MIM		product family PwrBlade code 213	
						dr	PB Fu	10/12/10	scale 1:1		size A
				enr	PB Fu	11/09/10	dwg no		51730-184		
				chr	PM ZHENG	10/12/10	sheet		2 of 4		
				appd	JOSEPH HSIA	10/12/10	sheet		2 of 4		
sheet index		revision sheet									

cage code 22526

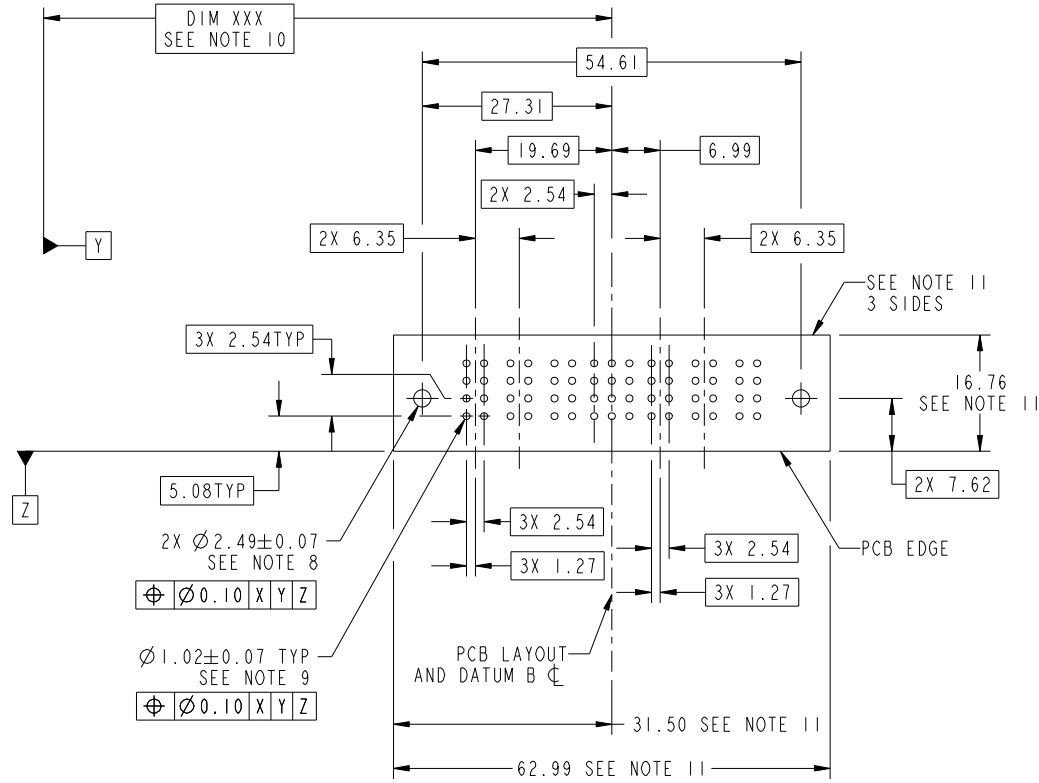
Pro/E

Tous droits strictement reserves. Reproduction ou communication a des tiers interdite sous quelque forme que ce soit sans autorisation écrite du propriétaire. Propriete de c FCI. Droits de reproduction FCI.



All rights strictly reserved. Reproduction or issue to third parties in any form whatever is not permitted without written authority from the proprietor. Property of FCI. Copyright FCI.

PRODUCT NUMBER
51730-184__
NOTE: 3



RECOMMENDED PCB LAYOUT

mat'l code		SEE NOTE		tolerances unless otherwise specified		CUSTOMER		FCI	
ltr	ecn no.	dr	date	linear	0.X ±0.5	COPY		www.fciconnect.com	
A					0.XX ±0.25	projection		title	
				angles	0.XXX ±0.1			3P + 12S + 3P RIGHT ANGLE SOLDER HEADER	
				dr	PB Fu 10/12/10			product family PwrBlade code 213	
				enr	PB Fu 11/09/10	scale		size dwg no 213	
				chr	PM ZHENG 10/12/10	1:1		sheet 3 of 4	
				appd	JOSEPH HSIA 10/12/10			A 51730-184	
sheet index	revision sheet								

cage code 22526

Pro/E

Tous droits strictement réservés. Reproduction ou communication a des tiers interdite sous quelque forme que ce soit sans autorisation écrite du propriétaire. Propriete de c FCI. Droits de reproduction FCI.



All rights strictly reserved. Reproduction or issue to third parties in any form whatever is not permitted without written authority from the proprietor. Property of FCI. Copyright FCI.

PRODUCT NUMBER
51730-184--
NOTE: 3

NOTES:

1. DIMENSIONS AND TOLERANCES ARE IN ACCORDANCE WITH ASME Y14.5M, 1994 UNLESS OTHERWISE SPECIFIED.

CONNECTOR NOTES:

- 2. HOUSING MATERIAL: UL 94 V-0 GLASS FILLED HIGH-TEMP THERMOPLASTIC
POWER CONTACT MATERIAL: COPPER ALLOY
SIGNAL PIN MATERIAL: COPPER ALLOY
- 3. SEE ITEM 1 & 2 IN PRINT 10064183 FOR PLATING SPEC OF 51730-184 AND 51730-184LF RESPECTIVELY.
- 4. MANUFACTURER'S NAME, DATE CODE AND OPTIONAL P/N TO APPEAR ON THIS SURFACE. THE P/N CAN BE OMITTED IF THERE IS NOT ENOUGH SPACE ON THIS SURFACE.
- 5. PRODUCT SPECIFICATION GS-12-149.
APPLICATION SPECIFICATION BUS-20-067.
- 6. PACKAGED IN TRAYS.

PCB NOTES:

- 7. ALL HOLE DIAMETERS ARE FINISHED HOLE SIZE.
- 8. MOUNTING HOLES, WHERE APPLICABLE, ARE UNPLATED.
- 9. $\varnothing 1.151 \pm 0.025$ DRILLED HOLES PLATED WITH
0.008 MIN SnPb OR Sn OVER 0.03
TO 0.08 Cu PLATING TO ACHIEVE
 $\varnothing 1.02 \pm 0.07$ HOLE.
- 10. "DIM XXX" TO BE DETERMINED BY THE CUSTOMER.
- 11. CONNECTOR KEEP-OUT ZONE.

mat'l code		SEE NOTE		tolerances unless otherwise specified		CUSTOMER		FCI		www.fciconnect.com	
ltr	ecn no.	dr	date	linear	0.X ± 0.5	COPY		projection	title		
A					0.XX ± 0.25	MIM			3P + 12S + 3P		
				angles	0.XXX ± 0.1	←			RIGHT ANGLE SOLDER HEADER		
				dr	PB Fu 10/12/10	scale		product family	PwrBlade	code	213
				enrg	PB Fu 11/09/10	1:1		size	dwg no	sheet	4 of 4
				chr	PM ZHENG 10/12/10	A		51730-184			
				appd	JOSEPH HSIA 10/12/10						
sheet index	revision sheet										

cage code 22526

Pro/E