

- NOTES:
- THIS SHEET SHOWS THE CONDUIT WITH A FEMALE CONNECTOR INTERFACE AND ALL PORTS NC28 MALE.
 - MATERIAL: POLYAMIDE 66 (PA66), 0% GLASS FILL, COLOUR BLACK.
 - CONNECTOR INTERFACE;
93481-0AAB - FEMALE
93481-5AAB - MALE
 - MATES WITH NC AND NW FORMAT CONDUIT, FEMALE INTERFACE MATES WITH FEMALE CONNECTOR SERIES; SEE TABLE 2, SHEET 3.
 - FOR DIMENSIONS SPECIFIED E, F AND H, PLEASE REFER TO TABLE 1, SHEET 1.
 - APPLICATION SPECIFICATION: 850830010 PSA.
 - FLEXIBLE MOULDED LANYARD BETWEEN PART HALVES, MAY BE REMOVED.
 - CONDUIT INTERFACE SHOULD ONLY BE USED WITH APPROPRIATE CONDUIT. MOLEX CANNOT BE HELD RESPONSIBLE IF CABLES ARE DAMAGED DUE TO IMPROPER USE OF CONDUIT INTERFACE, OR IF A CONDUIT INTERFACE IS USED WITHOUT THE CONDUIT.
 - CONDUIT INTERFACE IS IP3X WHEN USED WITH A FULLY ASSEMBLED SRC CONNECTOR AND APPROPRIATE CONDUIT.
 - POST FEATURES FOR REINFORCEMENT AFTER CONNECTOR MOUNTING. AVOID INADVERTENTLY POSITIONING FEMALE CONNECTORS BETWEEN POSTS AND MOULDED WALL.
 - PACKAGING SPECIFICATION: 934811000 PSK.

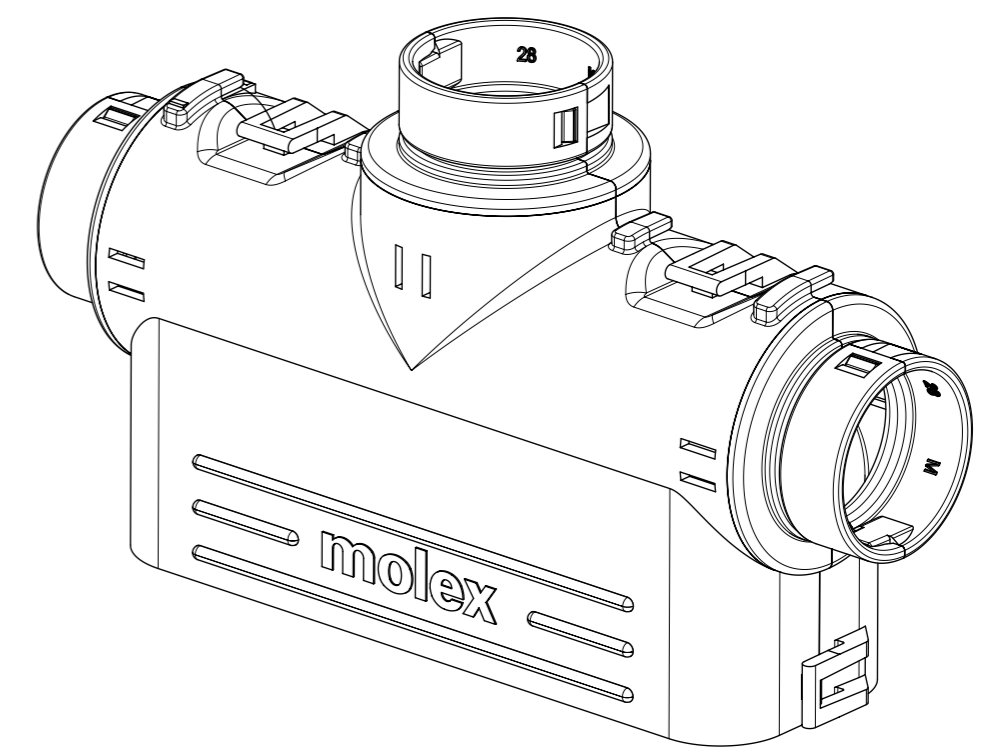
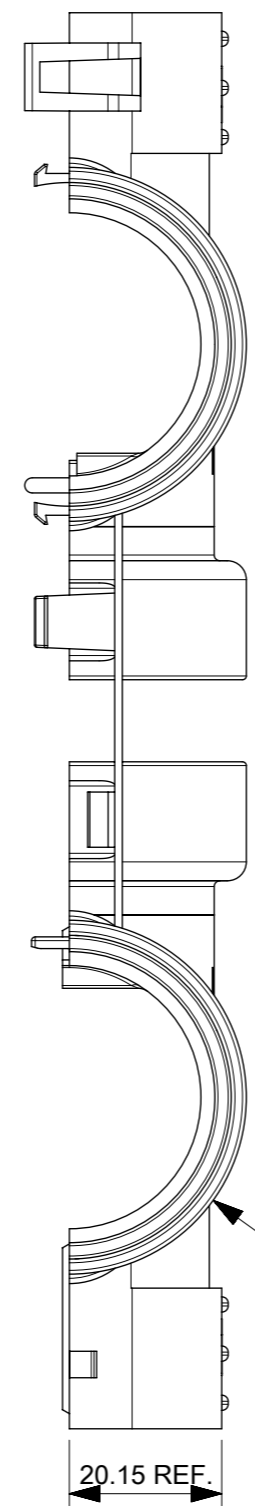
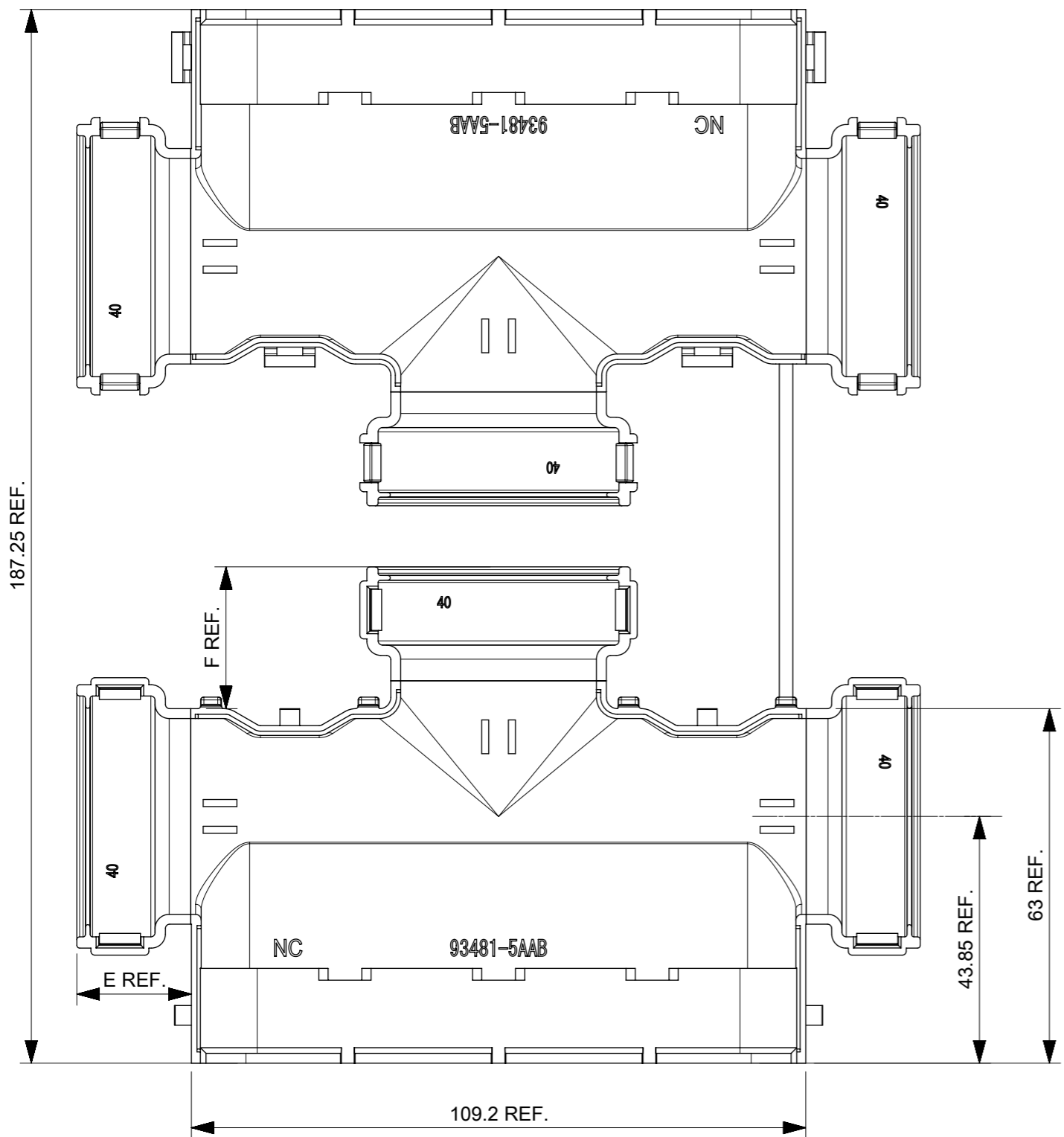


TABLE 1
ALL DIMENSIONS GIVEN IN MILLIMETRES

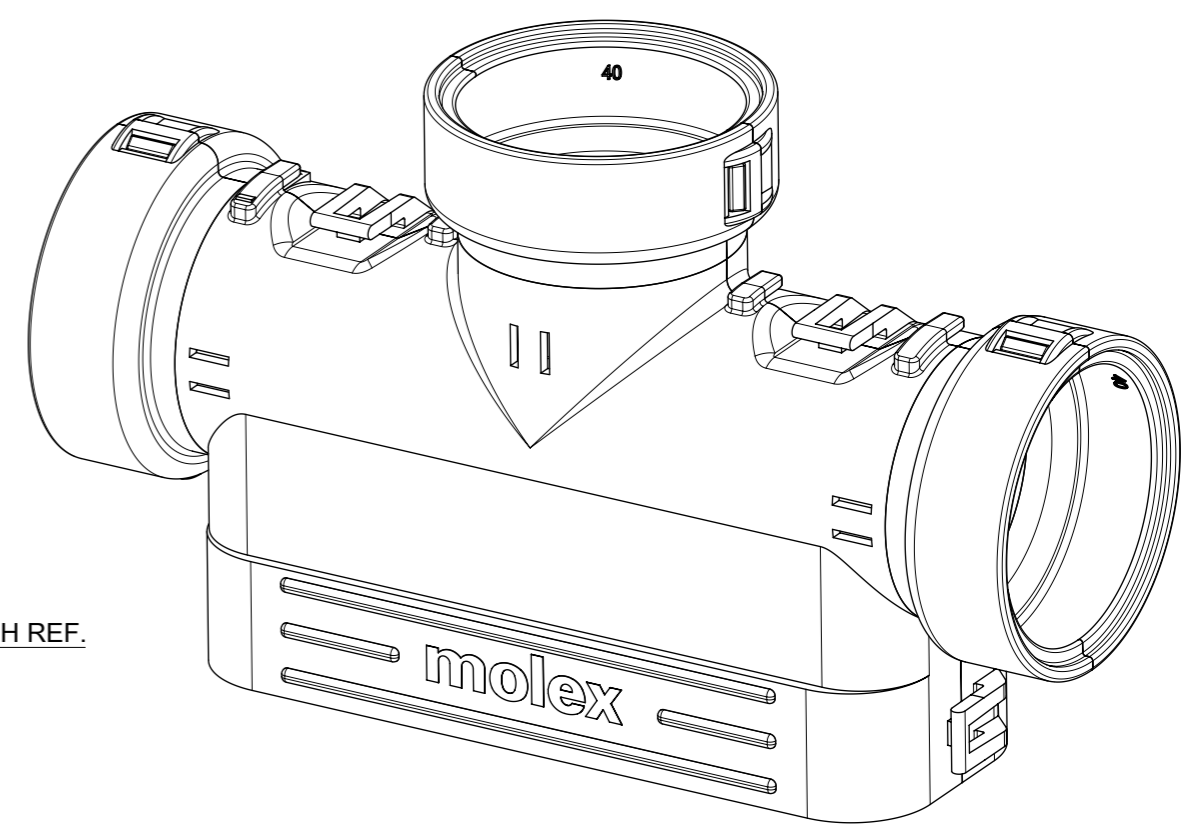
	NC28 MALE	NC28 FEMALE	NC32 FEMALE	NC40 FEMALE
E	14.7	14.6	14.6	20.35
F	19.5	19.45	19.45	25.2
H	28.2	32.1	38.3	46.8

THIS DRAWING CONTAINS INFORMATION THAT IS PROPRIETARY TO MOLEX ELECTRONIC TECHNOLOGIES, LLC AND SHOULD NOT BE USED WITHOUT WRITTEN PERMISSION

QUALITY SYMBOLS A = 0 E = 0 F = 0 G = 0 H = 0 I = 0 J = 0 K = 0 L = 0 M = 0 N = 0 O = 0 P = 0 Q = 0 R = 0 S = 0 T = 0 U = 0 V = 0 W = 0 X = 0 Y = 0 Z = 0	MINOR UPDATES EC NO: 170414 DRWN: SOBRIEN01 CHK'D: JDWALLACE APPR: JDWALLACE	GENERAL TOLERANCES (UNLESS SPECIFIED) ANGULAR TOL ± 2.0 ° 4 PLACES ± 3 PLACES ± 2 PLACES ± 1 PLACE ± 0 PLACES ± DRAFT WHERE APPLICABLE MUST REMAIN WITHIN DIMENSIONS	DIMENSION UNITS	SCALE	
			mm	1:1	
			DRWN BY	DATE	
			AJOBRIEN	2015/04/23	
CHK'D BY	DATE	PRODUCT CUSTOMER DRAWING			
SMCGREEVY	2015/06/04				
APPR BY	DATE	SERIES	MATERIAL NUMBER	CUSTOMER	
JALEXANDER	2015/06/08	93481	SEE SHEET 3	GENERAL MARKET	
DRAWING SIZE	THIRD ANGLE PROJECTION	DOCUMENT NUMBER			
A3		934811000	DOC TYPE	DOC PART	SHEET NUMBER
			PSD	000	1 OF 3



- NOTES:
1. MALE CONNECTOR INTERFACE AND ALL PORTS NC40 FEMALE SHOWN ON THIS SHEET.
 2. MALE INTERFACE MATES WITH MALE CONNECTOR SERIES: SEE TABLE 2, SHEET 3.
 3. FOR DIMENSIONS E, F AND H, REFER TO TABLE 1, SHEET 1.



LANYARD NOT SHOWN IN MATED VIEW

THIS DRAWING CONTAINS INFORMATION THAT IS PROPRIETARY TO MOLEX ELECTRONIC TECHNOLOGIES, LLC AND SHOULD NOT BE USED WITHOUT WRITTEN PERMISSION									
QUALITY SYMBOLS ▽A = 0 ▽E = 0 ▽F = 0 ▽ = 0 ▽C = 0 ▽X = 0 ▽ = 0 ▽ = 0	MINOR UPDATES EC NO: 170414 DRWN: SOBRIEN01 CHK'D: JDWALLACE APPR: JDWALLACE	GENERAL TOLERANCES (UNLESS SPECIFIED) ANGULAR TOL ± 2.0 °		DIMENSION UNITS mm	SCALE 1:2				
		4 PLACES ±	DRWN BY AJOBRIEN	DATE 2015/04/23	SRC CONDUIT COVER				
		3 PLACES ±	CHK'D BY SMCGREEVY	DATE 2015/06/04			PRODUCT CUSTOMER DRAWING		
		2 PLACES ±	APPR BY JALEXANDER	DATE 2015/06/08	SERIES 93481	MATERIAL NUMBER SEE SHEET 3			CUSTOMER GENERAL MARKET
		1 PLACE ±	DRAWING SIZE A3	THIRD ANGLE PROJECTION 	DOCUMENT NUMBER 934811000		DOC TYPE PSD	DOC PART 000	SHEET NUMBER 2 OF 3
		0 PLACES ±	DRAFT WHERE APPLICABLE MUST REMAIN WITHIN DIMENSIONS						

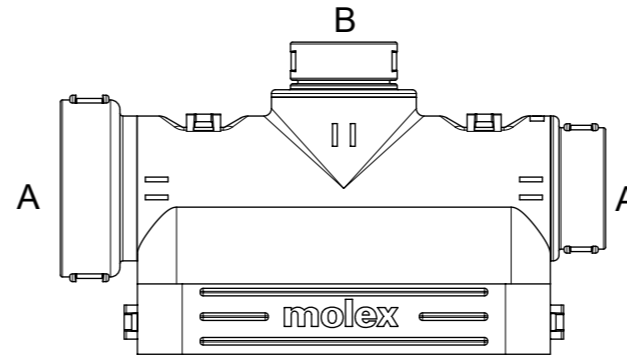
X	INTERFACE TYPE
5	MALE
0	FEMALE

SRC INTERFACE (X)
(SEE NOTES)

B
0
1
2
3
4

CENTRE OUTLET (B)

A OR B	OUTLET
0	BLANK
1	NC28 MALE
2	NC28 FEMALE
3	NC 32 FEMALE
4	NC40 FEMALE

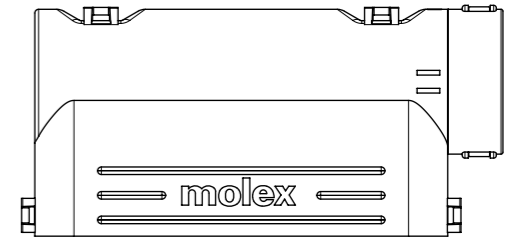


A	A
0	0
0	1
0	2
0	3
0	4
1	1
1	2
1	3
1	4
2	2
2	3
2	4
3	3
3	4
4	4

SIDE OUTLETS
(A-A)

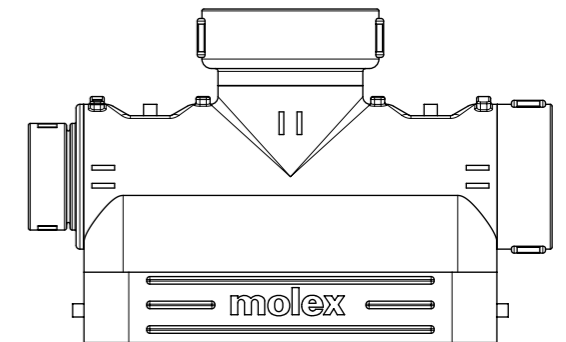
93481-XAAB

EXAMPLE 1



93481-0030
SRC INTERFACE: FEMALE = 0
SIDE EXIT: BLANK AND NC32 FEMALE = 03
CENTRE EXIT: BLANK = 0

EXAMPLE 2



93481-5134
SRC INTERFACE: MALE = 5
SIDE EXIT: NC28 MALE AND NC32 FEMALE = 13
CENTRE EXIT: NC40 = 4

NOTES:

1. ALL OTHER NOTES AND DIMENSIONS SEE SHEET 1 & 2.
2. TABLE 2 SPECIFIES THE SRC FAMILIES THAT ARE COMPATIBLE WITH EACH OPTION OF MALE OR FEMALE INTERFACES.
3. CONDUIT COVERS MAY BE ASSEMBLED IN EITHER DIRECTION, ROTATED 180° AROUND THE CENTRE OUTLET AXIS. FOR EXAMPLE, PART NUMBER 93481-0200 IS THE SAME AS PART NUMBER 93481-0020

TABLE 2

MALE	FEMALE
85071	85070
93288	93287
85083	85084
93792	

OUTLET SIZE FORMAT
CONVERSION CHART

NC	NW
28	23
32	29
40	36

THIS DRAWING CONTAINS INFORMATION THAT IS PROPRIETARY TO MOLEX ELECTRONIC TECHNOLOGIES, LLC AND SHOULD NOT BE USED WITHOUT WRITTEN PERMISSION											
QUALITY SYMBOLS ▽A = 0 ▽E = 0 ▽F = 0 ▽ = 0 ▽C = 0 ⊗ = 0 ■ = 0 ▽ = 0	MINOR UPDATES EC NO: 170414 DRWN: SOBRIEN01 CHK'D: JDWALLACE REV APPR: JDWALLACE	GENERAL TOLERANCES (UNLESS SPECIFIED)		DIMENSION UNITS	SCALE	 SRC CONDUIT COVER PRODUCT CUSTOMER DRAWING SERIES: 93481 MATERIAL NUMBER: SEE SHEET 3 CUSTOMER: GENERAL MARKET DOCUMENT NUMBER: 934811000 DOC TYPE: PSD DOC PART: 000 SHEET NUMBER: 3 OF 3					
		ANGULAR TOL ± 2.0 °		mm	2:1						
		4 PLACES ±	DRWN BY	DATE							
		3 PLACES ±	AJOBRIEN	2015/04/23							
		2 PLACES ±	CHK'D BY	DATE							
		1 PLACE ±	SMCGREEVY	2015/06/04							
		0 PLACES ±	APPR BY	DATE							
		DRAFT WHERE APPLICABLE MUST REMAIN WITHIN DIMENSIONS	JALEXANDER	2015/06/08							
			DRAWING SIZE	THIRD ANGLE PROJECTION							
			A3								