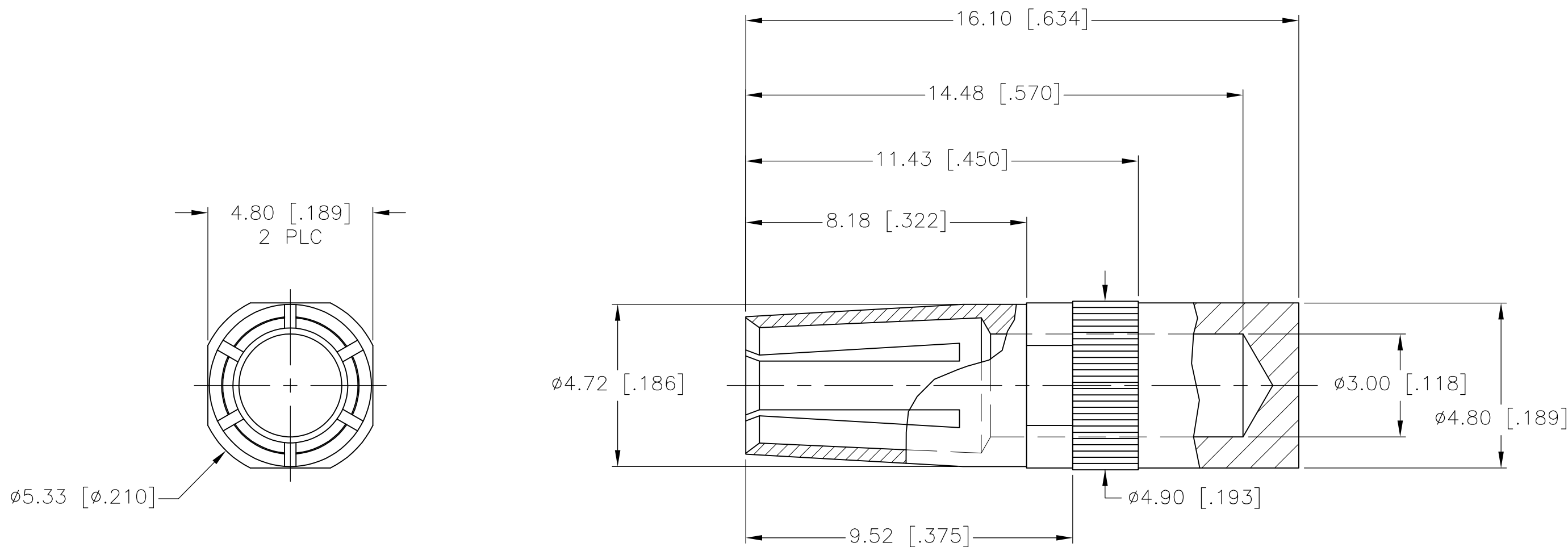


THIS DRAWING IS UNPUBLISHED. RELEASED FOR PUBLICATION  
 © COPYRIGHT BY TYCO ELECTRONICS CORPORATION. ALL RIGHTS RESERVED.

LOC	DIST	REVISIONS			
P	LTR	DESCRIPTION	DATE	DWN	APVD
AD	00	A	REV PER EC 0S12-0450-04	13JAN05	BC RP
		A1	REVISED PER ECO-09-023313	12OCT09	KK AEG



1 CONTACT: BERYLLIUM COPPER

2 OBSOLETE PARTS: OBSOLETE CIS STREAMLINING PER D.RENAUD/D.SINISI

2	OBSOLETE	1.27µm [.000050] MIN GOLD	1	<del>148375-2</del>
		0.76µm [.000030] MIN GOLD	1	148375-1
		FINISH	MATERIAL	PART NUMBER

DIMENSIONS:		TOLERANCES UNLESS OTHERWISE SPECIFIED:		DWN		Tyco Electronics		Tyco Electronics Corporation	
mm				L. BRINER 3/3/97		Harrisburg, Pa 17105-3608			
		0 PLC ± - 1 PLC ± - 2 PLC ± 0.13 [.005] 3 PLC ± - 4 PLC ± - ANGLES ± -		CHK R. PATTERSON 3/3/97 APVD R. PATTERSON 3/3/97		NAME POWER CONTACT, FEMALE BOARD MOUNT, SOLDER			
MATERIAL		FINISH		PRODUCT SPEC		APPLICATION SPEC		RESTRICTED TO	
1		SEE TABLE		-		-		-	
CUSTOMER DRAWING				WEIGHT		SIZE		CAGE CODE	
				-		A3		00779	
						DRAWING NO		G-148375	
						SCALE		SHEET	
						4:1		1 OF 1	
								REV	
								A1	