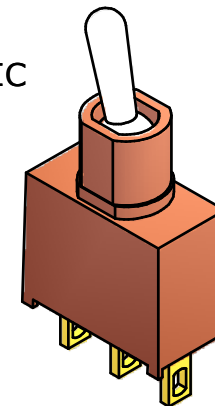
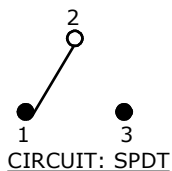


ISOMETRIC



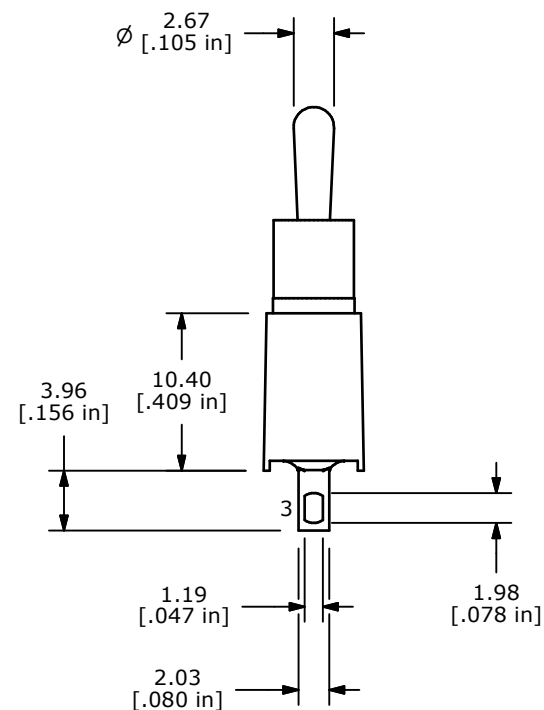
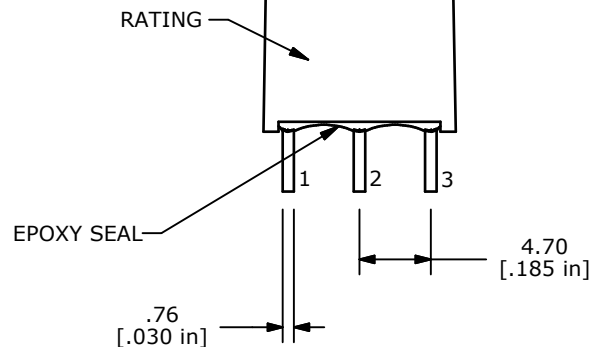
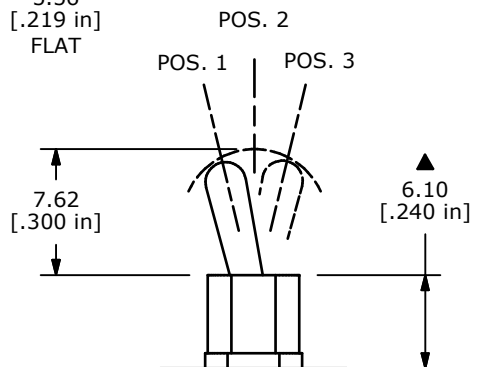
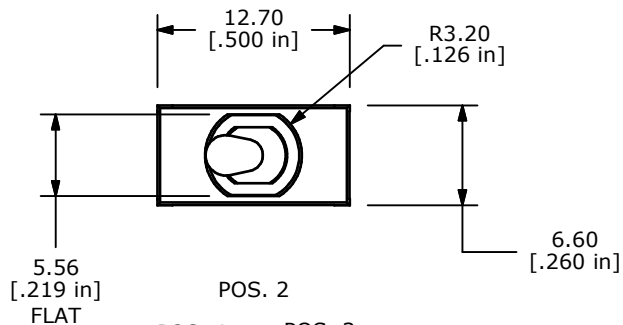
| SWITCH FUNCTION | | |
|-----------------|--------|--------|
| POS. 1 | POS. 2 | POS. 3 |
| | | |
| (ON) | OFF | (ON) |
| 2-3 | OPEN | 2-1 |

(ON) = MOMENTARY



NOTES:

1. ALL DIMENSIONS IN MM [INCH]
2. GENERAL TOLERANCE: X.X=±0.4
X.XX=±0.25
3. TERMINAL NUMBERS FOR REF ONLY
- ▲ 4. PLATING MATERIAL: SILVER
- ▲ 5. RATING: 5A @ 120 VAC (or 28 VDC)
2 @ 250 VAC
6. CONTACT RESISTANCE: 10 MILLI-OHM MAX.
- 7 LIFE EXPECTANCY: 30,000 MAKE-AND-BREAK
CYCLES AT FULL LOAD.
- 8 INSULATION RESISTANCE: 1,000 MEGA-OHM MIN.
- 9 DIELECTRIC STRENGTH: 1,000 V RMS @SEA LEVEL.
10. PERATING TEMP.: -30°C to 85°C
- 11 ▲ DENOTES CRITICAL PARAMETER.
12. 2002/95/EC (ROHS) COMPLIANT.



TITLE 100AWSP4T2B4M1QE

| | | | | |
|-----|--------|-------------------------|---------|-----|
| A | 18583 | RELEASED FOR PRODUCTION | 7/21/09 | BLR |
| REV | PCR NO | DESCRIPTION | DATE | BY |

THE INFORMATION CONTAINED IN THIS DOCUMENT IS PROPRIETARY TO E-SWITCH AND IS NOT TO BE COPIED OR TRANSFERRED

| | | | | |
|-------|-----------|-----|---------|-----|
| SCALE | DATE | DR | DWG | REV |
| 2:1 | 7/21/2009 | BLR | T104013 | A |