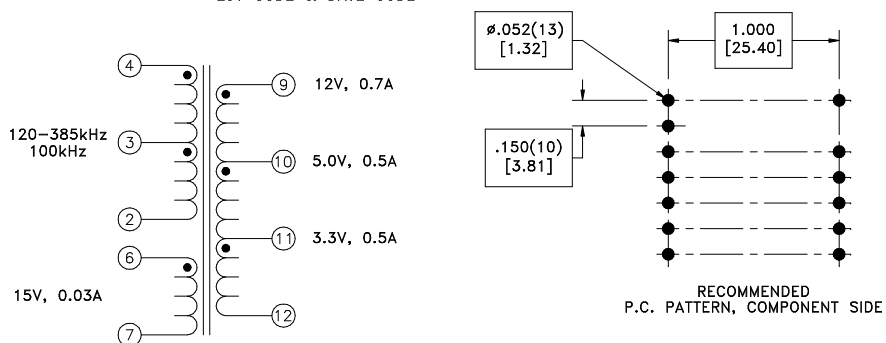
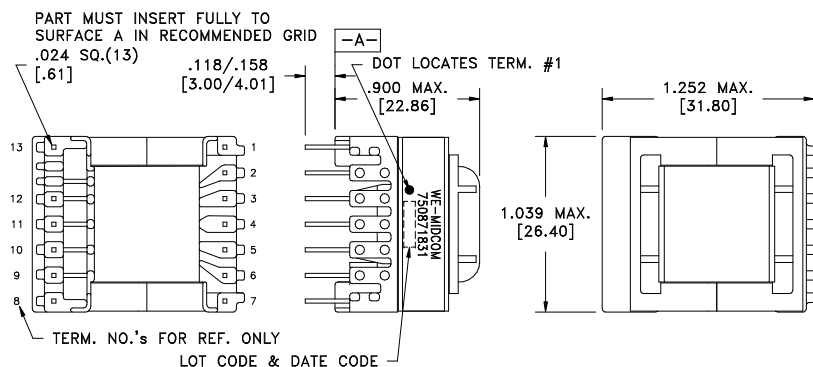


CUSTOMER TERMINAL	RoHS	LEAD(Pb)-FREE
Sn96%, Ag4%	Yes	Yes



ELECTRICAL SPECIFICATIONS @ 25°C unless otherwise noted:

PARAMETER	TEST CONDITIONS	VALUE
D.C. RESISTANCE	4-2 @20°C	0.32 ohms max.
D.C. RESISTANCE	6-7 @20°C	0.32 ohms max.
D.C. RESISTANCE	9-10 @20°C	0.03 ohms max.
D.C. RESISTANCE	10-11 @20°C	0.03 ohms max.
D.C. RESISTANCE	11-12 @20°C	0.03 ohms max.
INDUCTANCE	4-2 10kHz, 100mVAC, Ls	900uH ±10%
LEAKAGE INDUCTANCE	4-2 tie(6+7+9+10+11+12), 10kHz, 100mVAC, Ls	18.0uH max.
DIELECTRIC	2-12 tie(4+6), 450VAC, 1 second	3750VAC, 1 minute
DIELECTRIC	4-6 1800VAC, 1 second	1500VAC, 1 minute
URNS RATIO	(4-2):(6-7)	6.75:1, ±2%
URNS RATIO	(4-2):(9-10)	13.5:1, ±2%
URNS RATIO	(4-2):(10-11)	54:1, ±2%
URNS RATIO	(4-2):(11-12)	27:1, ±2%



REV.	DATE
6A	2/10

Packaging Specifications
Method: Tray
PKG-0504
www.midcom-inc.com

Tolerances unless otherwise specified:
Angles: ±1° Decimals: ±.005 [.13]
Fractions: ±1/64 Footprint: ±.001 [.03]
This drawing is dual dimensioned. Dimensions in brackets are in millimeters.

DRAWING TITLE
TRANSFORMER
eiSos p/n: 750871831

Midcom WE
www.midcom-inc.com

DRAWING NO.
750871831
REVISIONS: SEE SHEET 1 SCALE --- SHEET 2 OF 5