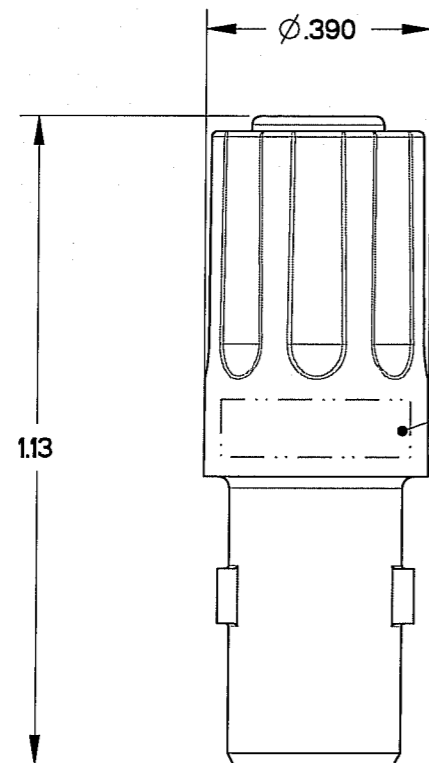
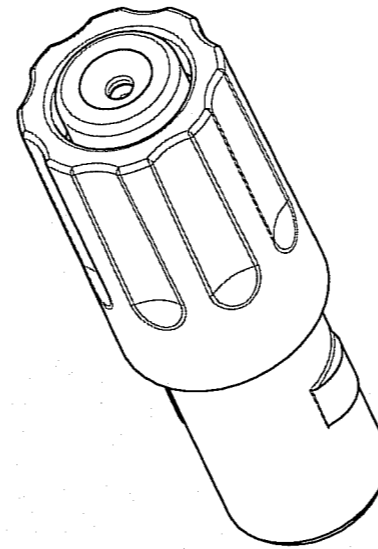
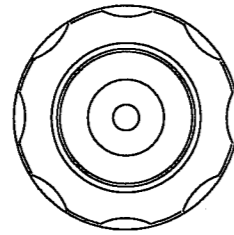


REV	ECN	DESCRIPTION	APP'D
-	5791		J. TON
A	6109	NOTE CHANGE	<i>[Signature]</i> 8/29/07



PART MARKING AS FOLLOWS:

APCD YYWW  
SJS7161XX

DATE  
CODE

SEE TABLE 1 FOR FULL PART NUMBERS

NOTES:

- MATERIALS:  
HOUSING: PA 6/6  
CONTACT RETAINER: STAINLESS STEEL  
GROMMET: SILICONE RUBBER PER A-A-59588
- OPERATING RANGE:  
TEMPERATURE: -65 °C TO 160 °C  
INSULATION RESISTANCE: 5000 MEGOHMS MINIMUM  
DIELECTRIC WITHSTANDING VOLTAGE: 1500 VRMS SEA LEVEL  
600 VRMS @45,000 FT. ALTITUDE
- CURRENT RATING: 13 AMPS  
VIBRATION: PER EIA-364-D METHOD 28  
ALTITUDE IMMERSION: EIA-364-D METHOD 3 @ 55,000 FT  
( FORMERLY MIL-STD-1344 METHOD 1004 )
- ACCEPTS (1) M39029/56-352 SOCKET CONTACT (NOT INCLUDED)
- CONTACT RETENTION - MUST LOCK 25 LBS RET.
- LOCKING FEATURE - NO BREAK 25 LBS
- MATES WITH SJS716200

TABLE 1 - PART# SCHEME	
APCD PART#	COLOR
SJS716100	BLUE
SJS716110	RED

<b>DIMENSIONS</b> ANSI Y14.5M UNITS: INCHES Pro/E FILE	<b>TOLERANCES</b> .XX ±0.01 .XXX ±0.005 ANGLES ±10°	<b>PROJECTION</b> 	<b>Amphenol Pcd</b> SPECIFICATION DRAWING		<b>TITLE</b> IN-LINE JUNCTION SINGLE WIRE, SIZE 16 PLUG		
			ENGR S. STONE 01/27/06			SIZE B	DWG NO. SJS716100
ORIGINAL 	THIS DOCUMENT CONTAINS PROPRIETARY INFORMATION WHICH IS THE CONFIDENTIAL PROPERTY OF AMPHENOL PCD INC., PEABODY, MA		CHKD <i>[Signature]</i> 8/29/07	APP'D <i>[Signature]</i> 8/29/07	CODE: 58982	SCALE: 3:1	SHEET 1 OF 1