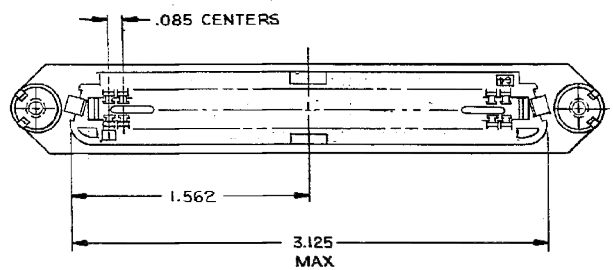
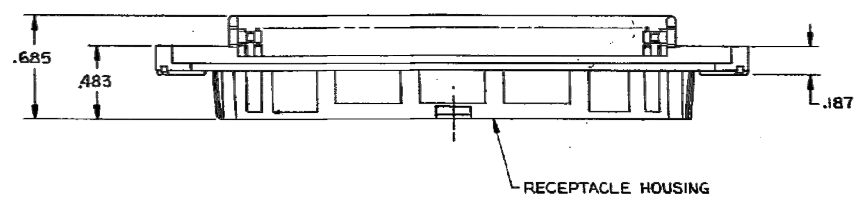
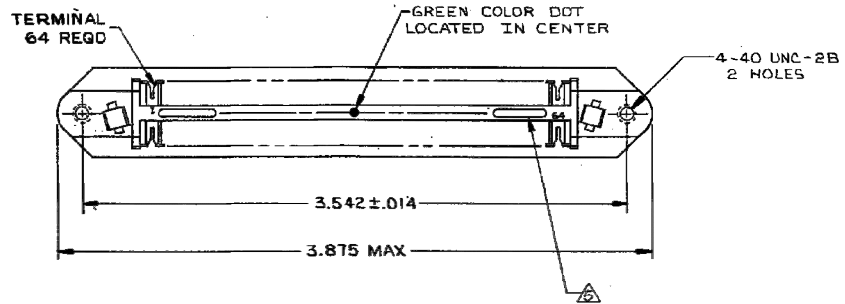


THIS DRAWING IS UNPUBLISHED. RELEASED FOR PUBLICATION
 © COPYRIGHT BY TYCO ELECTRONICS CORPORATION. ALL RIGHTS RESERVED.

| LOC | | DIST | | REVISIONS | | | |
|-----|-----|-------------|---------------------------|-----------|------|-----|--|
| # | LTR | DESCRIPTION | DATE | DWN | APVD | | |
| GP | 00 | H | REVISED PER ECO-08-007327 | 27JAN2009 | ZMR | WLM | |



1. THE CONTACT SURFACES OF THE TERMINALS ARE COATED WITH LUBRICANT.
2. ALL DIMENSIONS SHOWN ARE FOR REFERENCE ONLY UNLESS OTHERWISE SPECIFIED.
3. MATERIAL:
 HOUSING - THERMOPLASTIC (BLACK)
 TERMINALS - HIGH STRENGTH COPPER ALLOY PLATED WITH EITHER .000030 MIN GOLD OR GOLD FLASH OVER PALLADIUM NICKEL .000030 MIN TOTAL, ON CONTACT MATING SURFACE. .000050 MIN NICKEL UNDERPLATE OVER ENTIRE TERMINAL.
4. WIRE SIZE: 22 AWG SOLID OR 22 AWG 7 STRANDS OF COPPER CONDUCTORS. MAX INSULATION DIAMETER OF .045 IS ACCEPTABLE FOR MOST APPLICATIONS.
5. CORING MAY OR MAY NOT APPEAR AND IS AT THE DISCRETION OF TYCO ELECTRONICS.

| | |
|-------------|----------|
| AS SHOWN | 552307-1 |
| DESCRIPTION | PART NO |

| | | | | |
|--|---------------|-------------------------|--|--------------|
| THIS DRAWING IS A CONTROLLED DOCUMENT. | | DWN: C. BOWMAN 2-11-80 | Tyco Electronics Corporation Harrisburg, PA 17105-3608 | |
| DIMENSIONS: INCHES | | CHK: V.E. SLACK 2-12-80 | RCPT ASSY, 64 POSITIONS, C SLOT W/ 4-40 TAPPED HOLES, CHAMP-LOK | |
| TOLERANCES UNLESS OTHERWISE SPECIFIED: | | APVD: B.G. WARD 2-12-80 | RESTRICTED TO | |
| 0 PLC ± .010 | 1 PLC ± .005 | NAME | SIZE | CAGE CODE |
| 2 PLC ± .003 | 3 PLC ± .002 | PRODUCT SPEC | A2 | 00779 |
| 4 PLC ± .001 | ANGLES ± .010 | APPLICATION SPEC | DRAWING NO | 552307 |
| MATERIAL | FINISH | WEIGHT | CUSTOMER DRAWING | |
| | | SCALE | NTS | SHEET 1 OF 1 |

552307