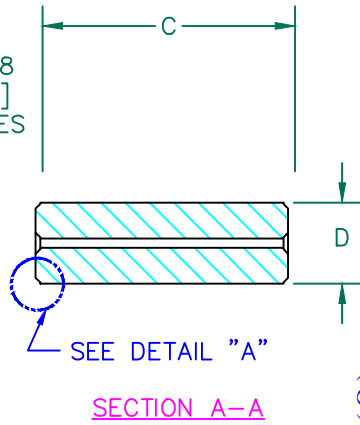
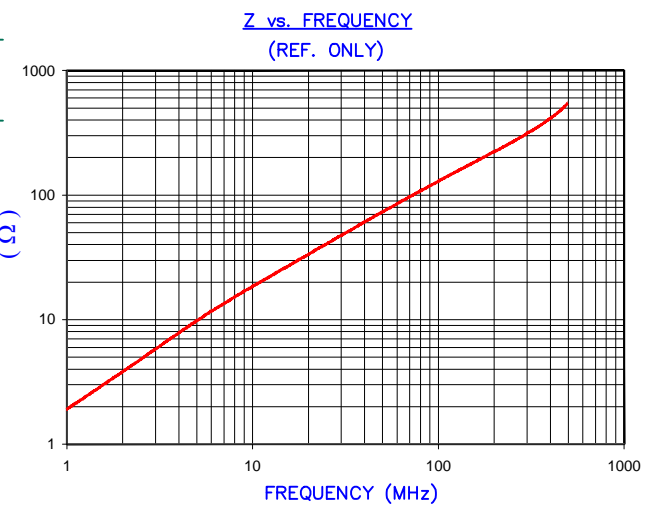


R 2.248
[.0885]
2 PLACES



IMPEDANCE (Z)			
Frequency	25 MHz	100 MHz	300 MHz
Nominal (REF)	44 Ω	140 Ω	310 Ω
Minimum	- Ω	112 Ω	- Ω

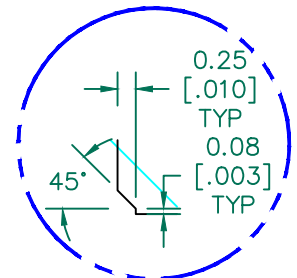


AGILENT E4991A Impedance/Material Analyzer
HP 16092A Test Fixture, REF # 3020

FERRITE CORE DIMENSIONS (SPEC):mm[Inches]

A	37.01 [1.457]	+	0.64 [.025]
B	33.00 [1.299]	+	0.51 [.020]
C	13.46 [.530]	+	0.38 [.015]
D	4.50 [.177]	+	0.38 [.015]
		-	0.13 [.005]
E	0.51 [.020]	+	0.20 [.008]
		-	0.13 [.005]

WEIGHT/1000 9.96 kgs [21.97 Lbs]

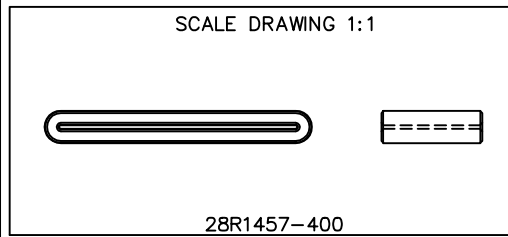


DETAIL A
SCALE: 10:1

UNCONTROLLED DOCUMENT

NOTES: UNLESS OTHERWISE SPECIFIED

1. COSMETIC SPECIFICATION REFER TO WI-QA-038.



DIMENSIONS ARE IN mm[INCHES].			
G	UPDATE COMPANY LOGO	06/19/15	QIU
F	UPDATE MIN Z SPECS & COMPANY LOGO	07/27/07	TMB
E	UPDATE FORMAT AND Z SPECS	02/09/04	JRK
D	CHG CHAMFER ANGLE FROM 30 TO 45 UPDATE FORMAT AND Z SPECS	02/26/03	JRK
C	UPDATE TO CNZ FORMAT UPDATE Z SPECS ADD Z CURVE, CHG C TOLS	09/11/02	JRK
B	UPDATE PRINT FOR ELECTRONIC DATABASE	09/27/95	JBE
A	ORIGINAL DRAFT	10/19/94	JBE
REV	DESCRIPTION	DATE	INT

This print is the property of Laird Tech. and is loaned in confidence subject to return upon request and with the understanding that no copies shall be made without the written consent of Laird Tech. All rights to design or invention are reserved.



PROJECT/PART NUMBER: 28R1457-400		REV G	DRAWN BY: JBE
DATE: 10/19/94	SCALE: 2.5 : 1	MATERIAL: FERRITE	
CAD # 28R1457-400-G	TOOL # R1457		