

THIS SPECIFICATION SHEET FORMS A PART OF THE LATEST ISSUE OF RAYCHEM SPECIFICATION 1200.

CONSTRUCTION DETAILS

ELECTRICAL CHARACTERISTICS

DIMENSIONS ARE NOMINAL VALUES IN INCHES UNLESS OTHERWISE DESIGNATED.

| | |
|--------------------------|-------------------------------|
| CHARACTERISTIC IMPEDANCE | 75 ± 5 ohms, Method B |
| CAPACITANCE | 17.1pF/ft. (nominal) at 1 kHz |
| VELOCITY OF PROPAGATION | 79% (nominal) |

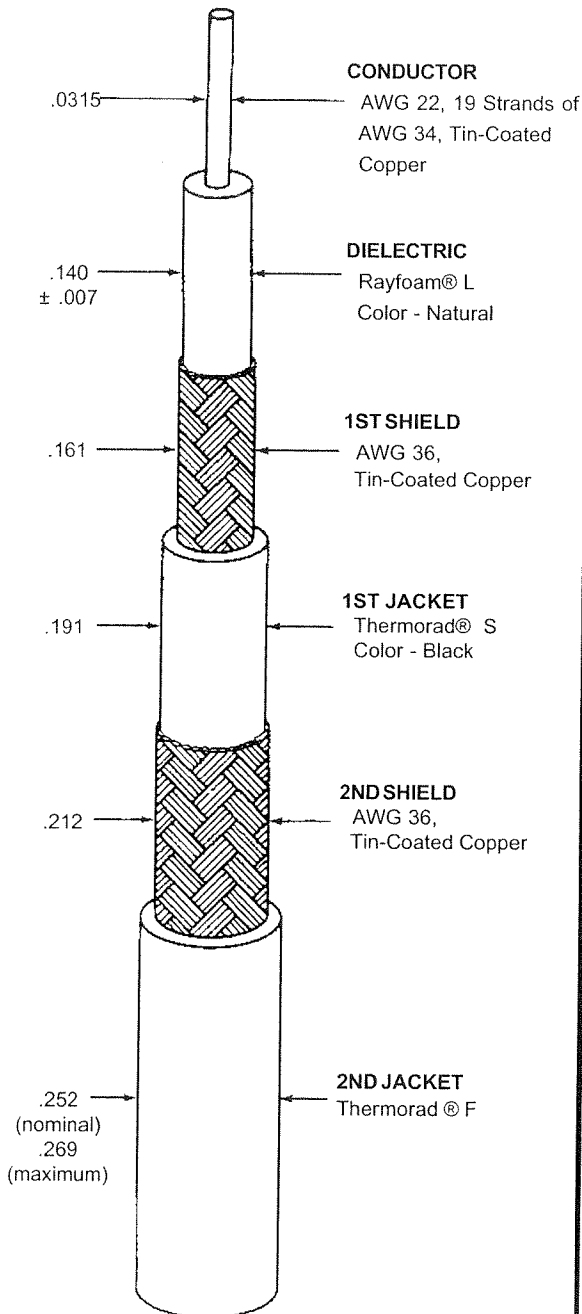
ADDITIONAL REQUIREMENTS

| | |
|---|---------------------------------------|
| ELECTRICAL | |
| CONDUCTOR RESISTANCE | 15.5 ohms/1000 ft. (nominal) |
| INSULATION RESISTANCE (CONDUCTOR TO SHIELD) | 10,000 megohms (minimum) for 1000 ft. |
| JACKET FLAWS | |
| SPARK TEST | 1.0 kV (rms) |
| IMPULSE TEST | 6.0 kV, (peak) |
| VOLTAGE WITHSTAND (DIELECTRIC) | |
| CONDUCTOR TO SHIELD | 1000 volts (rms) (minimum) |
| SHIELD TO SHIELD | 500 volts (rms) (minimum) |

| | |
|--|----------------------------|
| ENVIRONMENTAL | |
| FLAMMABILITY | Method C |
| HEAT SHOCK | 225°C |
| LOW TEMPERATURE- COLD BEND | -55°C/7.00 inch mandrel |
| VOLTAGE WITHSTAND (POST ENVIRONMENTAL) | 1000 volts (rms), 1 minute |

| | |
|-------------------------|------------------------------------|
| PHYSICAL | |
| INSULATION (DIELECTRIC) | |
| ELONGATION | 50% (minimum) |
| TENSILE STRENGTH | 800 lbf/in ² (minimum) |
| 1ST JACKET | |
| ELONGATION | 250% (minimum) |
| TENSILE STRENGTH | 2000 lbf/in ² (minimum) |
| 2ND JACKET | |
| ELONGATION | 100% (minimum) |
| TENSILE STRENGTH | 2000 lbf/in ² (minimum) |
| 1ST JACKET THICKNESS | .015 inch (nominal) |
| 2ND JACKET THICKNESS | .020 inch (nominal) |
| SHIELD COVERAGE (EACH) | 90% (minimum) |

| | |
|--------|-----------------------------|
| WEIGHT | 45.2 lbs/1000 ft. (nominal) |
|--------|-----------------------------|



Outer jacket color will be black (designated by a "-0" appended to the part number, e.g. 7522D5311-0) unless otherwise specified

Designate outer jacket color with a dash number in accordance with MIL-STD-681.