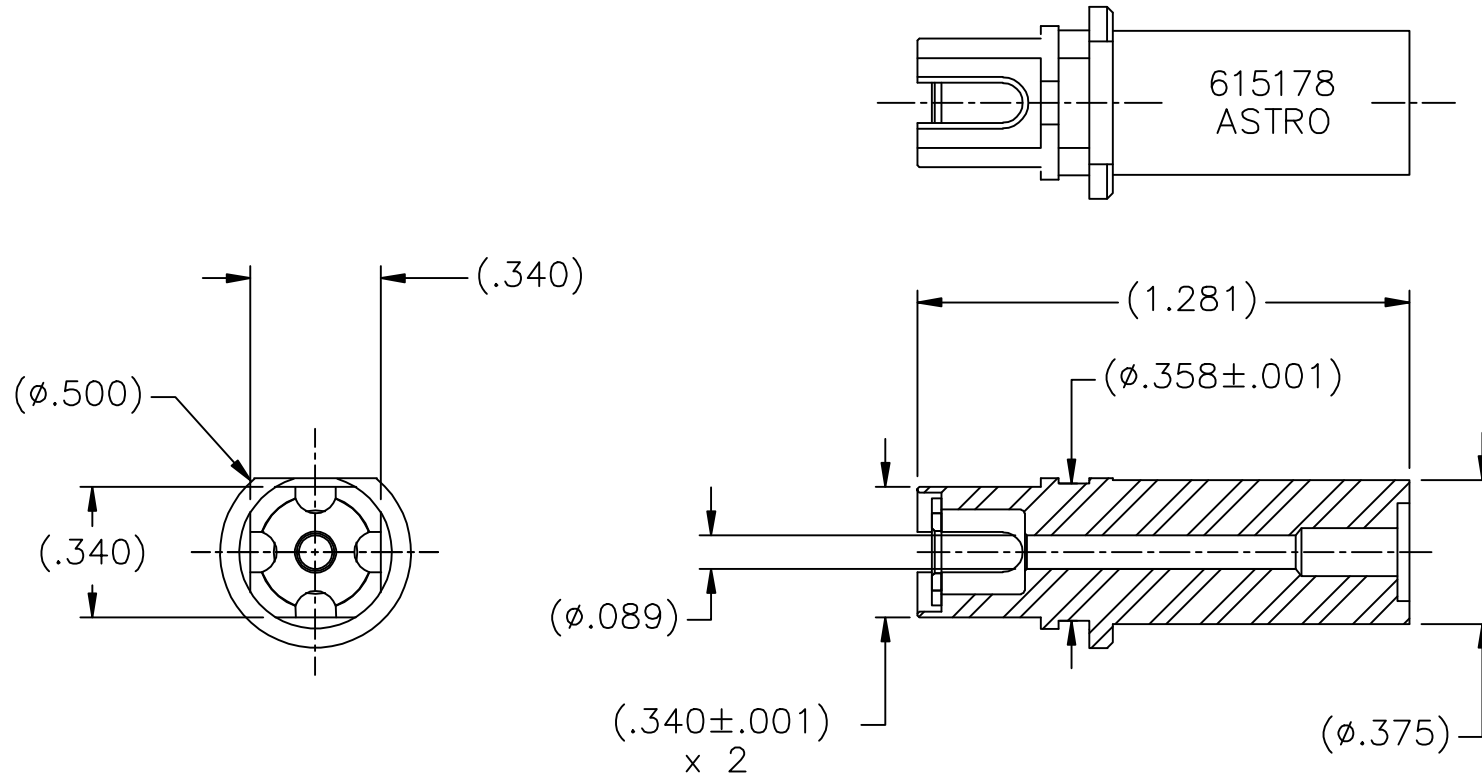


UNCONTROLLED DOCUMENT
WILL NOT BE UPDATED



NOTES: 1. THIS IS AN AUTOCAD DRAWING, DO NOT CHANGE MANUALLY.

THESE DRAWINGS, SPECIFICATIONS OR OTHER DATA ARE AND REMAIN, THE PROPERTY OF ASTRO TOOL CORP. AND MUST BE RETURNED UPON REQUEST. THEY CONTAIN INFORMATION OWNED AND/OR DEVELOPED BY ASTRO AT ITS OWN PRIVATE EXPENSE AND MAY NOT BE USED, DUPLICATED OR DISCLOSED TO OTHERS, IN WHOLE OR IN PART FOR DESIGN, MANUFACTURE OR PROCUREMENT WITHOUT THE WRITTEN PERMISSION OF ASTRO TOOL CORP. EACH AND EVERY TIME.

SCALE: N.T.S.
 DWN BY: DY0
 DATE: 07-05-12
 APPROVED:

UNLESS OTHERWISE SPECIFIED:
 DECIMALS:
 .XXX ± .005
 .XX ± .010
 .X ± .030
 ANGLES:
 ± 1°

ASTRO TOOL CORP.
 21615 S.W. TUALATIN VALLEY HWY., BEAVERTON OR 97006

CAGE 58164

DESCRIPTION: ENVELOPE DRAWING: 615178 POSITIONER ASS'Y

PART NO. A 615178-ENV

A	NEW RELEASE	DY0	07-05-12	MMK
REV.	DESCRIPTION	BY	DATE	APR.